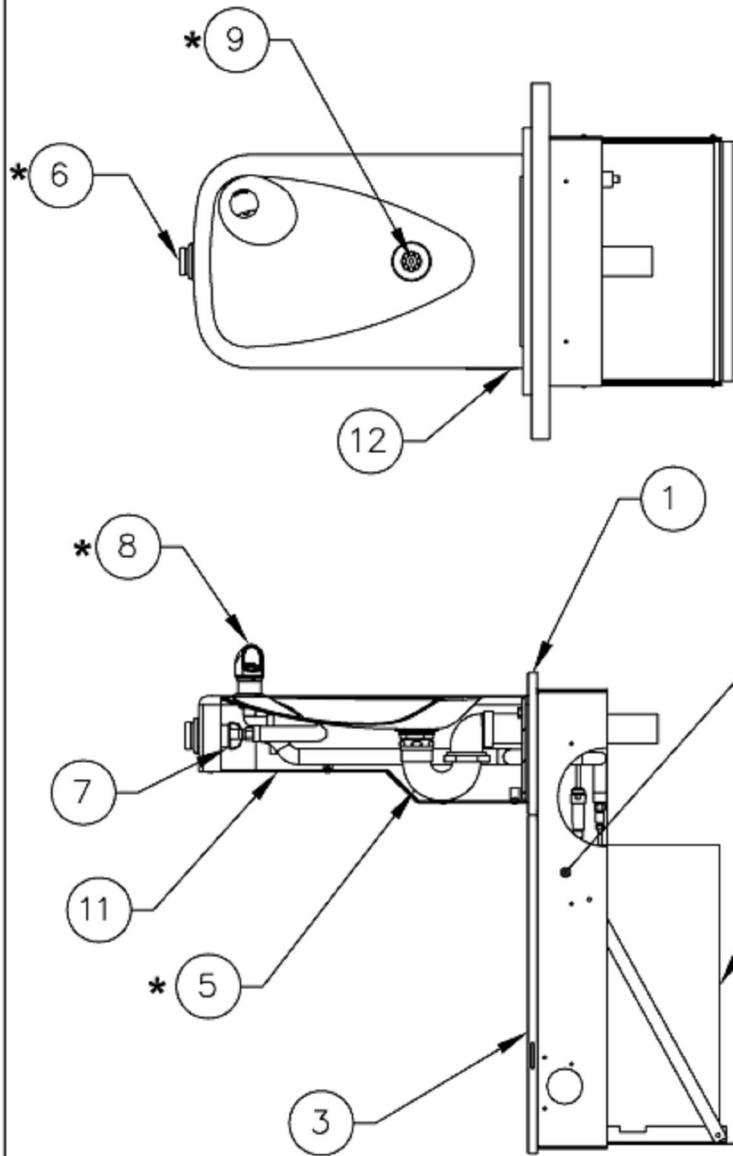
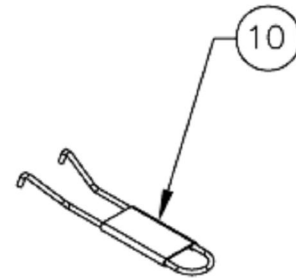


PARTS BREAKDOWN



ITEM	DESCRIPTION
1	BACK PANEL SMALL 0004023600
2	MOUNTING FRAME MTGFR.7
3	GRILLE 1107L P/N 0002626550
4	REMOTE CHILLER HCR8
*	5 TRAP ANTIMICROBIAL 0005982901
*	6 BUTTON ANTIMICROBIAL PBA6A
7	VALVE 5874
*	8 HEAD ANTIMICROBIAL 5703MA
*	9 STRAINER ANTIMICROBIAL 6462A
10	SPANNER WRENCH P/N 0006983508
11	BOTTOM PLATE P/N 0004449315
12	LABEL ANTIMICROBIAL 0003419795

Haws H1107-8



NOTE:

1. ASTERISK (*) DENOTES PARTS WITH AN ANTIMICROBIAL COATING.

www.DrinkingFountainDoctor.com
1-800-518-5388