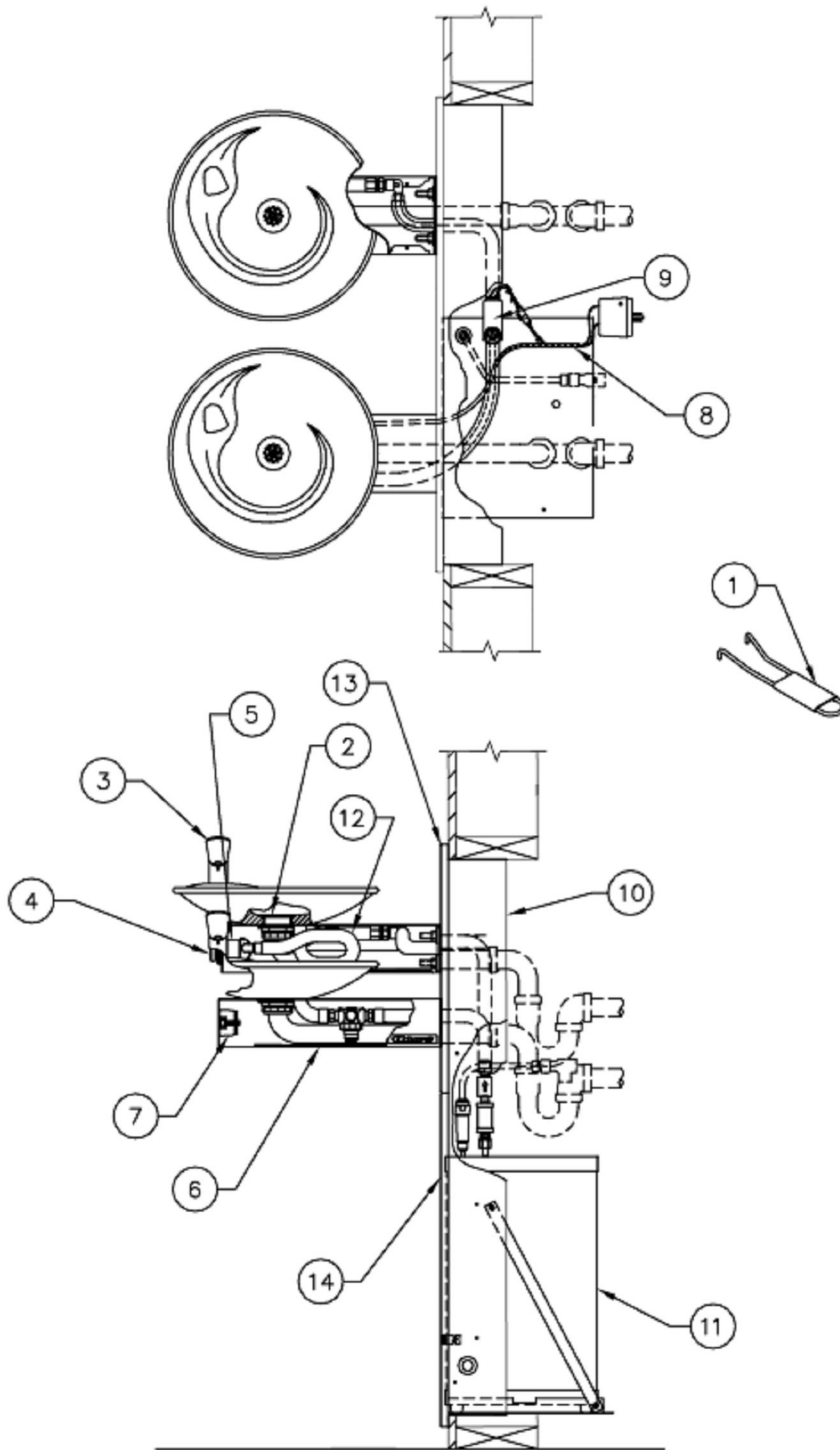


# PARTS BREAKDOWN

ITEM	DESCRIPTION
1	SPANNER WRENCH P/N 0006983506
2	STRAINER ASSY 6463
3	BUBBLER HEAD W/INSERT 5705
4	PUSH BUTTON ASSY PBA6
5	VALVE, 5874
6	ACCESS PLATE PBM1000
7	SENSOR VRKH01
8	WIRING HARNESS VRKH02
9	SOLENOID VRKH03
10	MOUNTING FRAME MTGFR.LG
11	CHILLER HCR8
12	PRESSURE REGULATOR 5867
13	BACK PANEL 0004012000
14	GRILLE 0002626651

Haws H1011-8HO



www.DrinkingFountainDoctor.com  
 1-800-518-5388