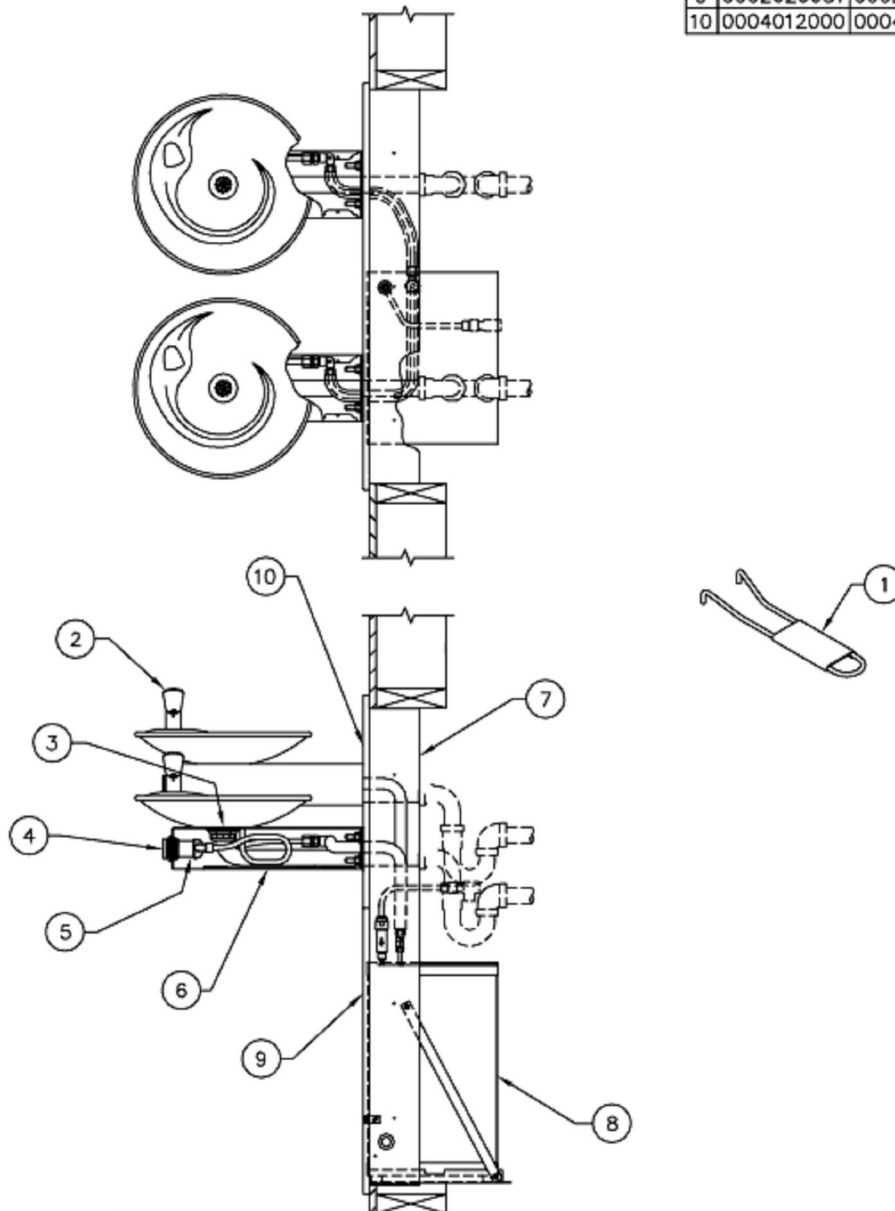


THIS DOCUMENT IS TRUE AND CORRECT AT TIME OF PUBLICATION. CONTINUED PRODUCT IMPROVEMENTS MAKE SPECIFICATIONS AND MEASUREMENTS SUBJECT TO CHANGE WITHOUT NOTICE.

ITEM	MODEL		DESCRIPTION
	H1011.8	H1011.8HPS	
1	0006983506	0006983506	SPANNER WRENCH
2	5705	5705	BUBBLER HEAD W/INSERT
3	6463	6463PCP	STRAINER ASSY
4	PBA6	PBA6	PUSH BUTTON ASSY
5	5874	5874	VALVE
6	PBM1000	PBM1000	ACCESS PLATE
7	MTGFR.LG	MTGFR.LG	MOUNTING FRAME
8	HCR8	HCR8	CHILLER
9	0002626651	0002626651	GRILLE
10	0004012000	0004012023	BACK PANEL

PARTS BREAKDOWN

Haws H1011-8



www.DrinkingFountainDoctor.com
1-800-518-5388