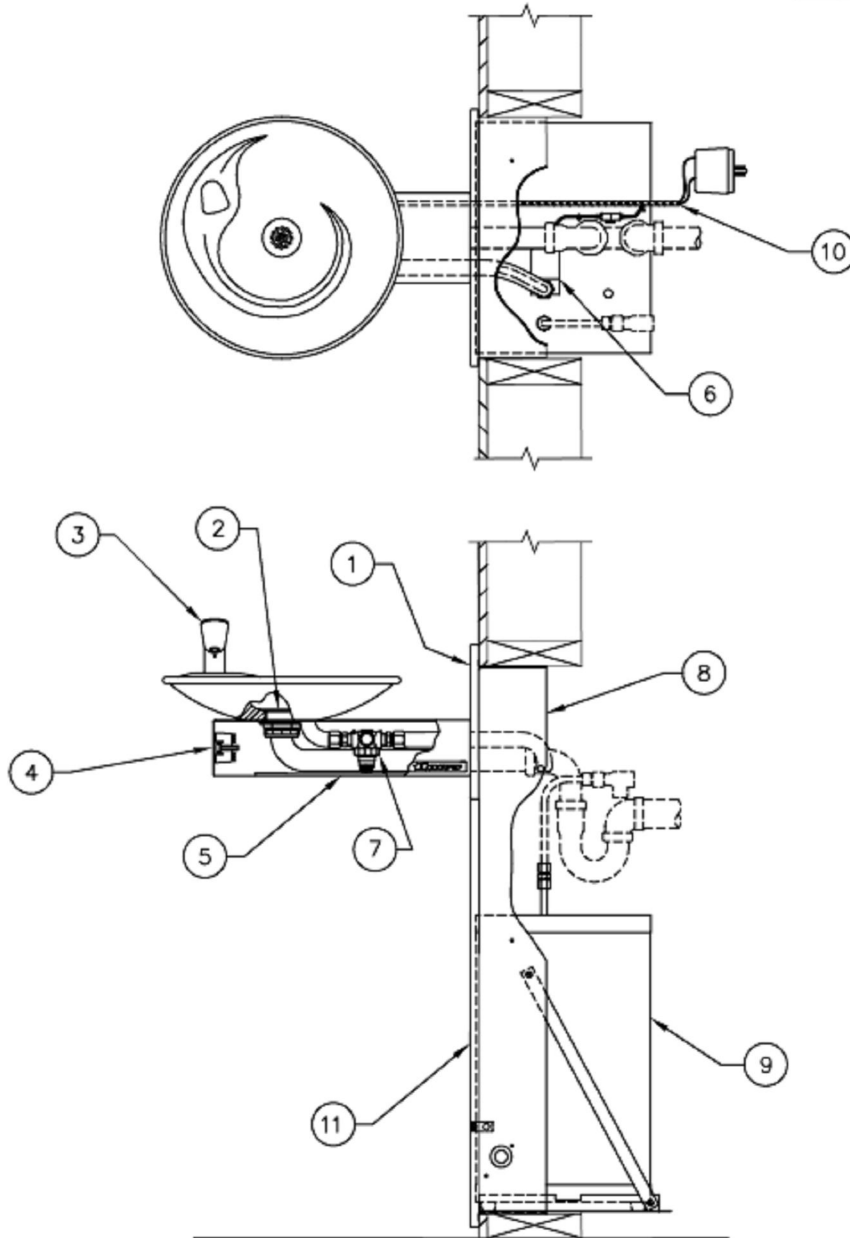


ITEM	DESCRIPTION
1	BACK PANEL BP6
2	STRAINER ASSY 6463
3	HEAD W/LAMINAR INSERT 5705
4	DIFFUSE REFLECTIVE SENSOR VRKH01
5	ACCESS PLATE PBM1000
6	SOLENOID VRKH03
7	PRESSURE REGULATOR 5867
8	MOUNTING FRAME MTGFR.SM
9	CHILLER HCR8
10	WIRING HARNESS VRKH02
11	GRILLE 0002626701.8

PARTS BREAKDOWN

Haws H1001-8HO



www.DrinkingFountainDoctor.com
1-800-518-5388

REV	DESCRIPTION	EQN	DATE	BY/APVD
REVISIONS				