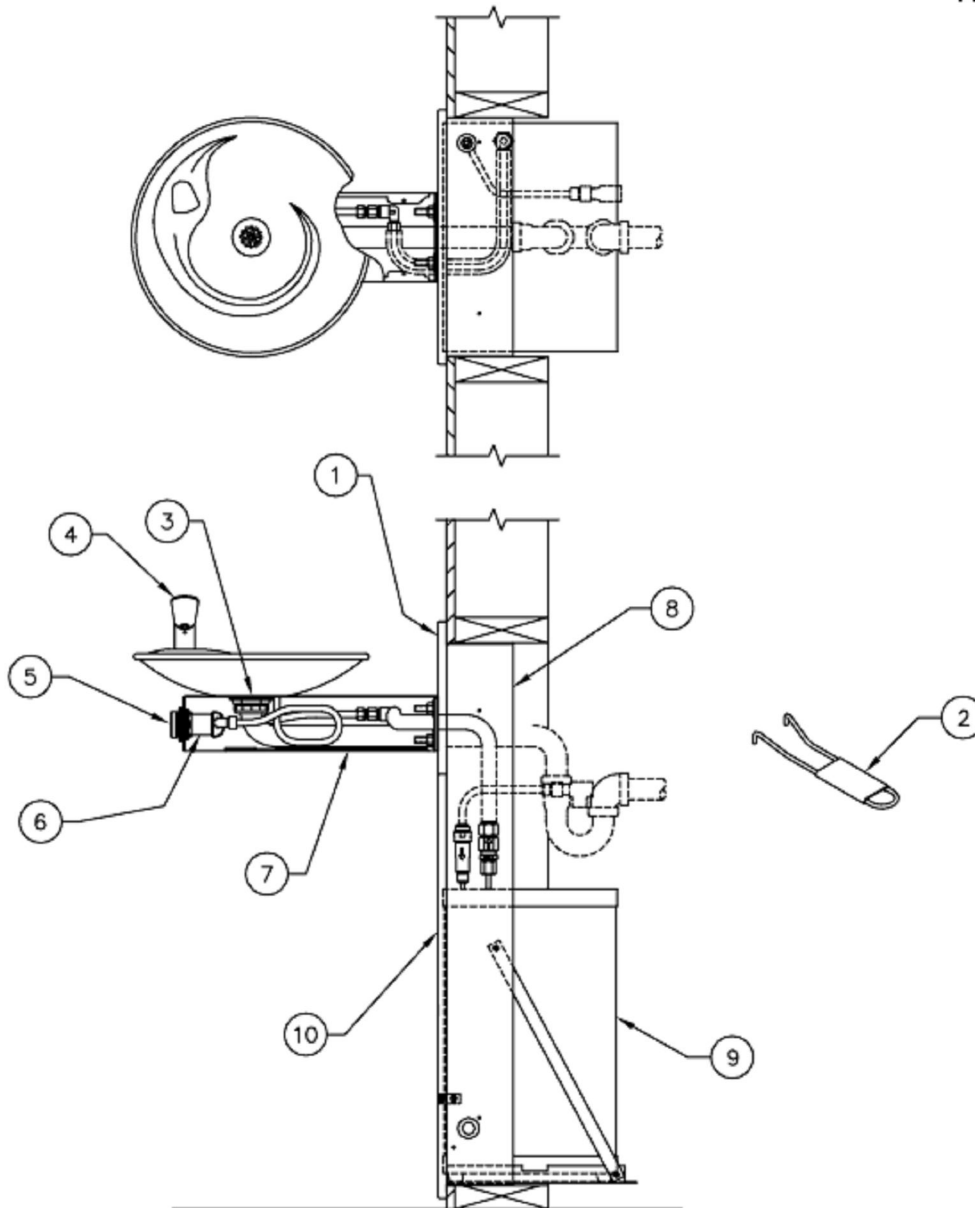


THIS DOCUMENT IS TRUE AND CORRECT AT TIME OF PUBLICATION. CONTINUED PRODUCT IMPROVEMENTS MAKE SPECIFICATIONS AND MEASUREMENTS SUBJECT TO CHANGE WITHOUT NOTICE.

| ITEM | MODEL      |            | DESCRIPTION           |
|------|------------|------------|-----------------------|
|      | H1001.8    | H1001.8HPS |                       |
| 1    | BP6        | BP6HPS     | BACK PANEL            |
| 2    | 0006983506 | 0006983506 | SPANNER WRENCH        |
| 3    | 6463       | 6463PCP    | STRAINER ASSY         |
| 4    | 5705       | 5705       | HEAD W/LAMINAR INSERT |
| 5    | PBA6       | PBA6       | PUSH BUTTON ASSY      |
| 6    | 5874       | 5874       | VALVE                 |
| 7    | PBM1000    | PBM1000    | ACCESS PLATE          |
| 8    | MTGFR.SM   | MTGFR.SM   | MOUNTING FRAME        |
| 9    | HCR8       | HCR8       | CHILLER               |
| 10   | 0002626701 | 0002626719 | GRILLE                |

# PARTS BREAKDOWN

Haws H1001-8



[www.DrinkingFountainDoctor.com](http://www.DrinkingFountainDoctor.com)  
1-800-518-5388