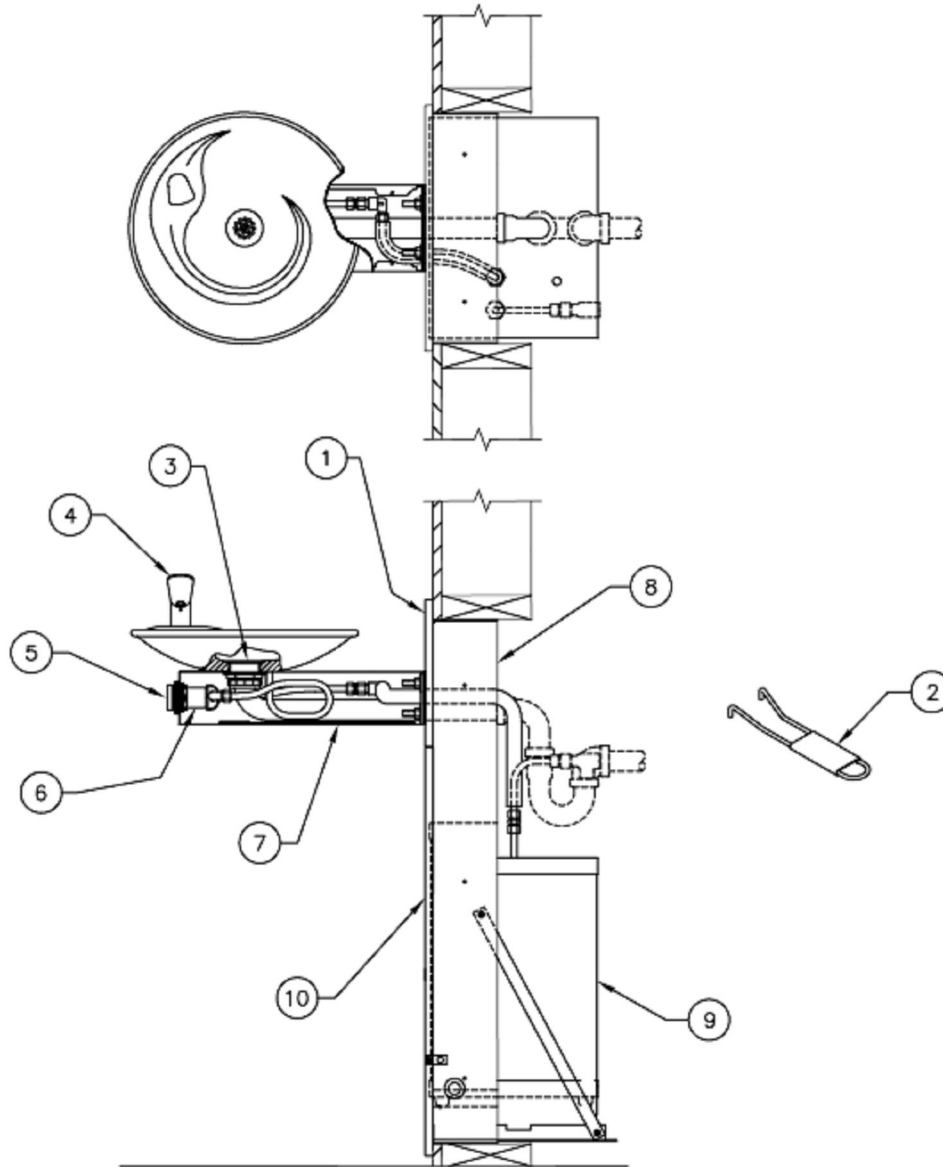


THIS DOCUMENT IS TRUE AND CORRECT AT TIME OF PUBLICATION. CONTINUED PRODUCT IMPROVEMENTS MAKE SPECIFICATIONS AND MEASUREMENTS SUBJECT TO CHANGE WITHOUT NOTICE.

ITEM	MODEL			DESCRIPTION
	H1000.8	H1001.8	H1001.8HPS	
1	BP1	BP6	BP6HPS	BACK PANEL
2	0006983506	0006983506	0006983506	SPANNER WRENCH
3	6463HPB	6463	6463PCP	STRAINER ASSY
4	5705HPB	5705	5705	HEAD W/LAMINAR INSERT
5	PBA6HPB	PBA6	PBA6	PUSH BUTTON ASSY
6	5874	5874	5874	VALVE
7	PBM1000	PBM1000	PBM1000	ACCESS PLATE
8	MTGFR.SM	MTGFR.SM	MTGFR.SM	MOUNTING FRAME
9	HCR8	HCR8	HCR8	CHILLER
10	0002626721	0002626701	0002626719	GRILLE

PARTS BREAKDOWN

Haws H1000-8



www.DrinkingFountainDoctor.com
1-800-518-5388

REV	DESCRIPTION	ECH	DATE	BY/APVD
REVISIONS				