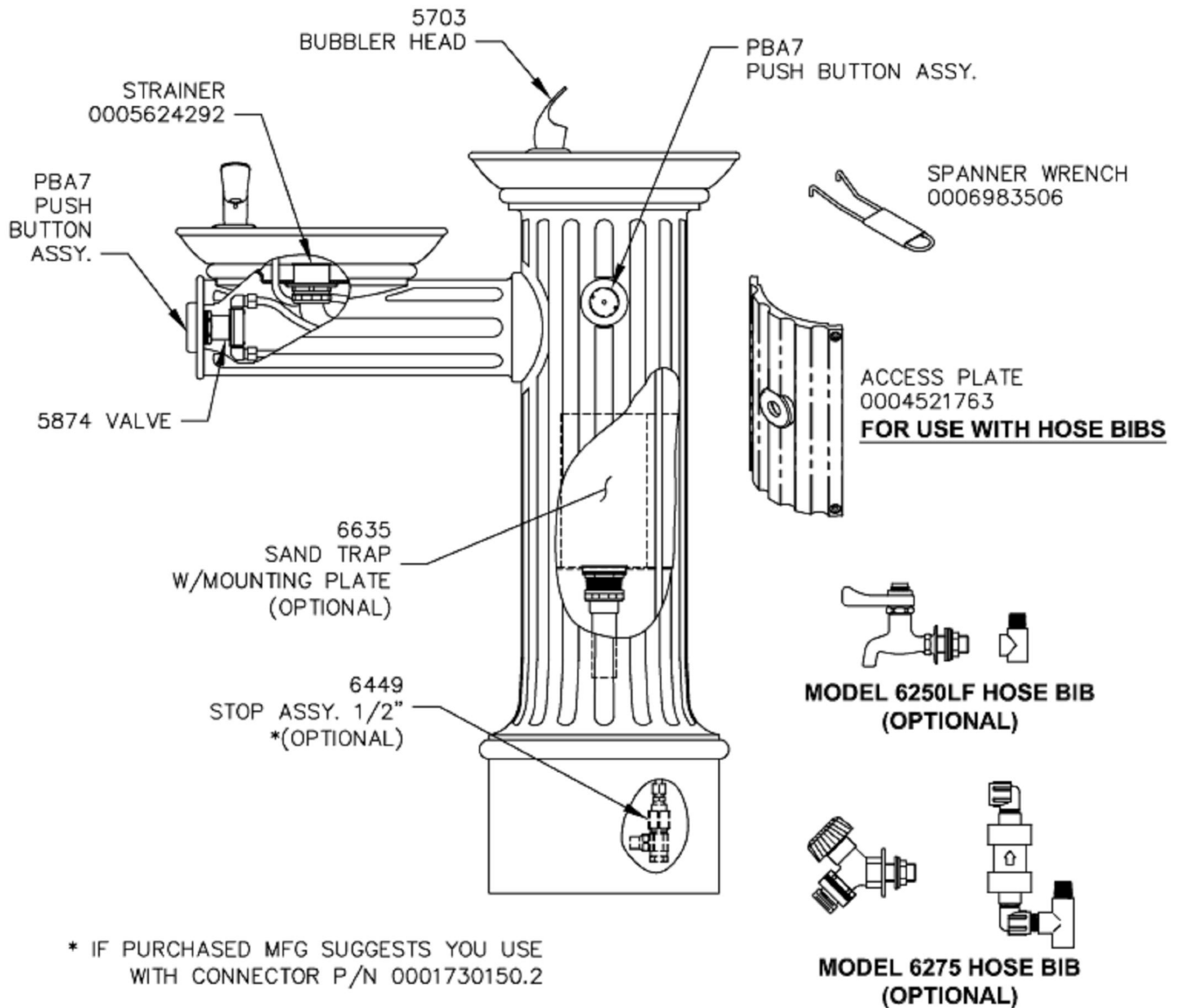


# PARTS BREAKDOWN

Haws 3511



\* IF PURCHASED MFG SUGGESTS YOU USE WITH CONNECTOR P/N 0001730150.2

**IMPORTANT: IF EITHER HOSE BIB IS USED IT MUST BE USED WITH SAND TRAP 6611. CANNOT OFFER HOSE BIBS AS AN OPTION WITH SAND TRAP 6635. IF A HOSE BIB IS PURCHASED, ACCESS PLATE 0004521763 MUST BE USED.**

[www.DrinkingFountainDoctor.com](http://www.DrinkingFountainDoctor.com)  
1-800-518-5388