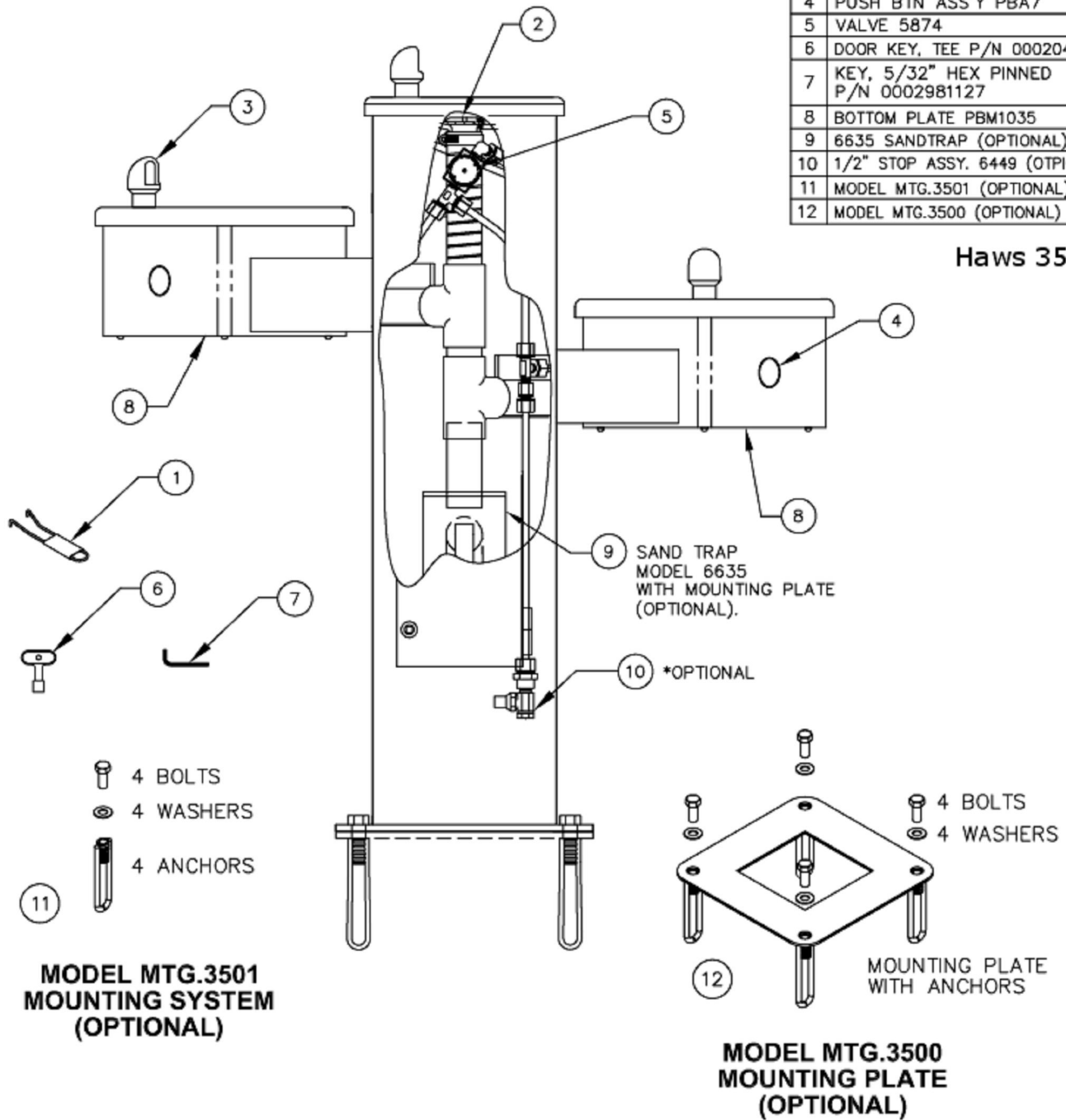


ITEM	DESCRIPTION
1	SPANNER WRENCH P/N 0006983506
2	STRAINER, 6452
3	BUBBLER HEAD 5703
4	PUSH BTN ASS'Y PBA7
5	VALVE 5874
6	DOOR KEY, TEE P/N 0002049640
7	KEY, 5/32" HEX PINNED P/N 0002981127
8	BOTTOM PLATE PBM1035
9	6635 SANDTRAP (OPTIONAL).
10	1/2" STOP ASSY. 6449 (OPTIONAL)
11	MODEL MTG.3501 (OPTIONAL)
12	MODEL MTG.3500 (OPTIONAL)

PARTS BREAKDOWN

Haws 3502



* IF PURCHASED MFG SUGGESTS YOU USE WITH CONNECTOR P/N 0001730150.2

www.DrinkingFountainDoctor.com
1-800-518-5388