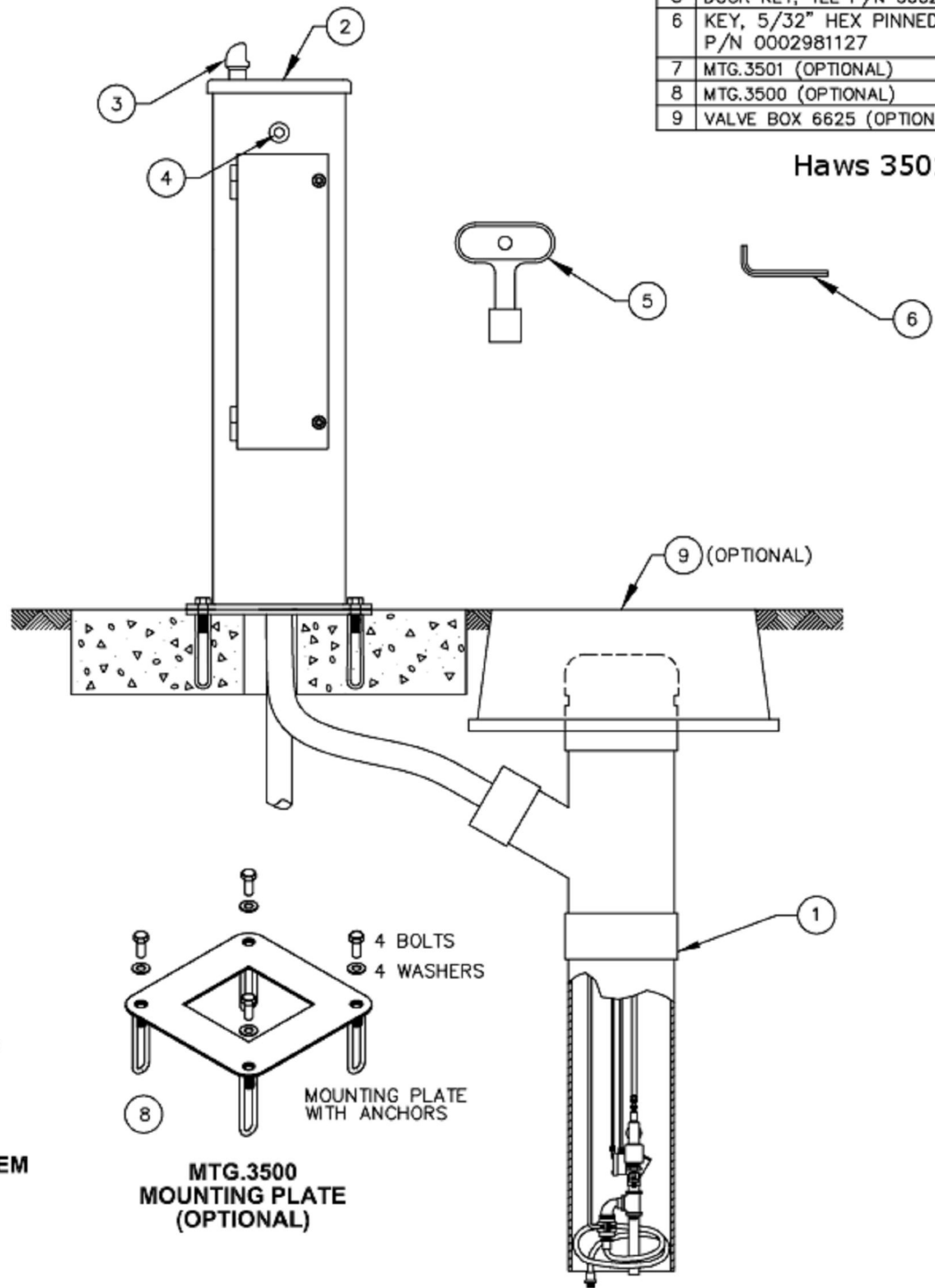







ITEM	DESCRIPTION
1	VALVE 6518FR
2	STRAINER ASSY 6452
3	BUBBLER HEAD 5703M
4	PUSH BTN ASS'Y 5881PBA
5	DOOR KEY, TEE P/N 0002049640
6	KEY, 5/32" HEX PINNED P/N 0002981127
7	MTG.3501 (OPTIONAL)
8	MTG.3500 (OPTIONAL)
9	VALVE BOX 6625 (OPTIONAL)

# PARTS BREAKDOWN

Haws 3501FR



 4 BOLTS  
 4 WASHERS  
 4 ANCHORS  
**7**  
**MTG.3501**  
**MOUNTING SYSTEM**  
**(OPTIONAL)**

 4 BOLTS  
 4 WASHERS  
**8**  
**MTG.3500**  
**MOUNTING PLATE**  
**(OPTIONAL)**  
 MOUNTING PLATE  
 WITH ANCHORS

[www.DrinkingFountainDoctor.com](http://www.DrinkingFountainDoctor.com)  
 1-800-518-5388