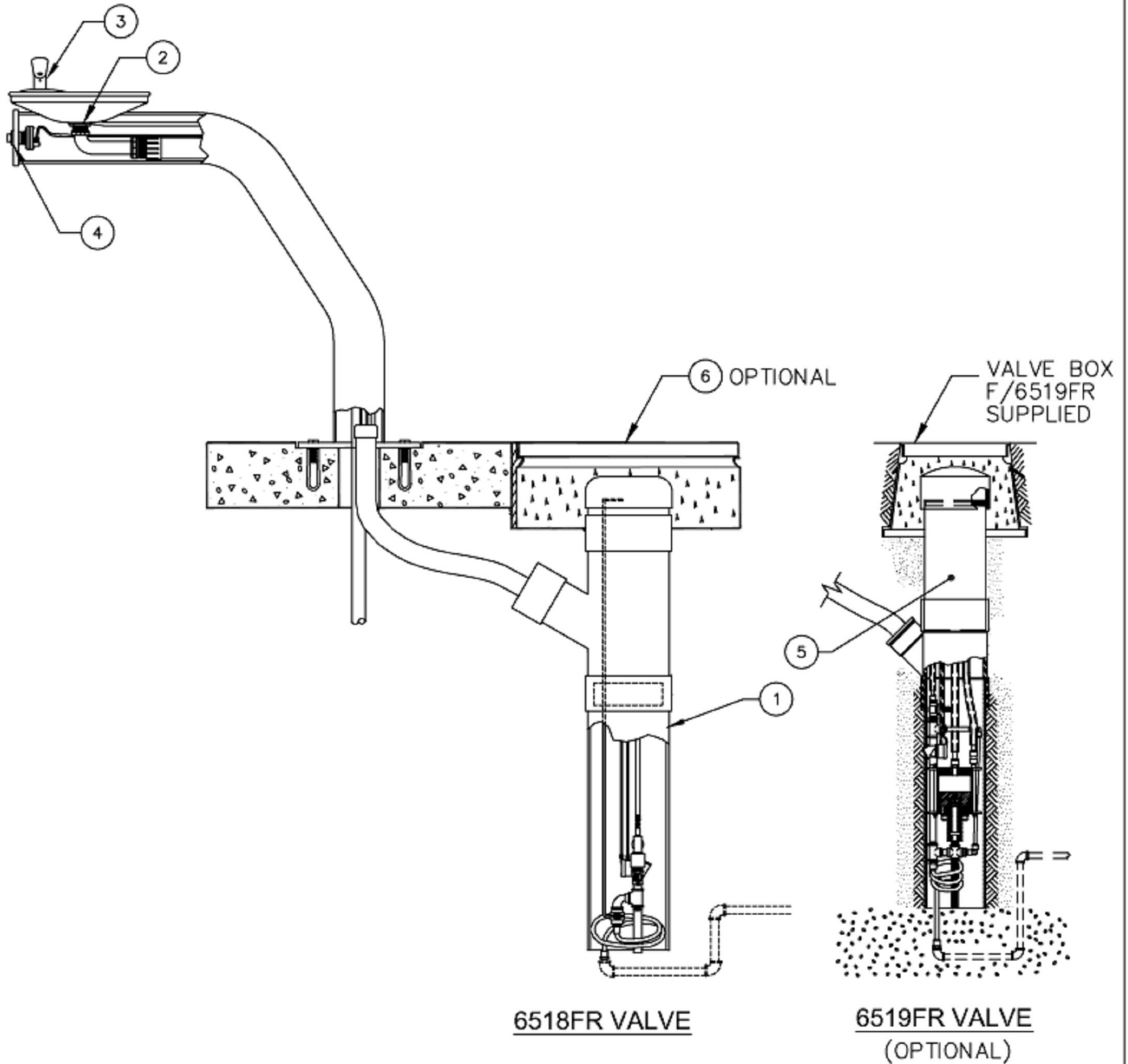


ITEM	DESCRIPTION
1	VALVE 6518FR
2	STRAINER 0005624292
3	BUBBLER HEAD 5705FR
4	PUSH BTN ASS'Y 5881PBA
5	VALVE 6519FR (OPTIONAL)
6	VALVE BOX 6625 (OPTIONAL)

PARTS BREAKDOWN

3380FR/3380GFR WITH 6518FR OR 6519FR

Haws 3380FR



www.DrinkingFountainDoctor.com
1-800-518-5388