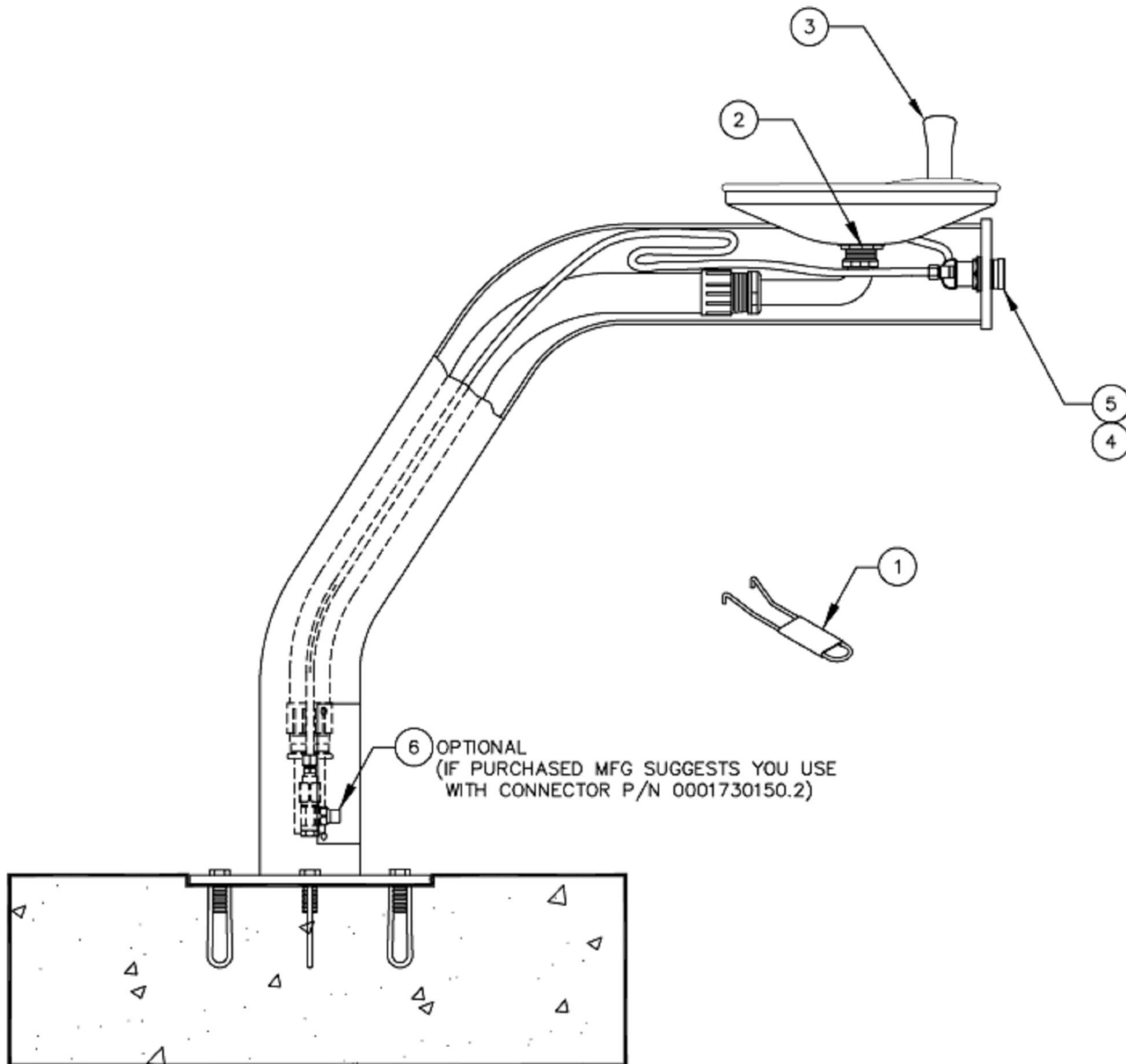


ITEM	DESCRIPTION
1	SPANNER WRENCH P/N 0006983506
2	STRAINER 0005624292
3	BUBBLER HEAD 5705
4	PUSH BTN ASS'Y PBA7
5	VALVE 5874
6	1/2" STOP ASSY. 6449

# PARTS BREAKDOWN

Haws 3380



www.DrinkingFountainDoctor.com  
1-800-518-5388