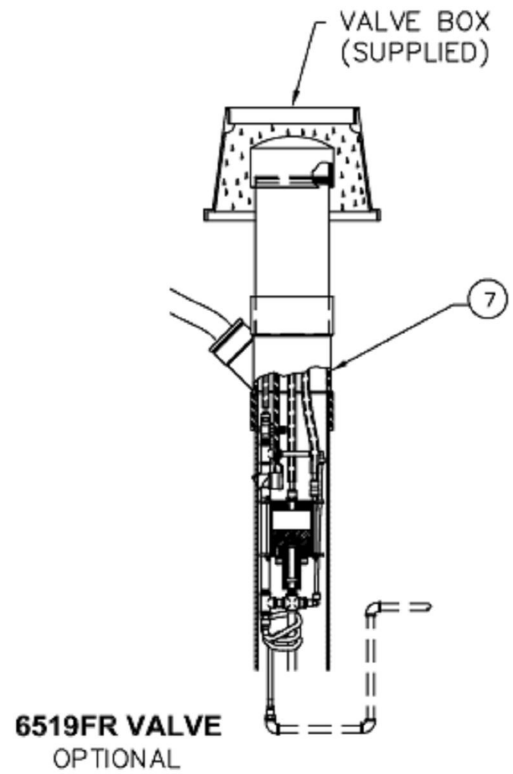
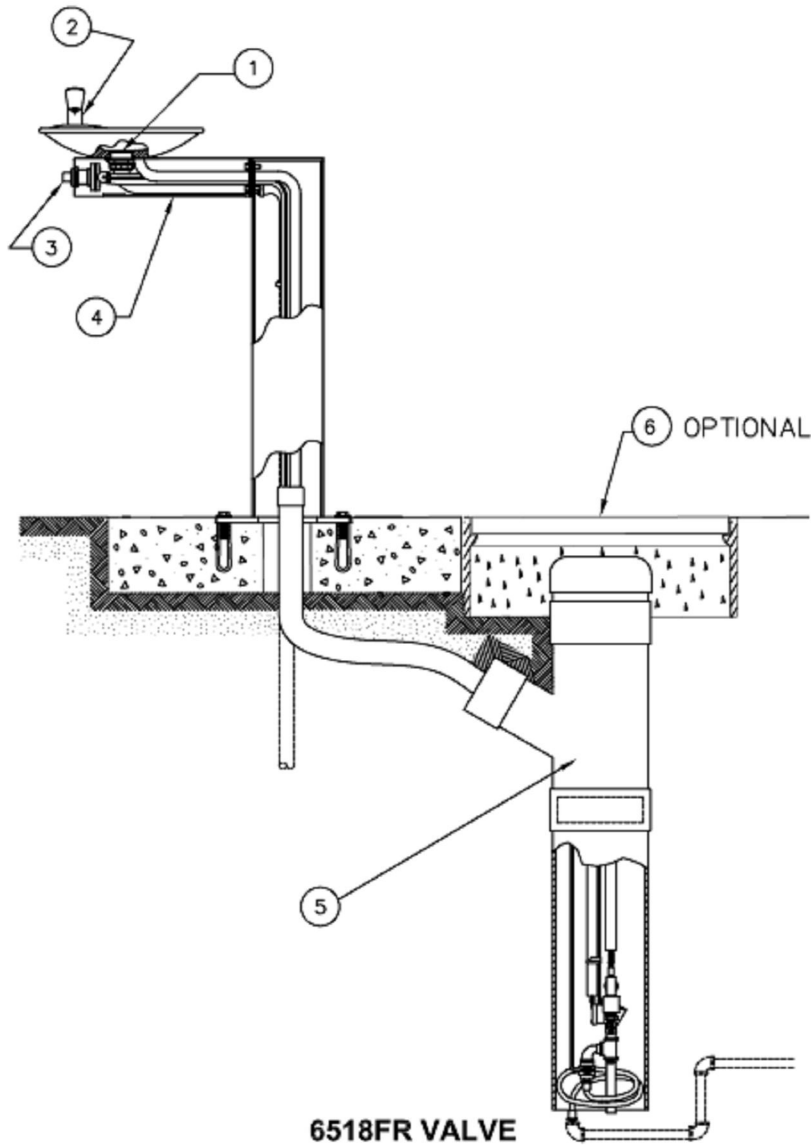


| ITEM | DESCRIPTION                   |
|------|-------------------------------|
| 1    | STRAINER ASSY 6463            |
| 2    | BUBBLER HEAD 5705FR           |
| 3    | PUSH BUTTON ASSY 5881PBA      |
| 4    | BOTTOM PLATE PBM1000          |
| 5    | VALVE ASSY. 6518FR            |
| 6    | 6625 VALVE BOX (OPTIONAL)     |
| 7    | VALVE ASSY. 6519FR (OPTIONAL) |

# PARTS BREAKDOWN

Haws 3377FR



[www.DrinkingFountainDoctor.com](http://www.DrinkingFountainDoctor.com)  
1-800-518-5388