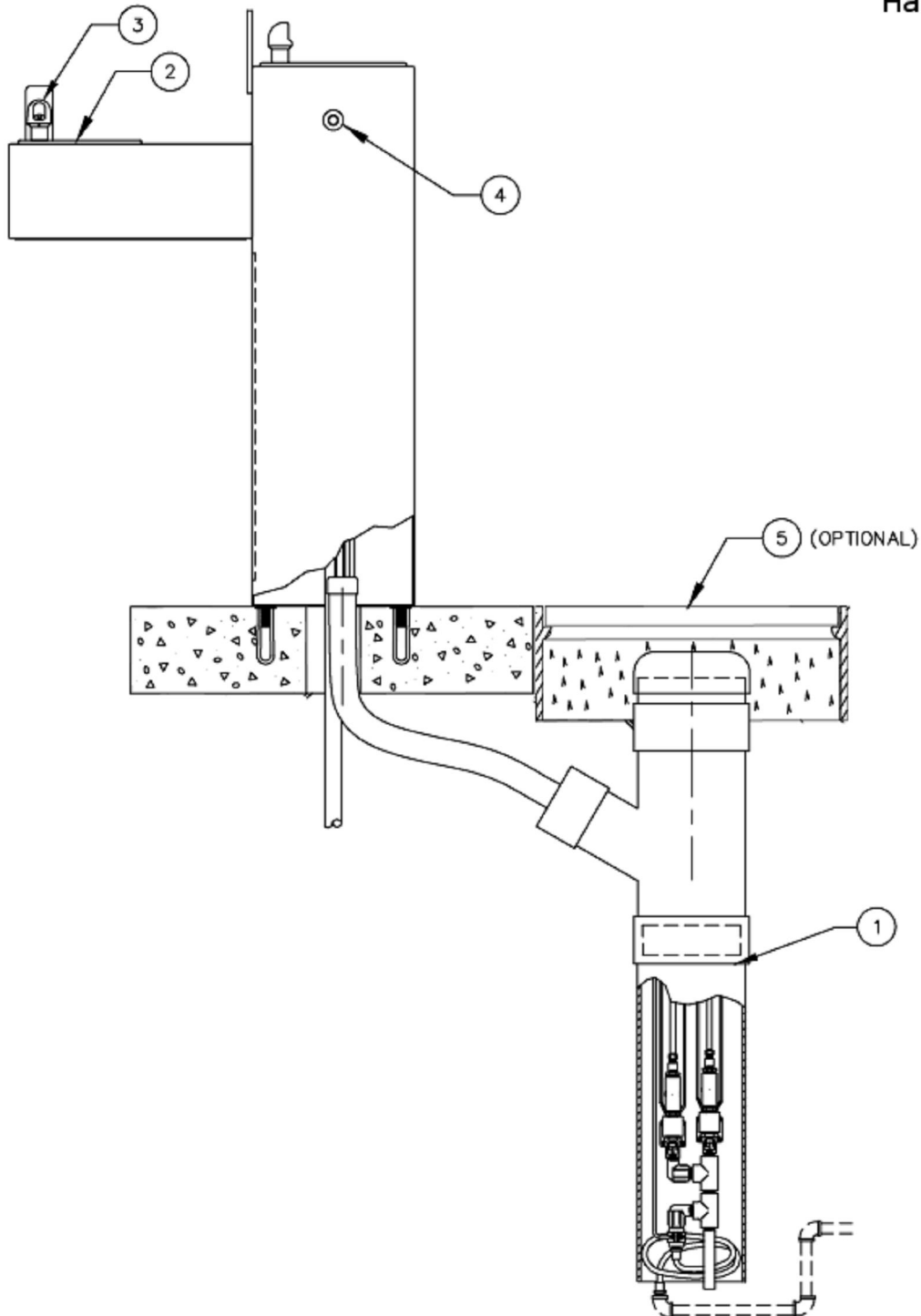


ITEM	DESCRIPTION
1	VALVE 6518.2FR
2	STRAINER ASSY 6466
3	BUBBLER HEAD 5703M
4	PUSH BTN ASS'Y 5881PBA
5	VALVE BOX 6625 (OPTIONAL)

PARTS BREAKDOWN

Haws 3300FR



www.DrinkingFountainDoctor.com
1-800-518-5388