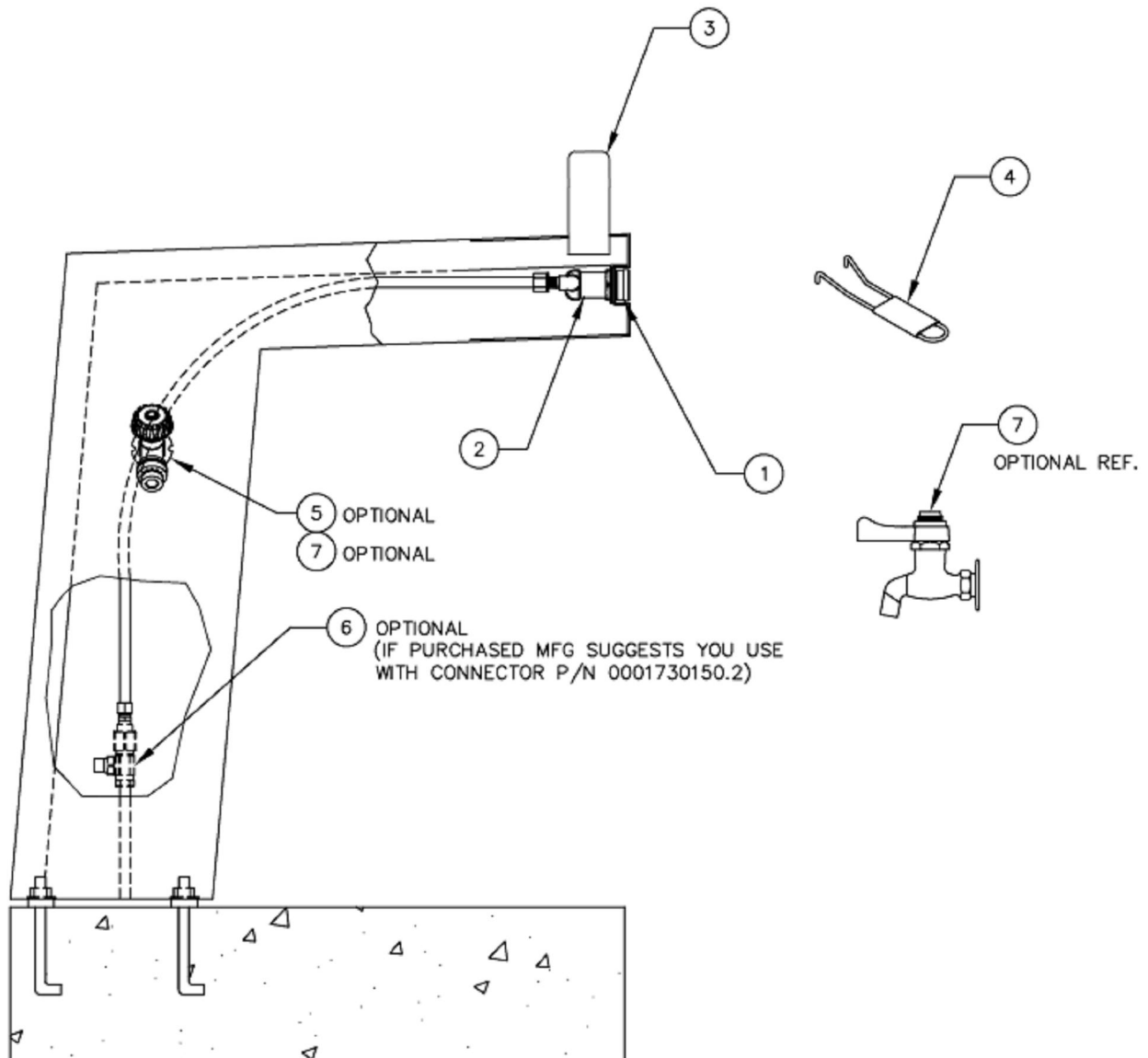


ITEM	DESCRIPTION
1	PUSH BTN ASS'Y PBA7
2	VALVE 5874
3	BUBBLER HEAD 5703M
4	SPANNER WRENCH P/N 0006983506
5	HOSE BIB 6275 (OPTIONAL)
6	1/2" STOP ASSY. 6449 (OPTIONAL)
7	BIB FAUCET 6250LF (OPTIONAL)

PARTS BREAKDOWN

Haws 3202G



www.DrinkingFountainDoctor.com
1-800-518-5388