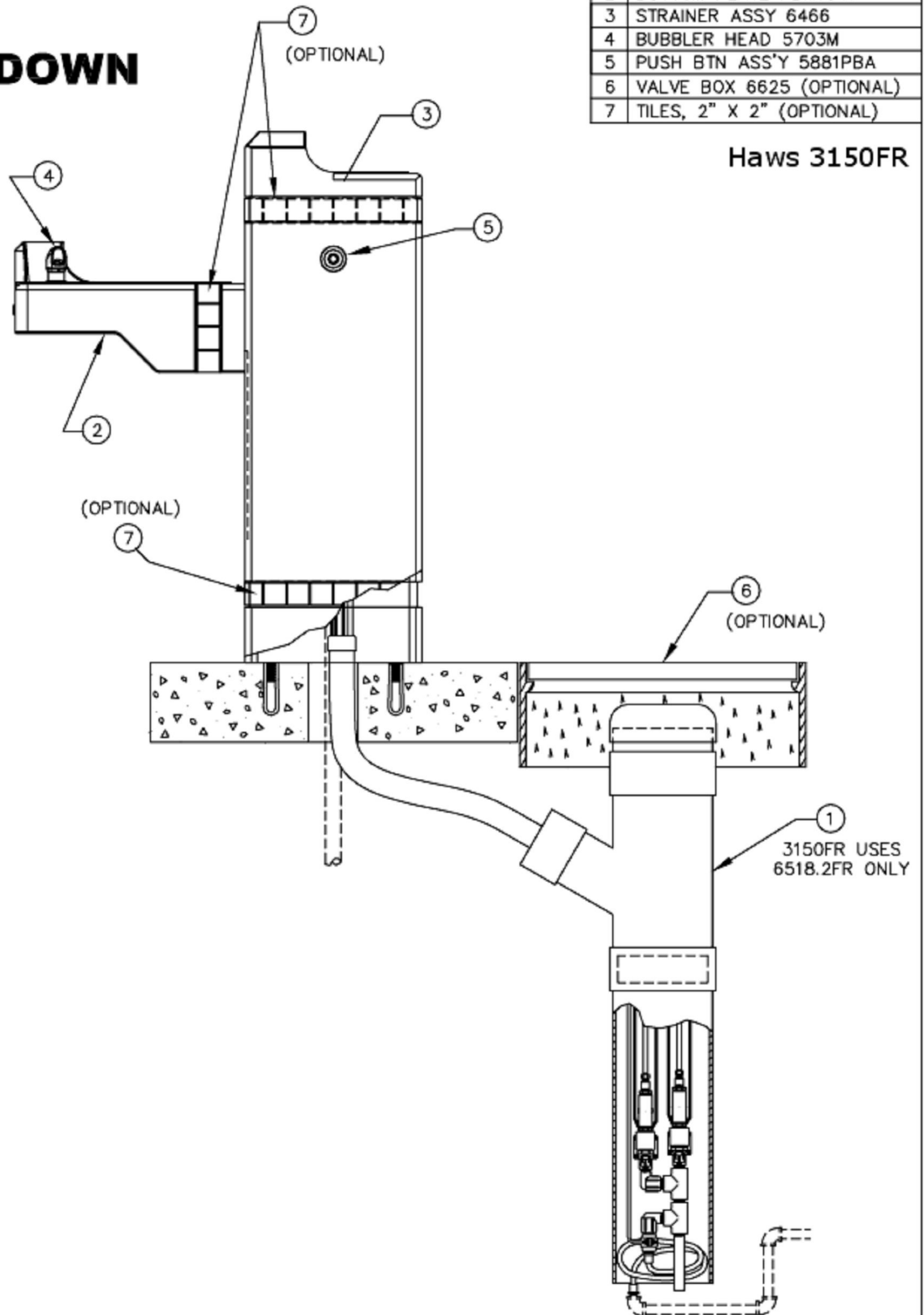


ITEM	DESCRIPTION
1	VALVE 6518.2FR
2	BOTTOM PLATE PBM1047
3	STRAINER ASSY 6466
4	BUBBLER HEAD 5703M
5	PUSH BTN ASS'Y 5881PBA
6	VALVE BOX 6625 (OPTIONAL)
7	TILES, 2" X 2" (OPTIONAL)

PARTS BREAKDOWN

Haws 3150FR



www.DrinkingFountainDoctor.com
1-800-518-5388