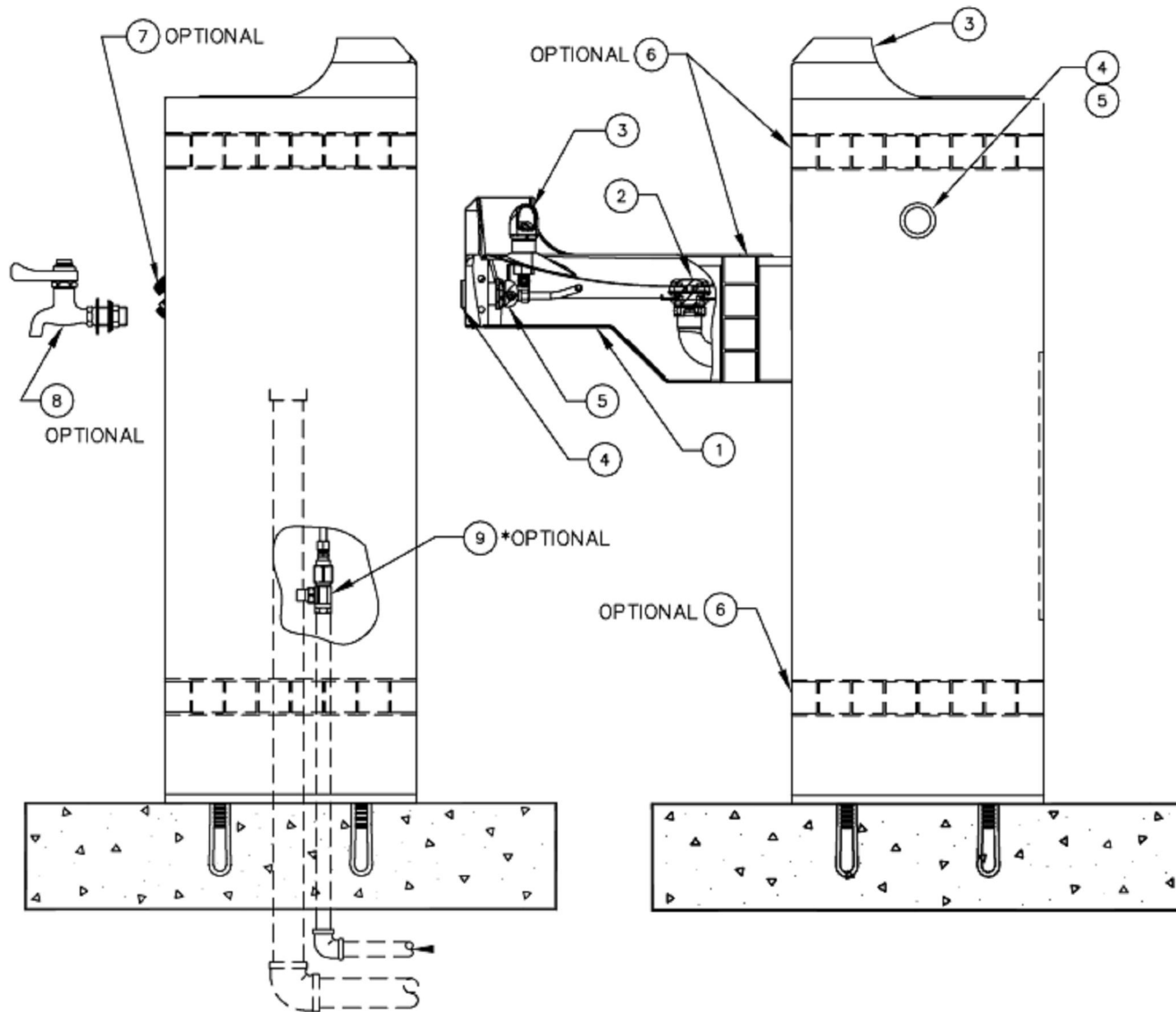


ITEM	DESCRIPTION
1	BOTTOM PLATE PBM1047
2	STRAINER ASSY 6466
3	BUBBLER HEAD 5703M
4	PUSH BTN ASS'Y PBA7
5	VALVE 5874
6	TILE (OPTIONAL)
7	HOSE BIB 6275 (OPTIONAL)
8	BIB 6250.60LF (OPTIONAL)
* 9	STOP ASSY, 1/2" X 1/4" 6449

# PARTS BREAKDOWN

Haws 3150



PATENT NO. 353,739

www.DrinkingFountainDoctor.com  
1-800-518-5388