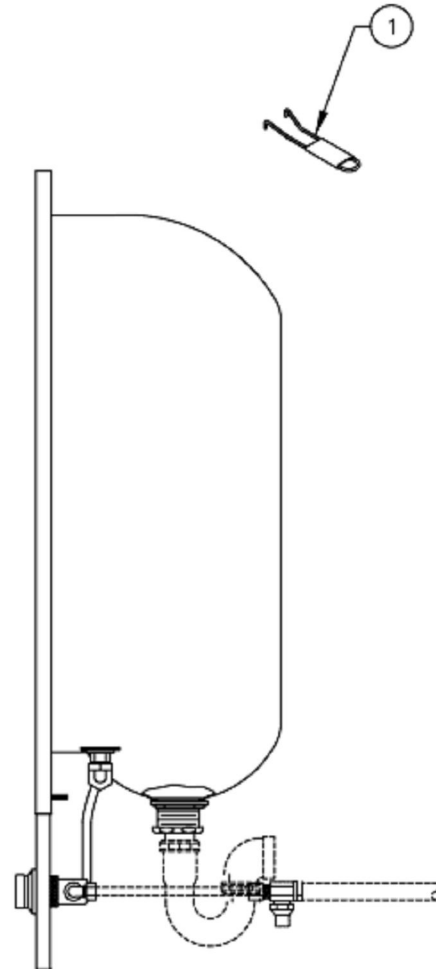
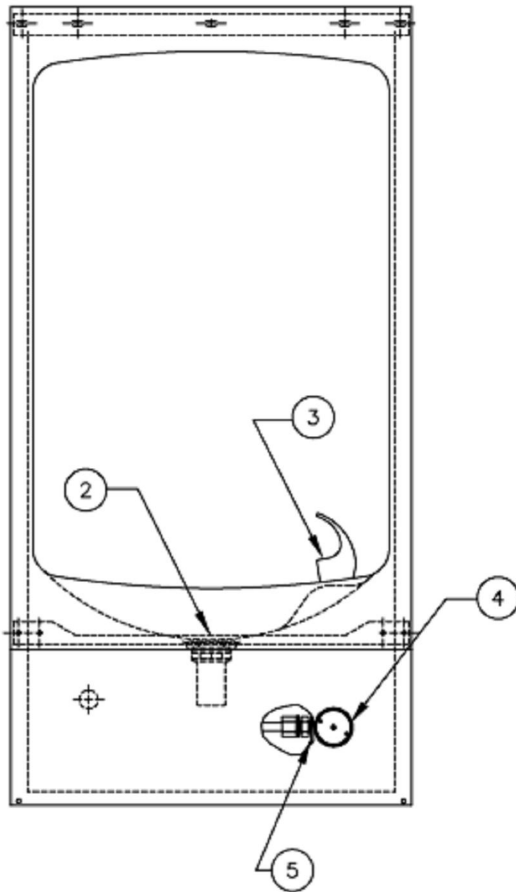


ITEM	DESCRIPTION
1	SPANNER WRENCH P/N 0006983506
2	STRAINER ASSY 6454
3	BUBBLER HEAD 5705
4	PUSH BTN ASS'Y PBA6
5	VALVE 5874

PARTS BREAKDOWN

Haws 2400



www.DrinkingFountainDoctor.com
1-800-518-5388