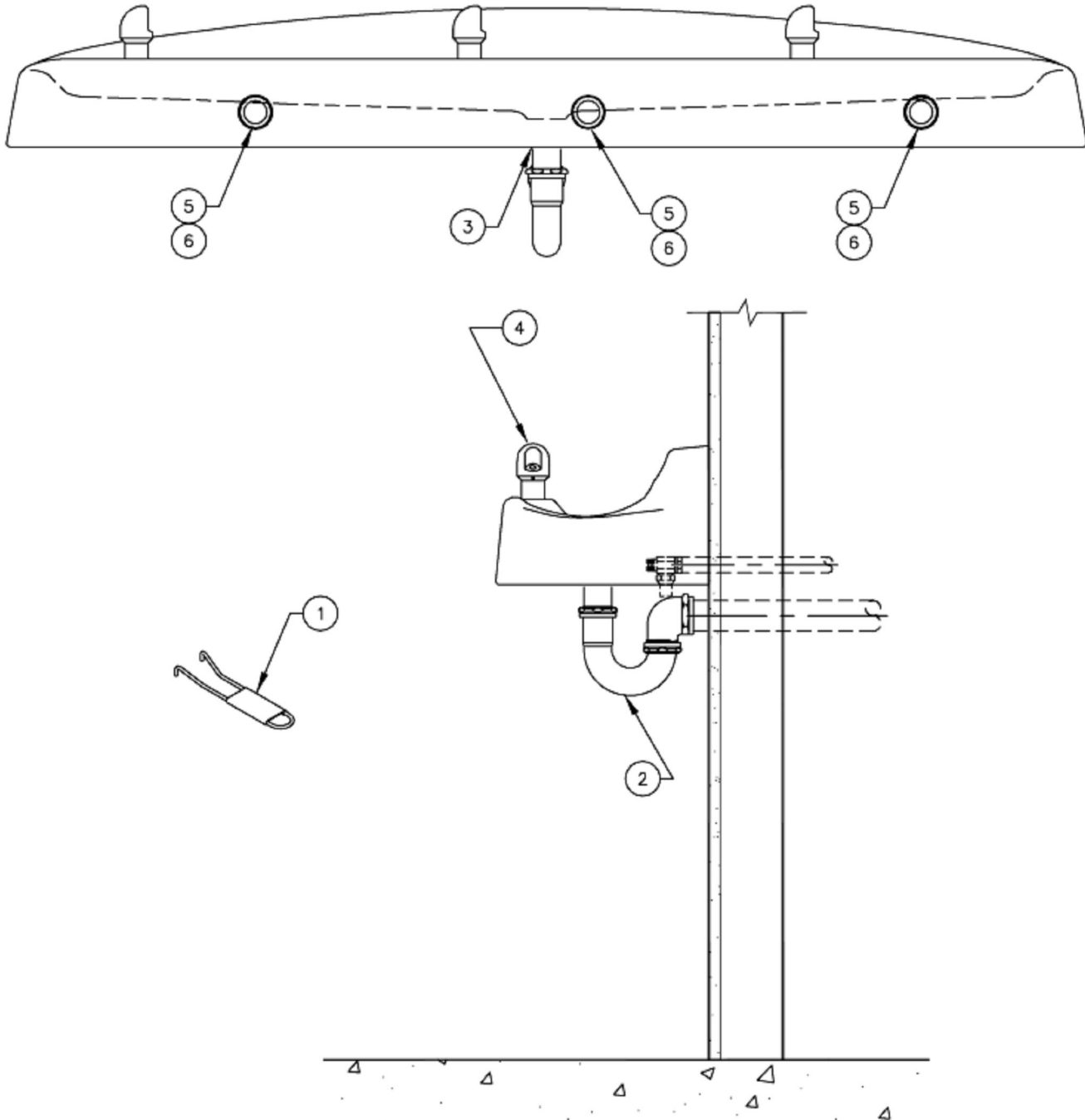


THIS DOCUMENT IS TRUE AND CORRECT AT TIME OF PUBLICATION. CONTINUED PRODUCT IMPROVEMENTS MAKE SPECIFICATIONS AND MEASUREMENTS SUBJECT TO CHANGE WITHOUT NOTICE.

ITEM	DESCRIPTION
1	SPANNER WRENCH
2	TRAP P/N 0005987000
3	STRAINER ASSY 6454
4	BUBBLER HEAD 5703M
5	PUSH BTN ASS'Y PBA7
6	VALVE 5874

PARTS BREAKDOWN

Haws 1408



www.DrinkingFountainDoctor.com
1-800-518-5388