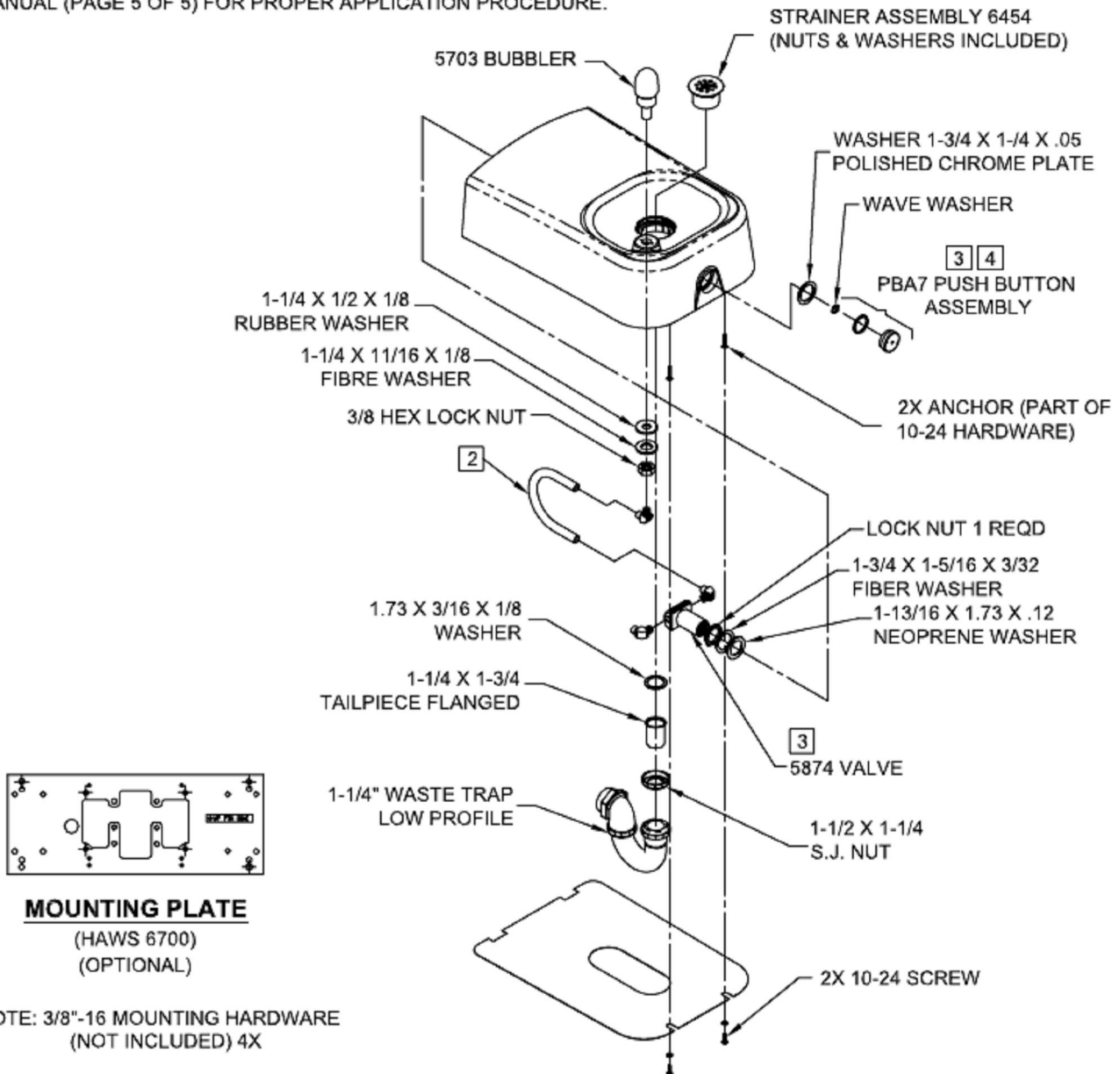


PARTS BREAKDOWN

Haws 1311

NOTES:

1. CUT TUBING TO FIT AS REQUIRED.
2. CONNECT CLEAR "POLYETHYLENE" TUBING ON FREE FLOW SIDE (VALVE TO BUBBLER HEAD) ONLY.
3. REFER TO 5874/VRK5874 OPERATION AND MAINTENANCE MANUAL FOR INSTALLATION INSTRUCTIONS.
4. MUST APPLY 1 DOT OF LOCTITE 222MS THREADLOCKER ON FEMALE THREADS OF PUSH BUTTON. SEE 5874 OPERATION AND MAINTENANCE MANUAL (PAGE 5 OF 5) FOR PROPER APPLICATION PROCEDURE.



NOTE: 3/8"-16 MOUNTING HARDWARE (NOT INCLUDED) 4X

www.DrinkingFountainDoctor.com
1-800-518-5388