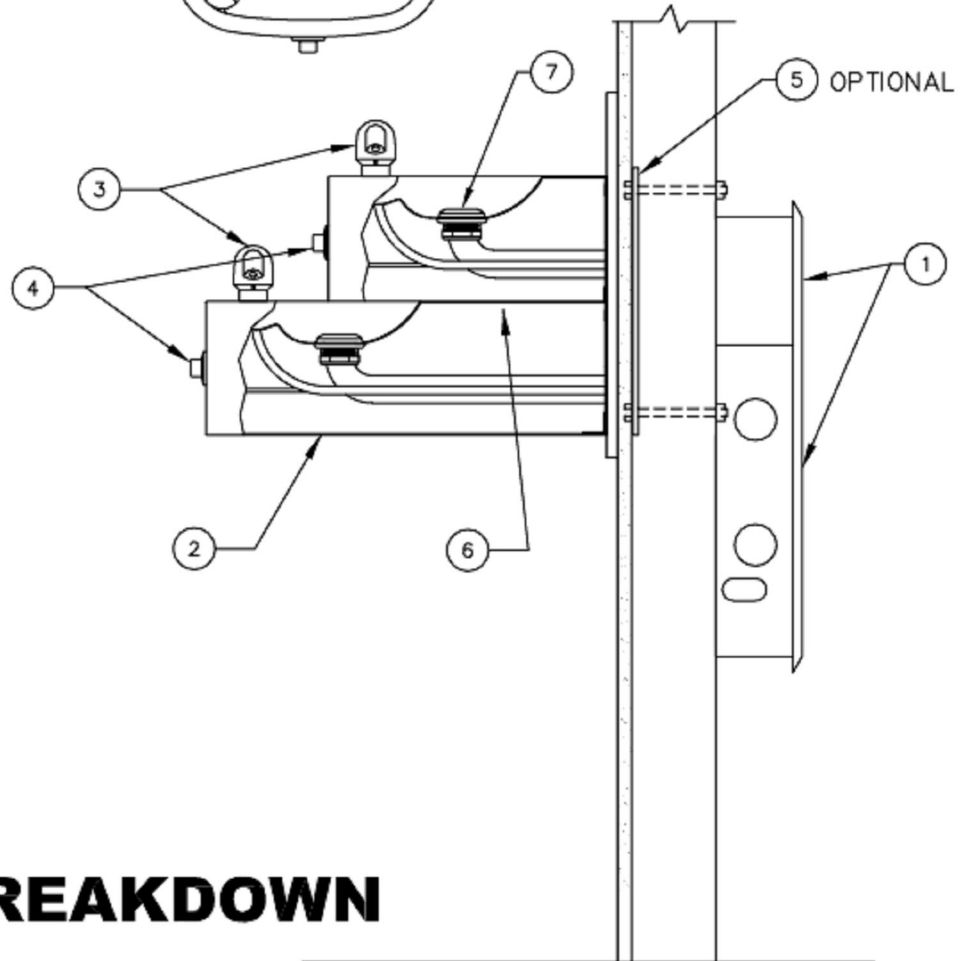
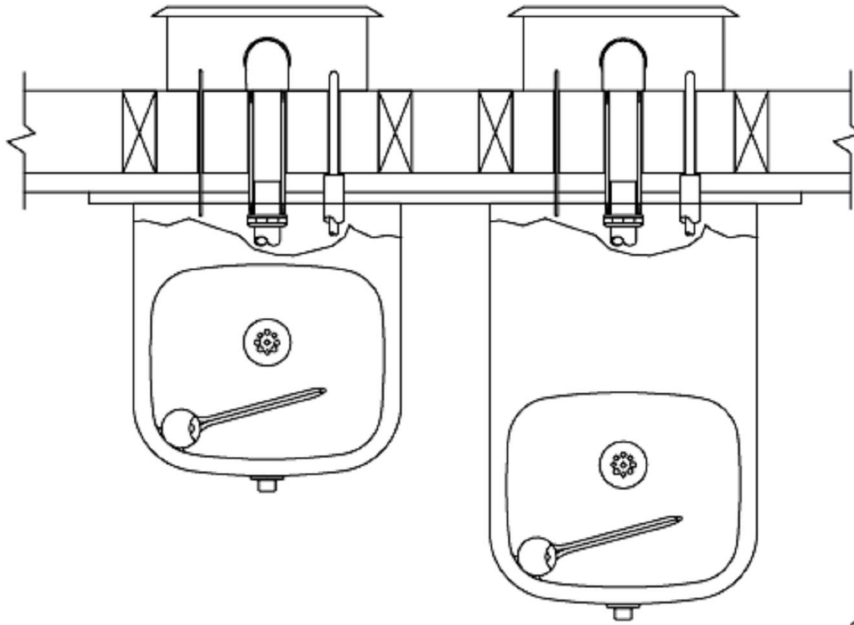


THIS DOCUMENT IS TRUE AND CORRECT AT TIME OF PUBLICATION. CONTINUED PRODUCT IMPROVEMENTS MAKE SPECIFICATIONS AND MEASUREMENTS SUBJECT TO CHANGE WITHOUT NOTICE.

ITEM	DESCRIPTION
1	VALVE 6521FR
2	BOTTOM PLATE PBM 1105
3	BUBBLER HEAD 5703M
4	PUSH BTN ASS'Y 5881PBA
5	MOUNTING PLATE 6700.4
6	BOTTOM PLATE PBM1109
7	WASTE STRAINER ASSY 6462

Haws 1119FR



PARTS BREAKDOWN

www.DrinkingFountainDoctor.com
1-800-518-5388