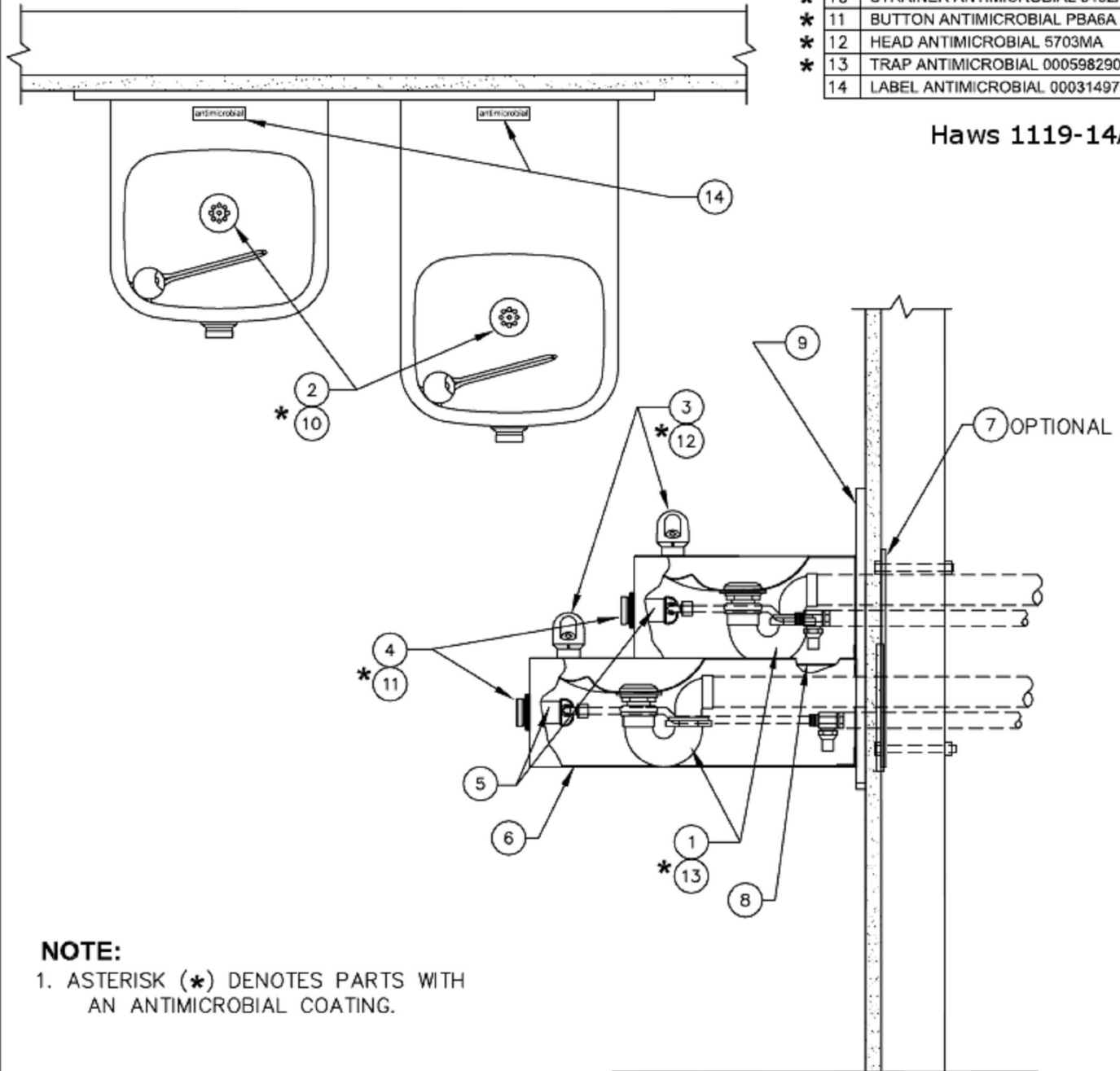


PARTS BREAKDOWN

OPTIONAL

ITEM	DESCRIPTION
1	TRAP 0005982900
2	STRAINER ASSY 6462
3	BUBBLER HEAD 5703M
4	PUSH BTN ASS'Y PBA6
5	VALVE 5874
6	BOTTOM PLATE PBM1109
7	MOUNTING PLATE 6700.4
8	BOTTOM PLATE PBM1105
9	BACK PANEL P/N 0004023580
* 10	STRAINER ANTIMICROBIAL 6462A
* 11	BUTTON ANTIMICROBIAL PBA6A
* 12	HEAD ANTIMICROBIAL 5703MA
* 13	TRAP ANTIMICROBIAL 0005982901
14	LABEL ANTIMICROBIAL 0003149795

Haws 1119-14A



NOTE:

1. ASTERISK (*) DENOTES PARTS WITH AN ANTIMICROBIAL COATING.

www.DrinkingFountainDoctor.com
1-800-518-5388