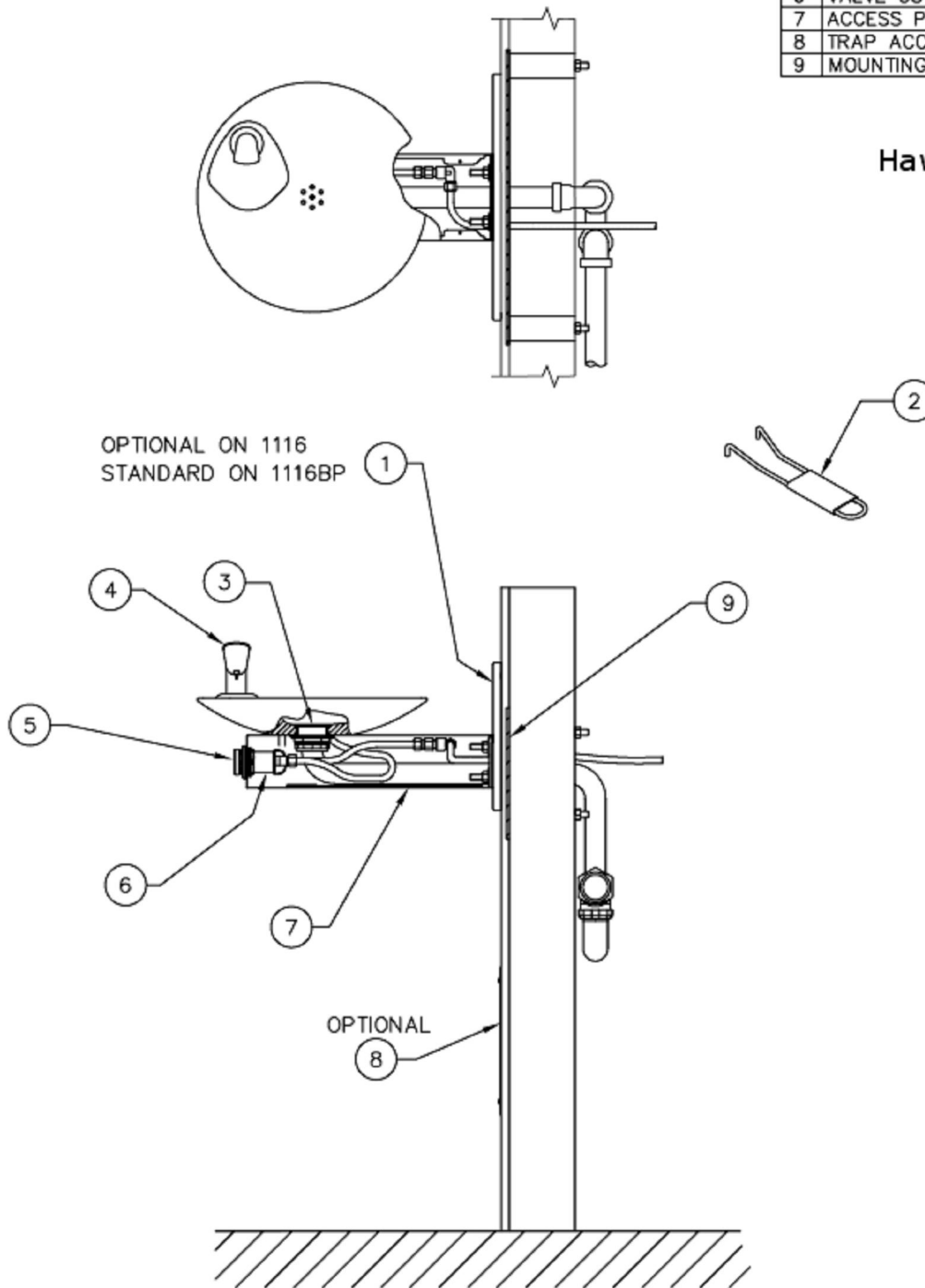


ITEM	DESCRIPTION
1	BACK PANEL BP6
2	SPANNER WRENCH P/N 0006983506
3	STRAINER ASSY 6463
4	HEAD W/LAMINAR INSERT 5705F
5	PUSH BUTTON ASSY PBA6
6	VALVE 5874
7	ACCESS PLATE PBM1000
8	TRAP ACCESS PANEL 6603
9	MOUNTING PLATE 6700

PARTS BREAKDOWN

Haws 1116



www.DrinkingFountainDoctor.com
 1-800-518-5388