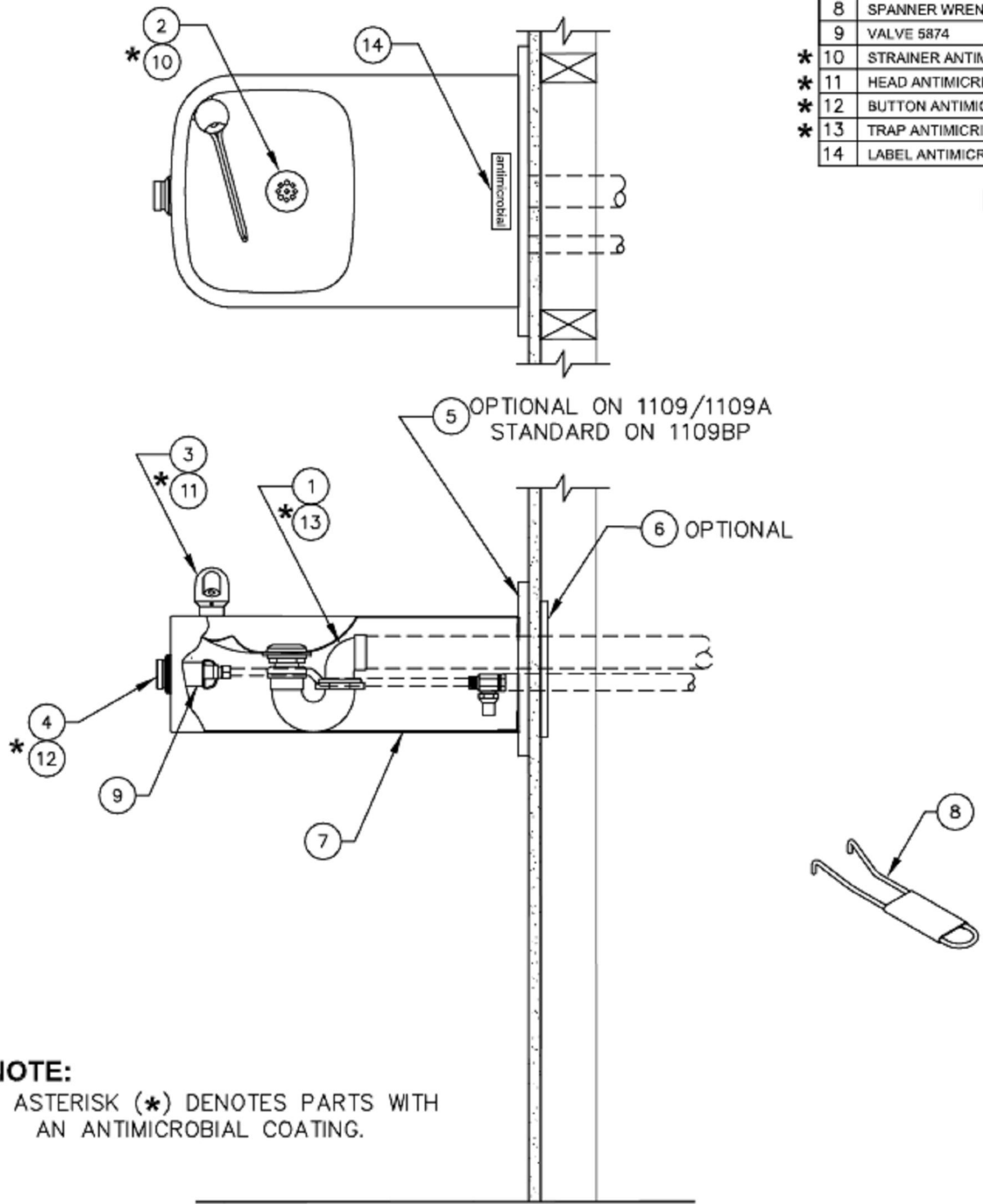


PARTS BREAKDOWN

OPTIONAL

ITEM	DESCRIPTION
1	TRAP 0005982900
2	STRAINER ASSY 6462
3	BUBBLER HEAD 5703M
4	PUSH BTN ASS'Y PBA6
5	BACK PANEL BP3
6	MOUNTING PLATE 6700
7	ACCESS PLATE PBM1109
8	SPANNER WRENCH P/N 0006983506
9	VALVE 5874
* 10	STRAINER ANTIMICROBIAL 6462A
* 11	HEAD ANTIMICRIBAL 5703MA
* 12	BUTTON ANTIMICRIBAL PBA6A
* 13	TRAP ANTIMICRIBAL 0005982901
14	LABEL ANTIMICRIBAL 0003149795

Haws 1109A



www.DrinkingFountainDoctor.com
1-800-518-5388