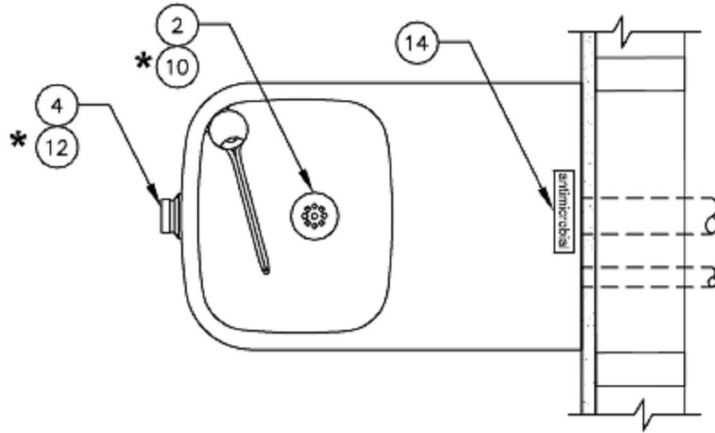


PARTS BREAKDOWN

ITEM	DESCRIPTION
1	TRAP 0005982900
2	STRAINER ASSEMBLY 6462
3	BUBBLER HEAD 5703M
4	PUSH BUTTON ASSEMBLY PBA6
5	VALVE 5874
6	MOUNTING PLATE 6700
7	ACCESS PLATE PBM1109
8	SPANNER WRENCH P/N 0006983506
9	BACK PANEL BP3
* 10	STRAINER ANTIMICROBIAL 6462A
* 11	HEAD ANTIMICROBIAL 5703MA
* 12	BUTTON ANTIMICROBIAL PBA6A
* 13	TRAP ANTIMICROBIAL 0005982901
14	LABEL ANTIMICROBIAL 0003149795

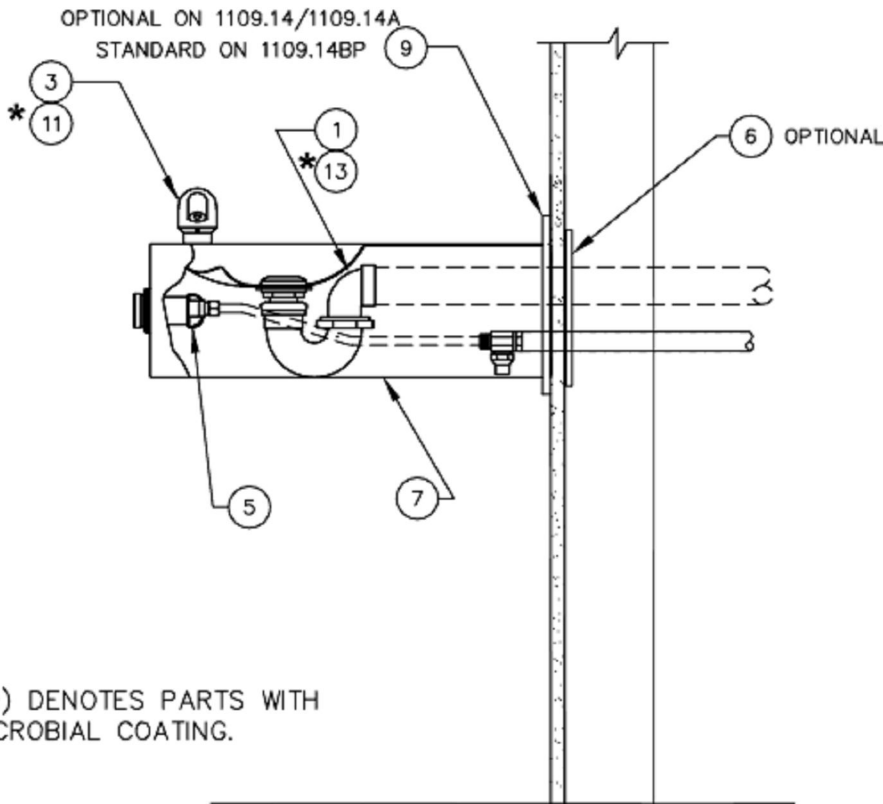
OPTIONAL



Haws 1109-14A



OPTIONAL ON 1109.14/1109.14A
STANDARD ON 1109.14BP



NOTE:

1. ASTERISK (*) DENOTES PARTS WITH AN ANTIMICROBIAL COATING.

www.DrinkingFountainDoctor.com
1-800-518-5388