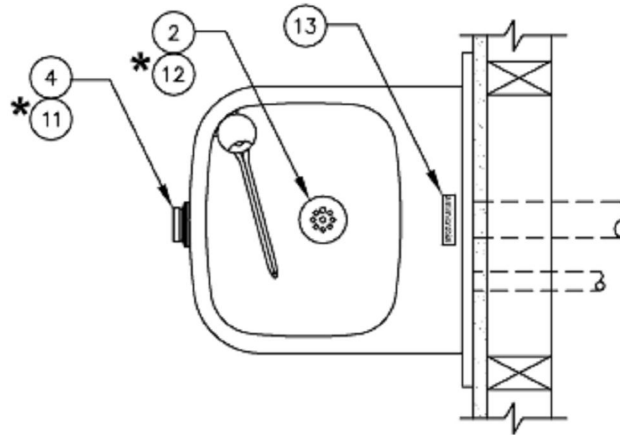


# PARTS BREAKDOWN

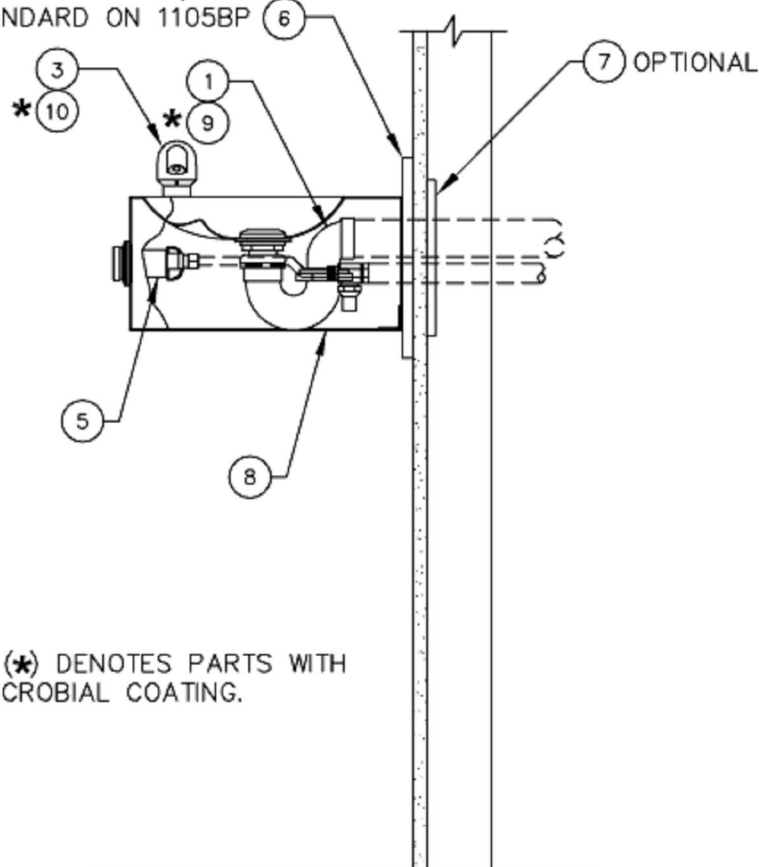
ITEM	DESCRIPTION
1	TRAP 0005982900
2	STRAINER ASSEMBLY 6462
3	BUBBLER HEAD 5703M
4	PUSH BUTTON ASSEMBLY PBA6
5	VALVE 5874
6	BACK PANEL BP3
7	MOUNTING PLATE 6700
8	ACCESS PLATE PBM1105
**	9 TRAP ANTIMICROBIAL 0005982901
**	10 HEAD ANTIMICROBIAL 5703MA
**	11 BUTTON ANTIMICROBIAL PBA6A
**	12 STRAINER ANTIMICROBIAL 6462A
13	LABEL ANTIMICROBIAL 0003149795

OPTIONAL



Haws 1105BP

OPTIONAL ON 1105/1105A  
STANDARD ON 1105BP



**NOTE:**

1.ASTERISK (\*) DENOTES PARTS WITH AN ANTIMICROBIAL COATING.

[www.DrinkingFountainDoctor.com](http://www.DrinkingFountainDoctor.com)  
1-800-518-5388