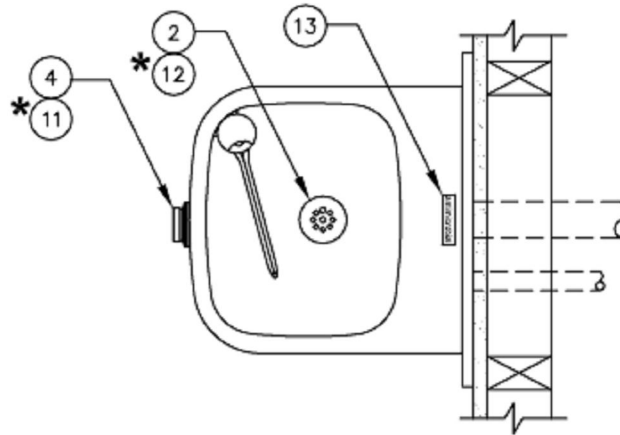


PARTS BREAKDOWN

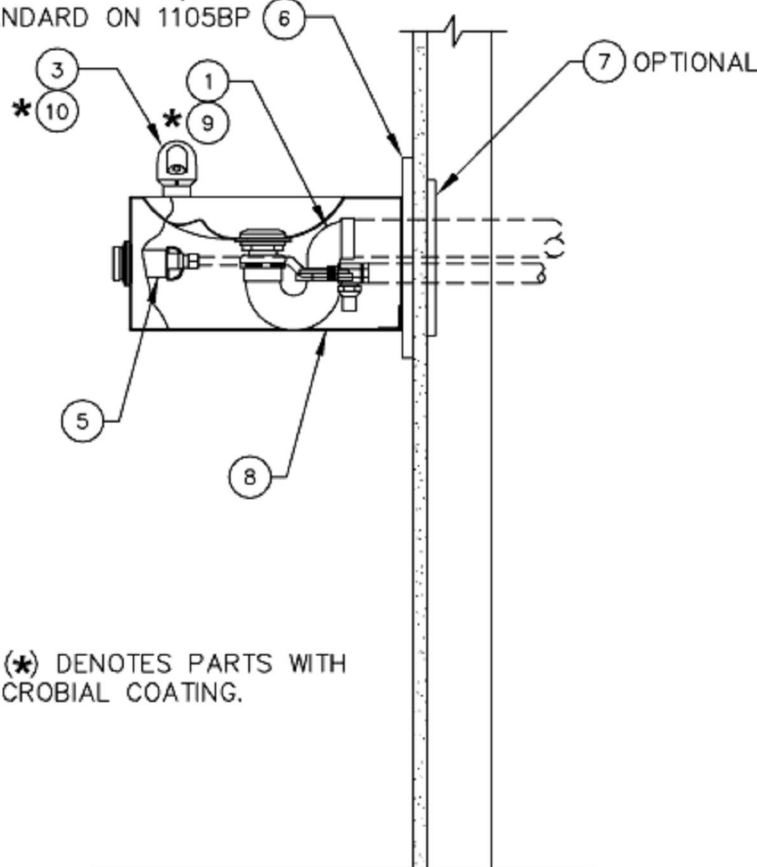
ITEM	DESCRIPTION
1	TRAP 0005982900
2	STRAINER ASSEMBLY 6462
3	BUBBLER HEAD 5703M
4	PUSH BUTTON ASSEMBLY PBA6
5	VALVE 5874
6	BACK PANEL BP3
7	MOUNTING PLATE 6700
8	ACCESS PLATE PBM1105
* 9	TRAP ANTIMICROBIAL 0005982901
* 10	HEAD ANTIMICROBIAL 5703MA
* 11	BUTTON ANTIMICROBIAL PBA6A
* 12	STRAINER ANTIMICROBIAL 6462A
13	LABEL ANTIMICROBIAL 0003149795

OPTIONAL



Haws 1105A

OPTIONAL ON 1105/1105A
STANDARD ON 1105BP



NOTE:

1.ASTERISK (*) DENOTES PARTS WITH AN ANTIMICROBIAL COATING.

www.DrinkingFountainDoctor.com
1-800-518-5388