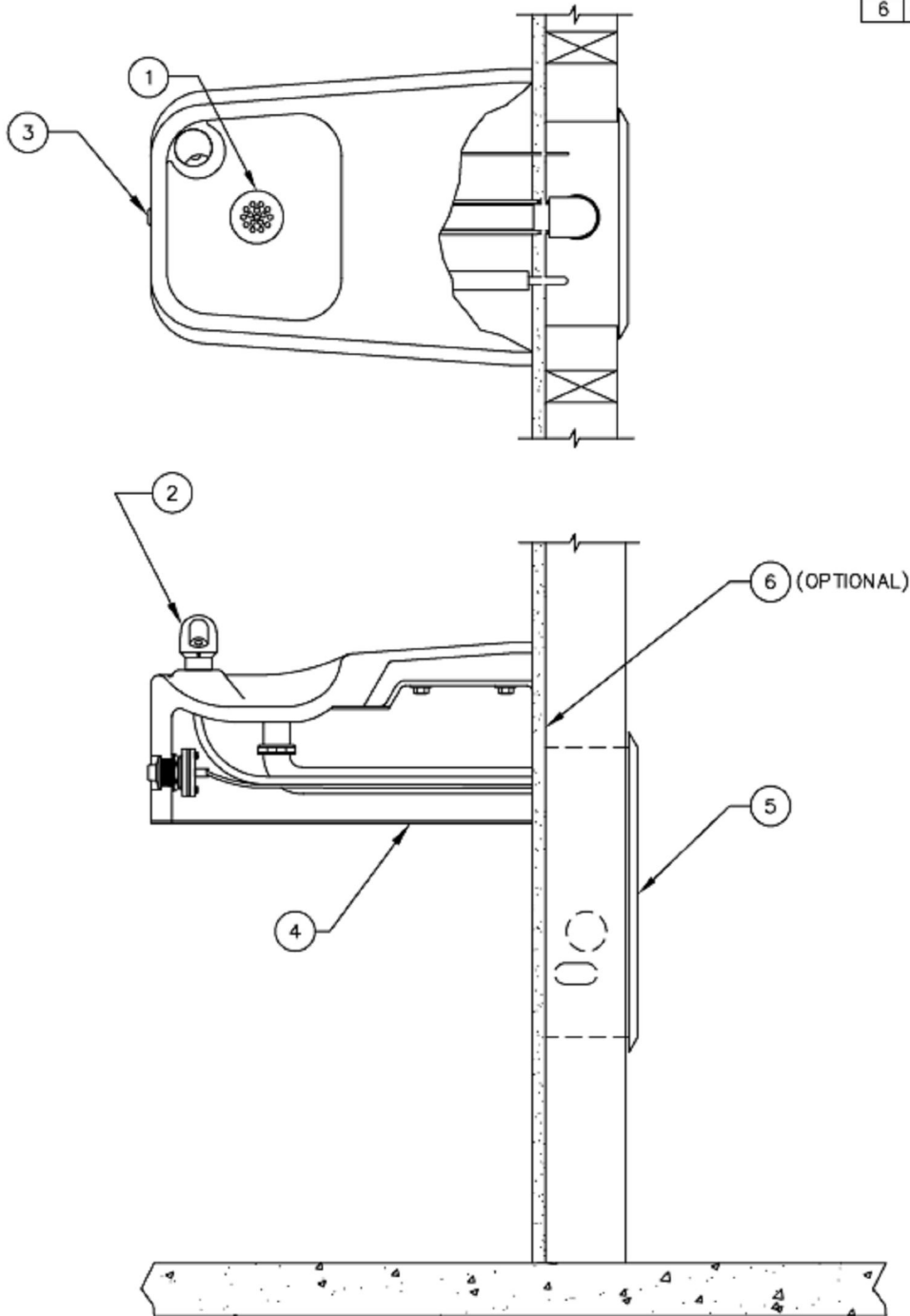


ITEM	DESCRIPTION
1	STRAINER ASSY 6454
2	BUBBLER HEAD 5703M
3	PUSH BTN ASS'Y 5881PBA
4	BOTTOM PLATE PBM1075
5	FREEZE RESISTANT BOX 6521FR
6	6700 MOUNTING PLATE (OPTIONAL)

# PARTS BREAKDOWN

Haws 1075FR



[www.DrinkingFountainDoctor.com](http://www.DrinkingFountainDoctor.com)  
1-800-518-5388