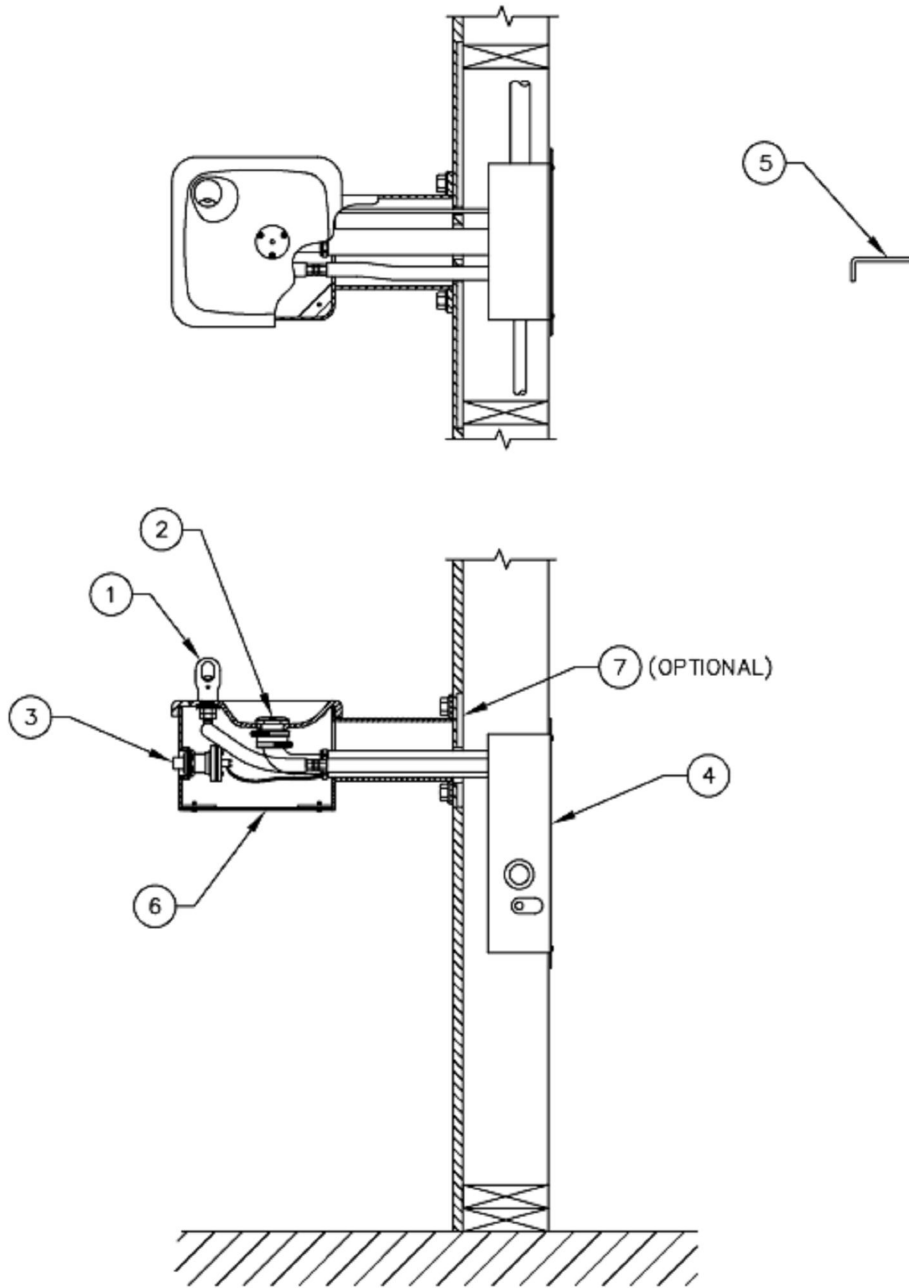


ITEM	DESCRIPTION
1	BUBBLER HEAD 5703M
2	WASTE STRAINER 6452
3	PUSH BUTTON ASSY 5881PBA
4	6521FR VALVE SYSTEM
5	HEX KEY 5/32 PINNED 0002981127
6	BOTTOM PLATE PBM1035
7	MOUNTING PLATE 6705 (OPTIONAL)

PARTS BREAKDOWN

Haws 1035FR



www.DrinkingFountainDoctor.com
1-800-518-5388