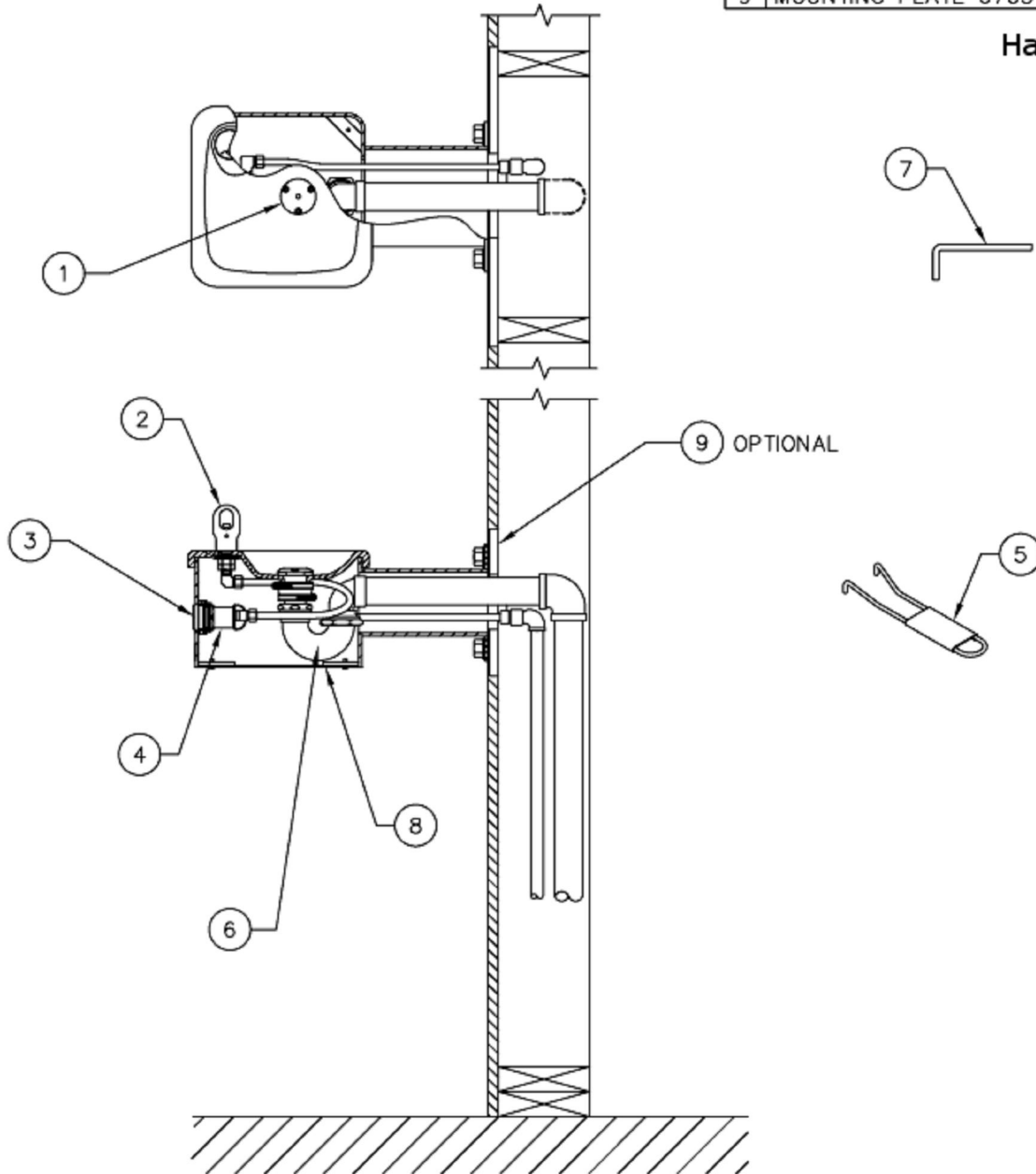


ITEM	DESCRIPTION
1	STRAINER 6452
2	BUBBLER HEAD 5703M
3	PUSH BUTTON ASSY PBA7
4	VALVE, 5874
5	SPANNER WRENCH P/N 0006983506
6	TRAP, LOW PROFILE 0005982900
7	HEX KEY 5/32 PINNED 0002981127
8	BOTTOM PLATE PBM1035
9	MOUNTING PLATE 6705 (OPTIONAL)

PARTS BREAKDOWN

Haws 1035



www.DrinkingFountainDoctor.com
1-800-518-5388