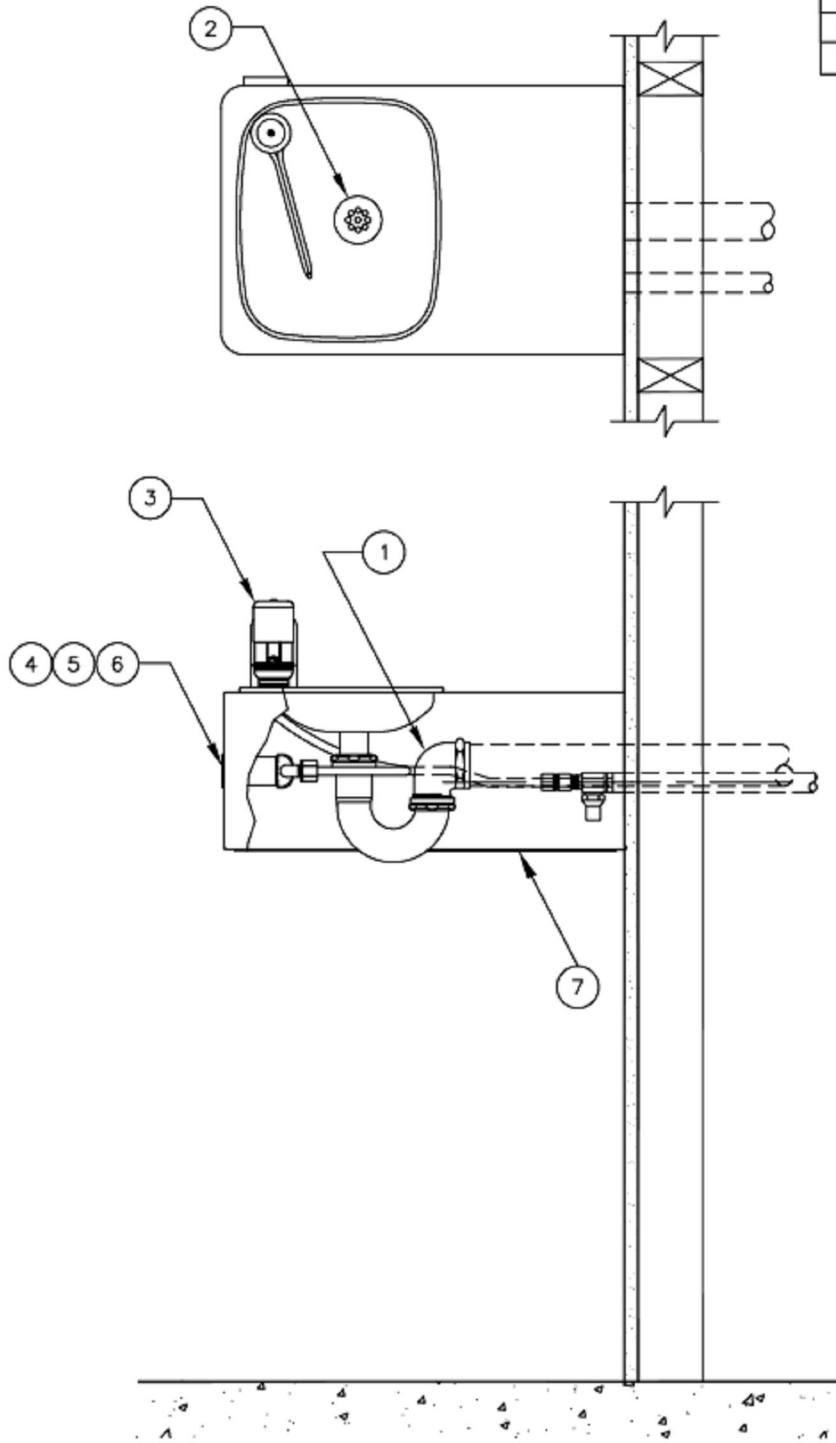


PARTS BREAKDOWN

ITEM	DESCRIPTION
1	TRAP, P/N 0005987000
2	STRAINER ASSY 6466
3	BUBBLER HEAD 5725
4	PUSH BTN ASS'Y PBA7
5	CARTRIDGE HF 0001632151
6	GASKET W/SCREEN 0002568123
7	ACCESS PLATE PBM1025

Haws 1025



www.DrinkingFountainDoctor.com
1-800-518-5388

REV	DESCRIPTION	ENR	DATE	BY/APVD
REVISIONS				