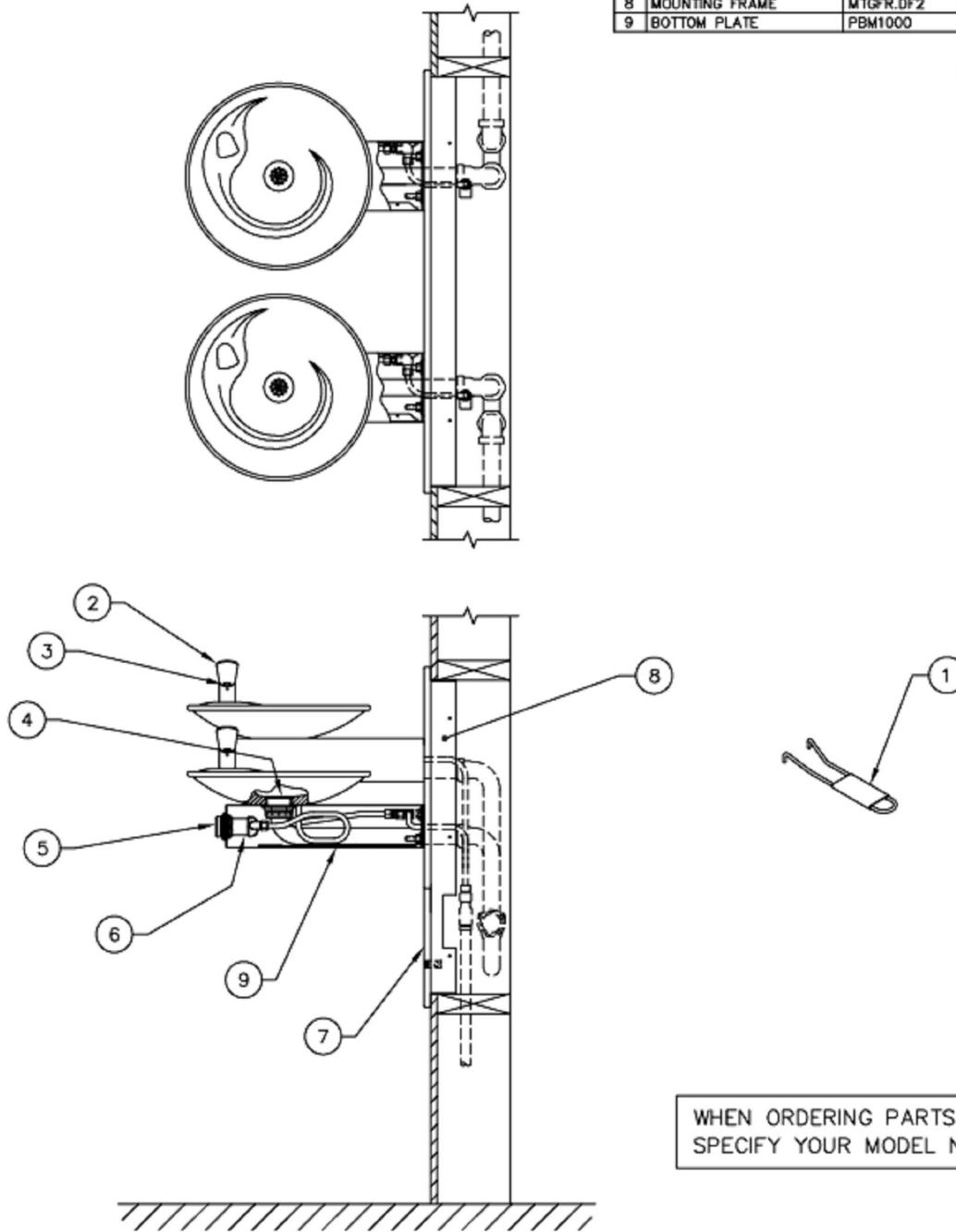


This drawing shall not be reproduced without the written permission of HAWS CORPORATION.

ITEM	DESCRIPTION	1010MS	1011MS	1011HPSMS
1	SPANNER WRENCH	0006983506	0006983506	0006983506
2	BUBBLER HEAD W/INSERT	5705HPB	5705	5705
3	LAMINAR INSERT	5705LAMIN	5705LAMIN	5705LAMIN
4	STRAINER ASSY	6463HPB	6463	6463PCP
5	PUSH BUTTON ASSY	PBA2HPB	PBA2	PBA2
6	VALVE	5874	5874	5874
7	ACCESS PANEL	6607	6608	6608HPS
8	MOUNTING FRAME	MTGFR.DF2	MTGFR.DF2	MTGFR.DF2
9	BOTTOM PLATE	PBM1000	PBM1000	PBM1000

PARTS BREAKDOWN

Haws 1010MS



WHEN ORDERING PARTS PLEASE
SPECIFY YOUR MODEL NUMBER

www.DrinkingFountainDoctor.com
1-800-518-5388

REV	DESCRIPTION	ECH	DATE	BY/APVD
REVISIONS				