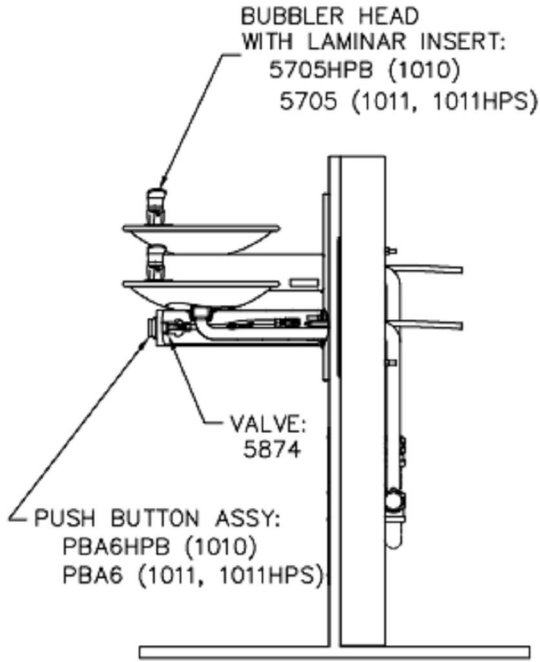


PARTS BREAKDOWN

Haws 1010

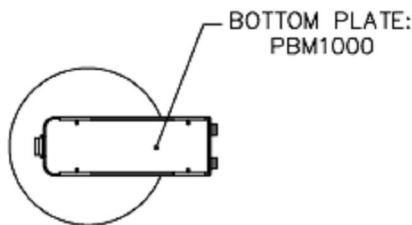
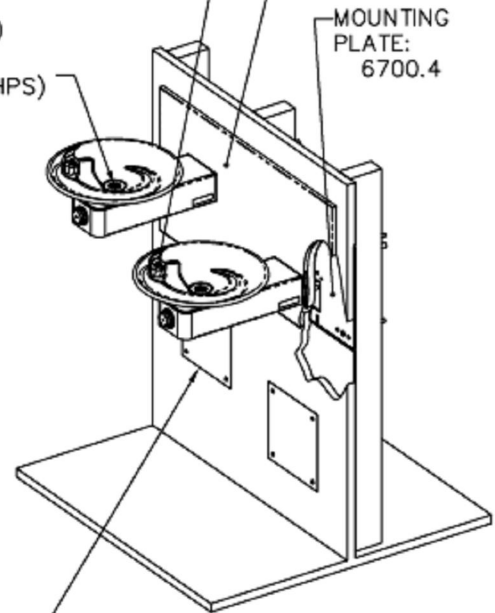


BACK PANEL:
0004011929 (1010)
0004012000 (1011)
0004012023 (1011HPS)

LAMINAR INSERT (ONLY):
5705LAMIN

STRAINER:
6463HPB (1010)
6463 (1011)
6463PCP (1011HPS)

MOUNTING PLATE:
6700.4



**WHEN ORDERING PARTS
PLEASE SPECIFY YOUR
MODEL NUMBER**

www.DrinkingFountainDoctor.com
1-800-518-5388

REV	DESCRIPTION	ECN	DATE	BY/APPD
REVISIONS				