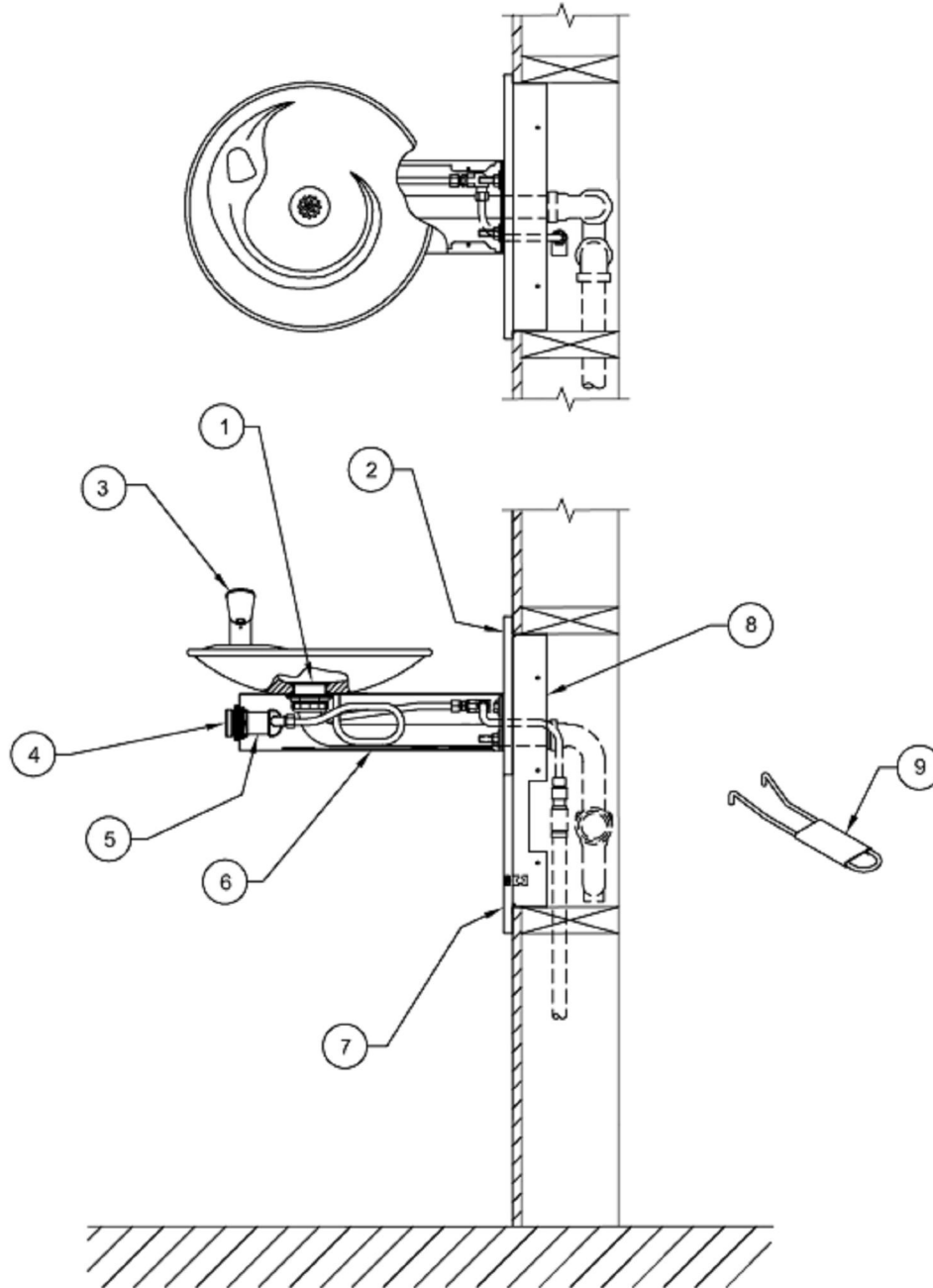


THIS DOCUMENT IS TRUE AND CORRECT AT TIME OF PUBLICATION. CONTINUED PRODUCT IMPROVEMENTS MAKE SPECIFICATIONS AND MEASUREMENTS SUBJECT TO CHANGE WITHOUT NOTICE.

ITEM	DESCRIPTION	1001MS	1001HPSMS
1	STRAINER	6463	6463PCP
2	BACK PANEL	BP6	BP6HPS
3	BUBBLER HEAD & INSERT	5705	5705
4	PUSH BUTTON ASSY	PBA6	PBA6
5	VALVE	5874	5874
6	BOTTOM PLATE	PBM1000	PBM1000
7	ACCESS PANEL	6606	6606HPS
8	MOUNTING FRAME	MTGFR.DF1	MTGFR.DF1
9	SPANNER WRENCH	0006983506	0006983506

PARTS BREAKDOWN

Haws 1001HPSMS



www.DrinkingFountainDoctor.com
1-800-518-5388