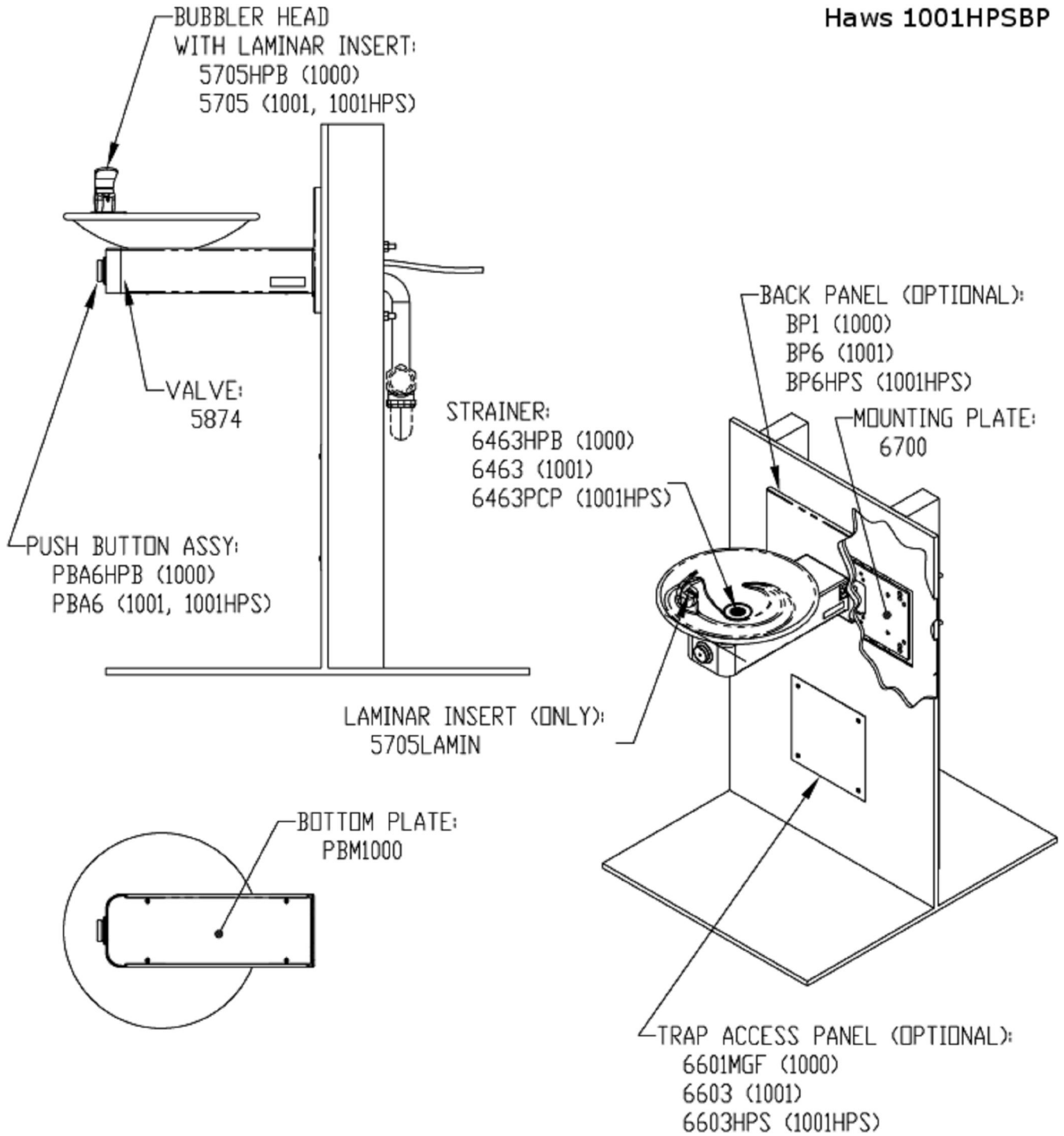


THIS DOCUMENT AND THE DATA DISCLOSED HEREIN OR HEREWITH IS NOT TO BE REPRODUCED, USED, OR DISCLOSED IN WHOLE OR IN PART TO ANYONE WITHOUT THE PERMISSION OF HAWS CORPORATION.

		REVISIONS			
ZONE	REV	DESCRIPTION	ECN	DATE	BY
	7	CHANGED 5872 VALVE AND COMPONENTS TO THE 5874 VALVE.	3341	12/18/02	MD

Haws 1001HPSBP



www.DrinkingFountainDoctor.com
1-800-518-5388