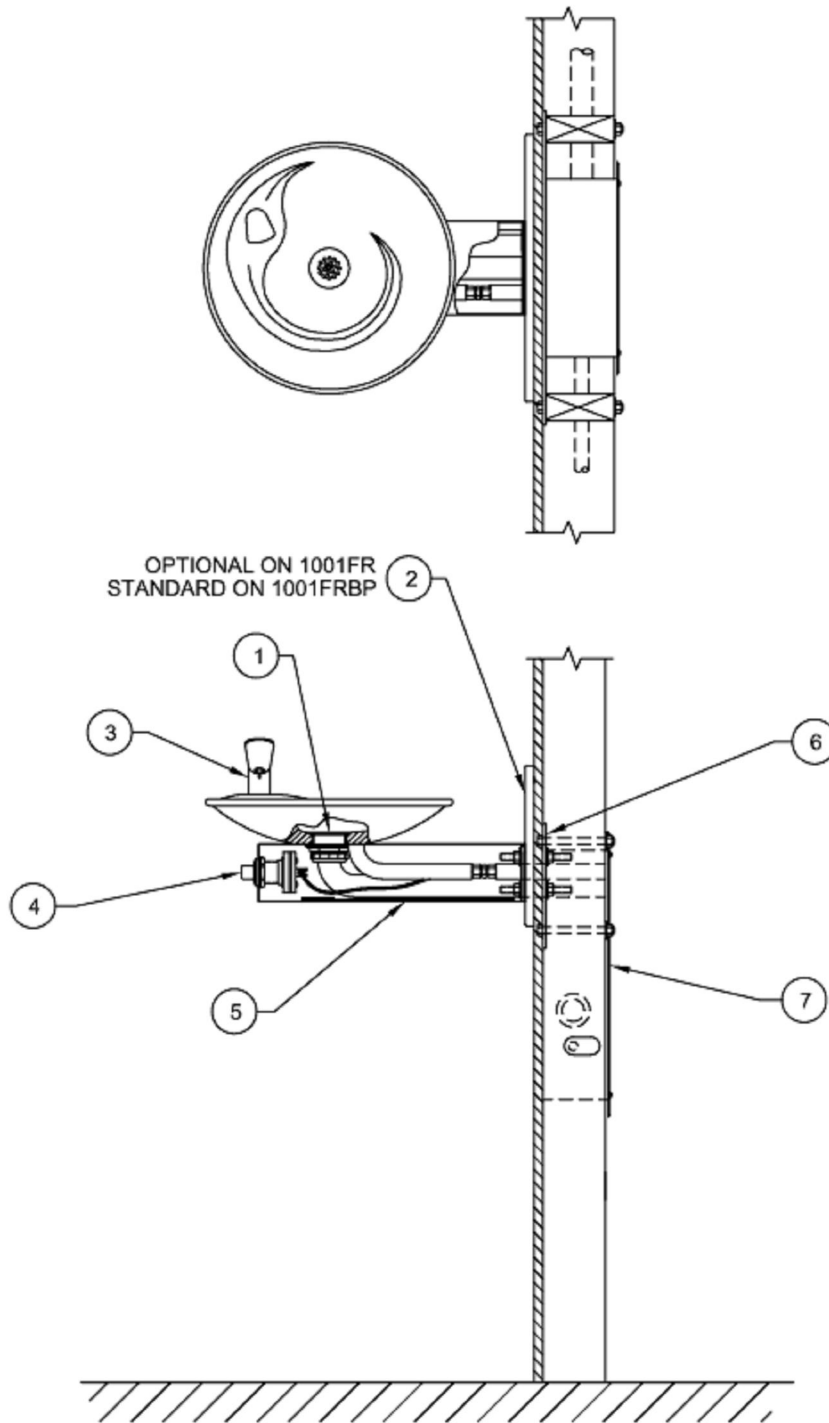


ITEM	DESCRIPTION
1	STRAINER ASSY 6463
2	BACK PANEL BP6
3	BUBBLER HEAD 5705FR
4	PUSH BUTTON ASSY 5881PBA
5	BOTTOM PLATE PBM1000
6	MOUNTING PLATE 6700
7	FREEZE RESISTANT VALVE BOX 6521FR

PARTS BREAKDOWN

Haws 1001FRBP



www.DrinkingFountainDoctor.com
1-800-518-5388