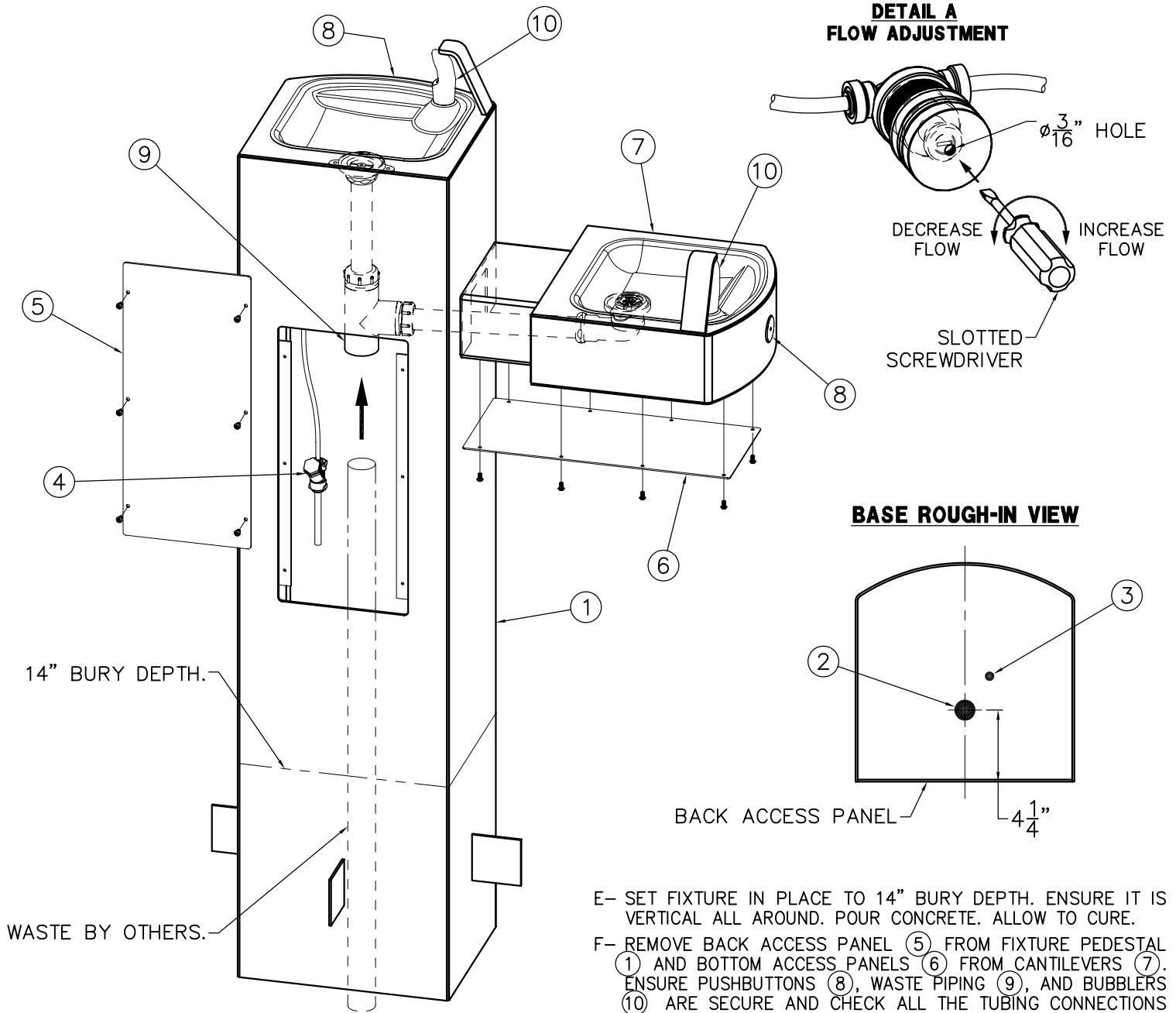


INSTALLATION INSTRUCTIONS:

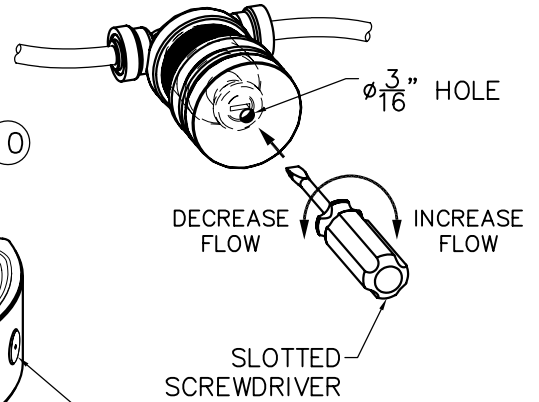
- A- PROVIDE 30" SQUARE MINIMUM x 6" DEEP MINIMUM CONCRETE SLAB BY OTHERS TO SECURELY ANCHOR FIXTURE. INSTALL THE FOUR PROVIDED CONCRETE ANCHORS (1) AT DIMENSIONS SHOWN TO MATCH HOLES (2) IN FIXTURE BASE.
- B- ROUGH-IN WASTE OUTLET (3) AT DIMENSION SHOWN FOR 1-1/4" PVC PIPE SIZE OR USE THE COMPRESSION ADAPTER PROVIDED LOOSE FOR 1-1/4" OUTER DIAMETER TUBE.
- C- ROUGH-IN WATER SUPPLY (4) WITHIN 6" SQUARE BOTTOM OPENING FOR 1/4" NOMINAL (3/8" O.D.) x 4" LONG COPPER TUBE CONNECTED TO IN-LINE STRAINER (5) PROVIDED. STOP RECOMMENDED ON SUPPLY TO BE SUPPLIED BY OTHERS.
- D- CAREFULLY REMOVE THE FIXTURE AND COMPONENTS FROM THE PACKAGING PREVENTING SCRATCHING AND DAMAGE.
- E- REMOVE BACK ACCESS PANEL (6) FROM FIXTURE PEDESTAL (7) AND BOTTOM ACCESS PANEL (8) FROM CANTILEVER (9). ENSURE PUSHBUTTONS (10), WASTE PIPING (11), AND BUBBLERS (12) ARE SECURE AND CHECK ALL THE TUBING CONNECTIONS TO MAKE SURE THEY DID NOT COME LOOSE IN SHIPMENT.

- F- SET PEDESTAL (7) IN PLACE ALIGNING BASE HOLES (2) WITH THE INSTALLED ANCHORS (1) AND SECURE WITH THE 1/2" UNC HARDWARE (13) PROVIDED.
- G- MAKE-UP WASTE CONNECTION TO THE WASTE PIPING (11).
- H- FLUSH WATER SUPPLY (4) BY OTHERS OF ALL DEBRIS PRIOR TO CONNECTING TO FIXTURE.
- I- CONNECT WATER SUPPLY (4) BY OTHERS TO 1/4" NOMINAL COPPER TUBE INLET. STOP ON THE SUPPLY IS RECOMMENDED.
- J- TEST OPERATION OF BUBBLERS BY DEPRESSING BUTTONS (10). ADJUST THE FLOW RATE AS REQUIRED. SEE DETAIL A. CHECK ALL CONNECTIONS AND WASTE PIPING FOR LEAKS. CORRECT IF PRESENT.
- K- RE-INSTALL BACK ACCESS PANEL (6) AND BOTTOM ACCESS PANEL (8).

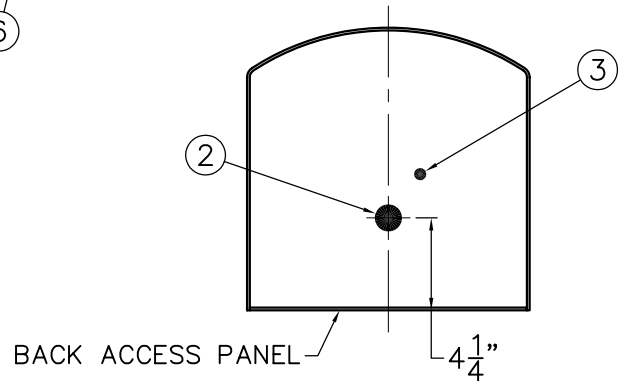
<p>ACORN AQUA P.O. Box 3527 City of Industry, CA 91744 Phone: (800) 591-9360 www.acornaqua.com</p>	<p>TITLE SQUARE OUTDOOR STEEL PEDESTAL BI-LEVEL DRINKING FOUNTAIN</p>		
	<p>MANUFACTURE DATE</p> <p>JANUARY 2006</p> <p>TO PRESENT</p>	<p>DATE ISSUED</p> <p>09/27/05</p>	<p>DRAWING NUMBER</p> <p>9938-165-001</p>
		<p>DATE REVISED</p> <p>05/03/06</p>	



**DETAIL A
FLOW ADJUSTMENT**



BASE ROUGH-IN VIEW



INSTALLATION INSTRUCTIONS:

- A- PREPARE INSTALLATION LOCATION TO BURY FIXTURE PEDESTAL (1) TO 14" DEPTH.
- B- ROUGH-IN WASTE OUTLET (2) AT DIMENSION SHOWN FOR 1-1/4" PVC PIPE SIZE OR USE THE COMPRESSION ADAPTER PROVIDED LOOSE FOR 1-1/4" OUTER DIAMETER TUBE.
- C- ROUGH-IN WATER SUPPLY (3) FOR 1/4" NOMINAL (3/8" O.D.) x 4" LONG COPPER TUBE CONNECTED TO IN-LINE STRAINER (4) PROVIDED. RECOMMENDED SUPPLY STOP BY OTHERS.
- D- CAREFULLY REMOVE THE FIXTURE AND COMPONENTS FROM THE PACKAGING PREVENTING SCRATCHING AND DAMAGE.

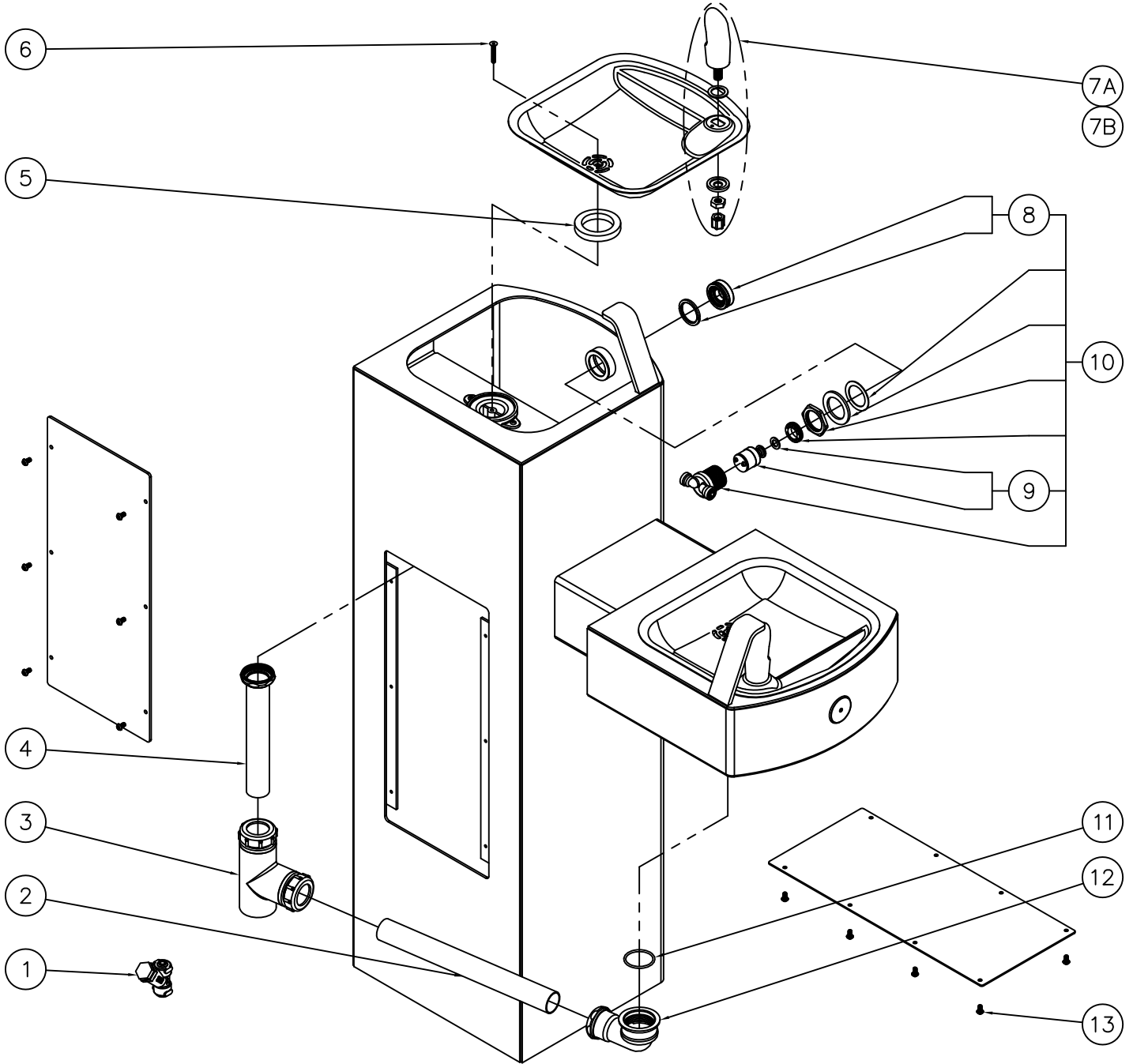
- E- SET FIXTURE IN PLACE TO 14" BURY DEPTH. ENSURE IT IS VERTICAL ALL AROUND. POUR CONCRETE. ALLOW TO CURE.
- F- REMOVE BACK ACCESS PANEL (5) FROM FIXTURE PEDESTAL (1) AND BOTTOM ACCESS PANELS (6) FROM CANTILEVERS (7). ENSURE PUSHBUTTONS (8), WASTE PIPING (9), AND BUBBLERS (10) ARE SECURE AND CHECK ALL THE TUBING CONNECTIONS TO MAKE SURE THEY DID NOT COME LOOSE IN SHIPMENT.
- G- MAKE-UP WASTE CONNECTION TO THE WASTE PIPING (9).
- H- FLUSH WATER SUPPLY (3) BY OTHERS OF ALL DEBRIS PRIOR TO CONNECTING TO FIXTURE.
- I- CONNECT WATER SUPPLY (3) BY OTHERS TO 1/4" NOMINAL COPPER TUBE INLET. STOP ON THE SUPPLY IS RECOMMENDED.
- J- TEST OPERATION OF BUBBLERS BY DEPRESSING BUTTONS (8). ADJUST THE FLOW RATE AS REQUIRED. SEE DETAIL A. CHECK ALL CONNECTIONS AND WASTE PIPING FOR LEAKS. CORRECT IF PRESENT.
- K- RE-INSTALL BACK ACCESS PANEL (5) AND BOTTOM ACCESS PANELS (6).

<p>ACORN AQUA P.O. Box 3527 City of Industry, CA 91744 Phone: (800) 591-9360 www.acornaqua.com</p>	<p>TITLE -IGM IN-GROUND MOUNTING SQUARE OUTDOOR STEEL BI-LEVEL FOUNTAIN</p>		
	<p>MANUFACTURE DATE</p> <p>JANUARY 2006</p> <p>TO PRESENT</p>	<p>DATE ISSUED</p> <p>09/27/05</p>	<p>DRAWING NUMBER</p> <p>9938-166-001</p>
		<p>DATE REVISED</p> <p>05/03/06</p>	



INSTALLATION INSTRUCTIONS

AquaDesign



1	7000-022-00	"Y" STRAINER	8	7000-068-001	RETAINING RING AND BUTTON ASSEMBLY
2	7000-111-199	1-1/4" O.D. x 14" LONG DRAIN TUBE	9	7000-069-001	VALVE CARTRIDGE WITH FOAM WASHER
3	7002-011-001	BI-LEVEL ADULT ADA PIPING ASSEMBLY	10	7000-065-001	RECESSED PUSHBUTTON VALVE ASSEMBLY
4	7000-019-001	1-1/4" OUTER DIAMETER TAILPIECE	11	0401-128-000	O-RING
5	7000-006-000	FLAT DRAIN ADAPTER GASKET	12	7000-017-001	ELBOW ASSEMBLY
6	0152-010-000	CENTER REJECT ALLEN FLAT HEAD SCREW	13	0112-002-000	CENTER REJECT ALLEN BUTTON HD SCREW
7A	7000-002-001	STANDARD CHROME PLATED BRASS BUBBLER			
7B	7000-410-002	"F" OPTION FLEXIBLE BUBBLER ASSEMBLY			
ITEM	PART NUMBER	DESCRIPTION	ITEM	PART NUMBER	DESCRIPTION

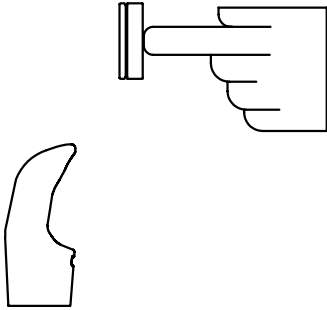
<p>ACORN AQUA P.O. Box 3527 City of Industry, CA 91744 Phone: (800) 591-9360 www.acornaquas.com</p>	TITLE SQUARE OUTDOOR STEEL PEDESTAL BI-LEVEL DRINKING FOUNTAIN		
	MANUFACTURE DATE	DATE ISSUED	DRAWING NUMBER
	JANUARY 2006 TO PRESENT	11/18/05	9938-165-500
		DATE REVISED	
		04/07/10	

STANDARD PUSH PAD / PUSH BUTTON DRINKING FOUNTAIN

CONDITION:

SOLUTION:

NO WATER FLOW:



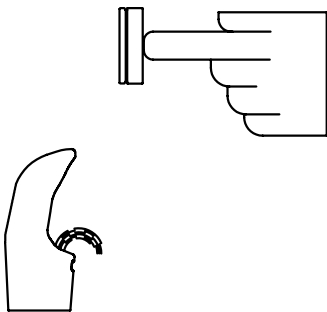
- 1.1 Check water main supply – open.
- 1.2 Inspect stop (by others) – open & no debris.
- 1.3 Inspect in–line strainer for debris – clean.
- 1.4 Replace valve cartridge.

WATER DRIPS / WILL NOT SHUT OFF:



- 2.1 For push pad activated drinking fountains only: Open fixture and move valve bracket assembly further back from push pad.
- 2.2 Replace valve cartridge.

REDUCED WATER FLOW:



- 3.1 Adjust the valve flow rate. See appropriate fixture installation instructions.
- 3.2 Check water main supply for 20 psig minimum flow pressure.
- 3.3 Inspect stop (by others) – open & no debris.
- 3.4 Inspect in–line strainer for debris – clean.
- 3.5 Inspect bubbler for debris – clean.
- 3.6 Inspect all tubing for twists or kinks.
- 3.7 Replace valve cartridge.