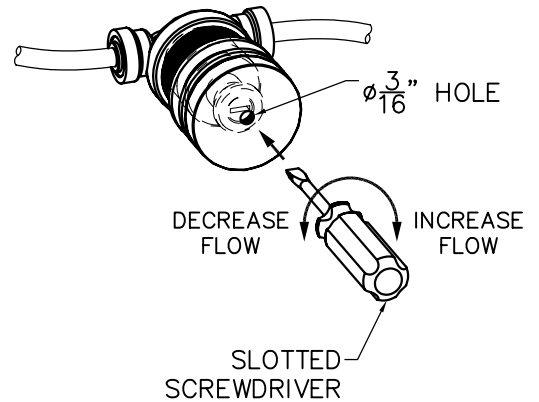
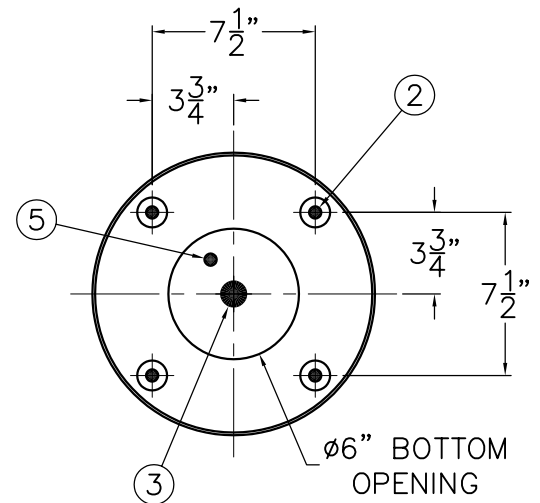


**DETAIL A
FLOW ADJUSTMENT**



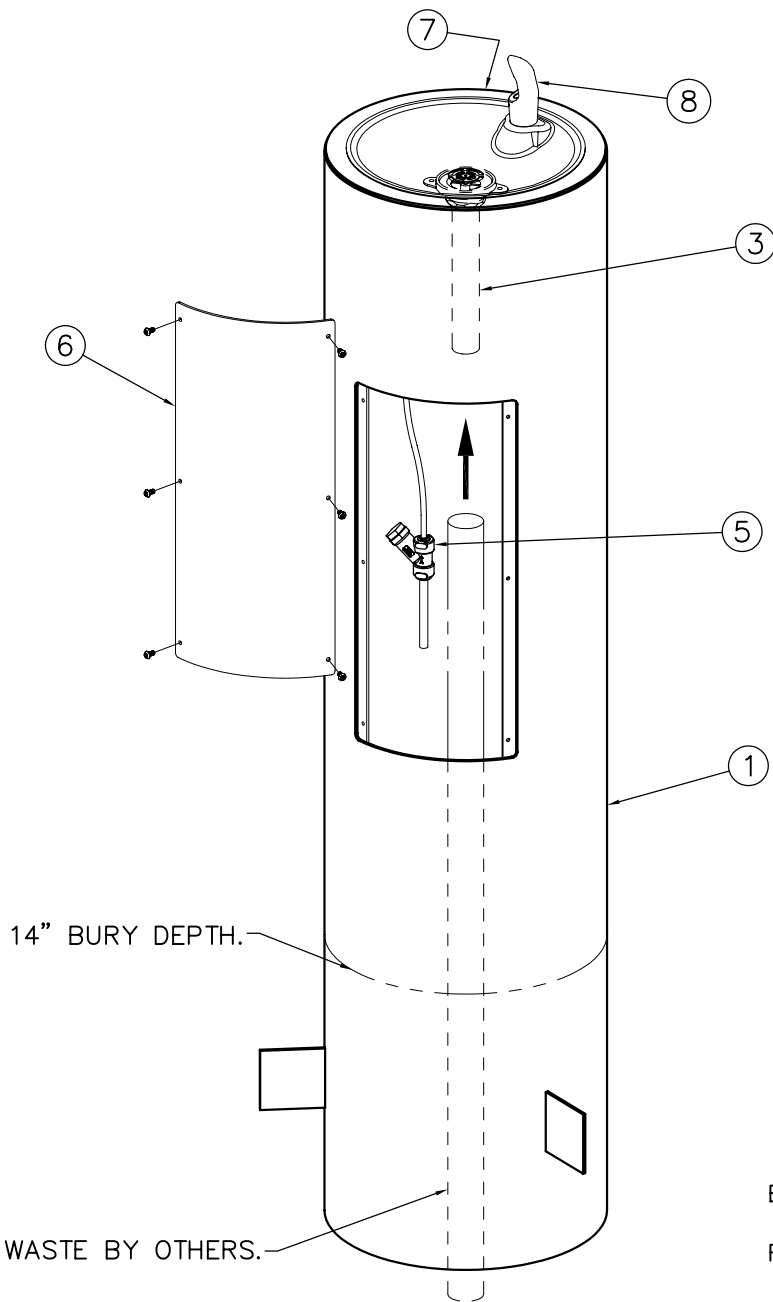
BASE ROUGH-IN VIEW



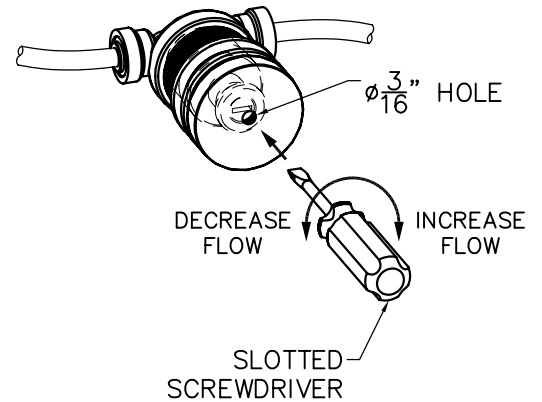
INSTALLATION INSTRUCTIONS:

- A- PROVIDE 30" SQUARE MINIMUM x 6" DEEP MINIMUM CONCRETE SLAB BY OTHERS TO SECURELY ANCHOR FIXTURE. INSTALL THE FOUR PROVIDED CONCRETE ANCHORS ① AT DIMENSIONS SHOWN TO MATCH HOLES ② IN FIXTURE BASE.
- B- ROUGH-IN WASTE OUTLET ③ AT DIMENSION SHOWN FOR 1-1/4" OUTER DIAMETER PLAIN END TAILPIECE ④.
- C- ROUGH-IN WATER SUPPLY ⑤ WITHIN 6" DIAMETER BOTTOM OPENING FOR 1/4" NOMINAL (3/8" O.D.) x 4" LONG COPPER TUBE CONNECTED TO IN-LINE STRAINER ⑥ PROVIDED. STOP RECOMMENDED ON SUPPLY TO BE SUPPLIED BY OTHERS.
- D- CAREFULLY REMOVE FIXTURE ⑦ AND COMPONENTS FROM THE PACKAGING PREVENTING SCRATCHING AND DAMAGE.
- E- REMOVE BACK ACCESS PANEL ⑧. ENSURE PUSHBUTTON ⑨ WASTE TAILPIECE ④ AND BUBBLER ⑩ ARE SECURE AND CHECK ALL TUBING CONNECTIONS TO MAKE SURE THEY DID NOT COME LOOSE IN SHIPMENT.
- F- SET FIXTURE IN PLACE ALIGNING BASE HOLES ② WITH THE INSTALLED ANCHORS ① AND SECURE WITH THE 1/2" UNC HARDWARE ⑪ PROVIDED.
- G- MAKE-UP 1-1/4" O.D. WASTE CONNECTION TO TAILPIECE ④.
- H- FLUSH WATER SUPPLY ⑤ BY OTHERS OF ALL DEBRIS PRIOR TO CONNECTING TO FIXTURE.
- I- CONNECT WATER SUPPLY ⑤ BY OTHERS TO 1/4" NOMINAL COPPER TUBE INLET. STOP ON THE SUPPLY IS RECOMMENDED.
- J- TEST OPERATION OF BUBBLER BY DEPRESSING BUTTON ⑨. ADJUST THE FLOW RATE AS REQUIRED. SEE **DETAIL A**. CHECK ALL CONNECTIONS AND WASTE PIPING FOR LEAKS. CORRECT IF PRESENT.
- K- RE-INSTALL BACK ACCESS PANEL ⑧.

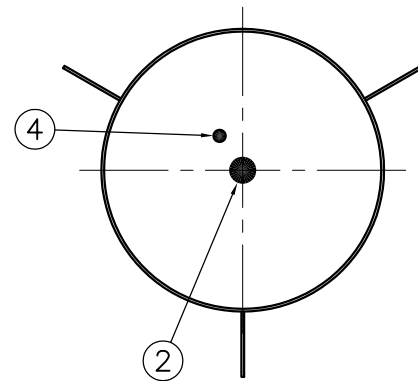
<p>ACORN AQUA P.O. Box 3527 City of Industry, CA 91744 Phone: (800) 591-9360 www.acornaqua.com</p>	<p>TITLE ROUND OUTDOOR STEEL PEDESTAL DRINKING FOUNTAIN</p>		
	<p>MANUFACTURE DATE</p> <p>JANUARY 2006 TO PRESENT</p>	<p>DATE ISSUED</p> <p>09/27/05</p>	<p>DRAWING NUMBER</p> <p>9938-105-001</p>
		<p>DATE REVISED</p> <p>05/03/06</p>	



**DETAIL A
FLOW ADJUSTMENT**



BASE ROUGH-IN VIEW



INSTALLATION INSTRUCTIONS:

- A- PREPARE INSTALLATION LOCATION TO BURY FIXTURE PEDESTAL (1) TO 14" DEPTH.
- B- ROUGH-IN WASTE OUTLET (2) CENTERED AS SHOWN FOR 1-1/4" OUTER DIAMETER PLAIN END TAILPIECE (3).
- C- ROUGH-IN WATER SUPPLY (4) FOR 1/4" NOMINAL (3/8" O.D.) x 4" LONG COPPER TUBE CONNECTED TO IN-LINE STRAINER (5) PROVIDED. RECOMMENDED SUPPLY STOP BY OTHERS.
- D- CAREFULLY REMOVE THE FIXTURE AND COMPONENTS FROM THE PACKAGING PREVENTING SCRATCHING AND DAMAGE.

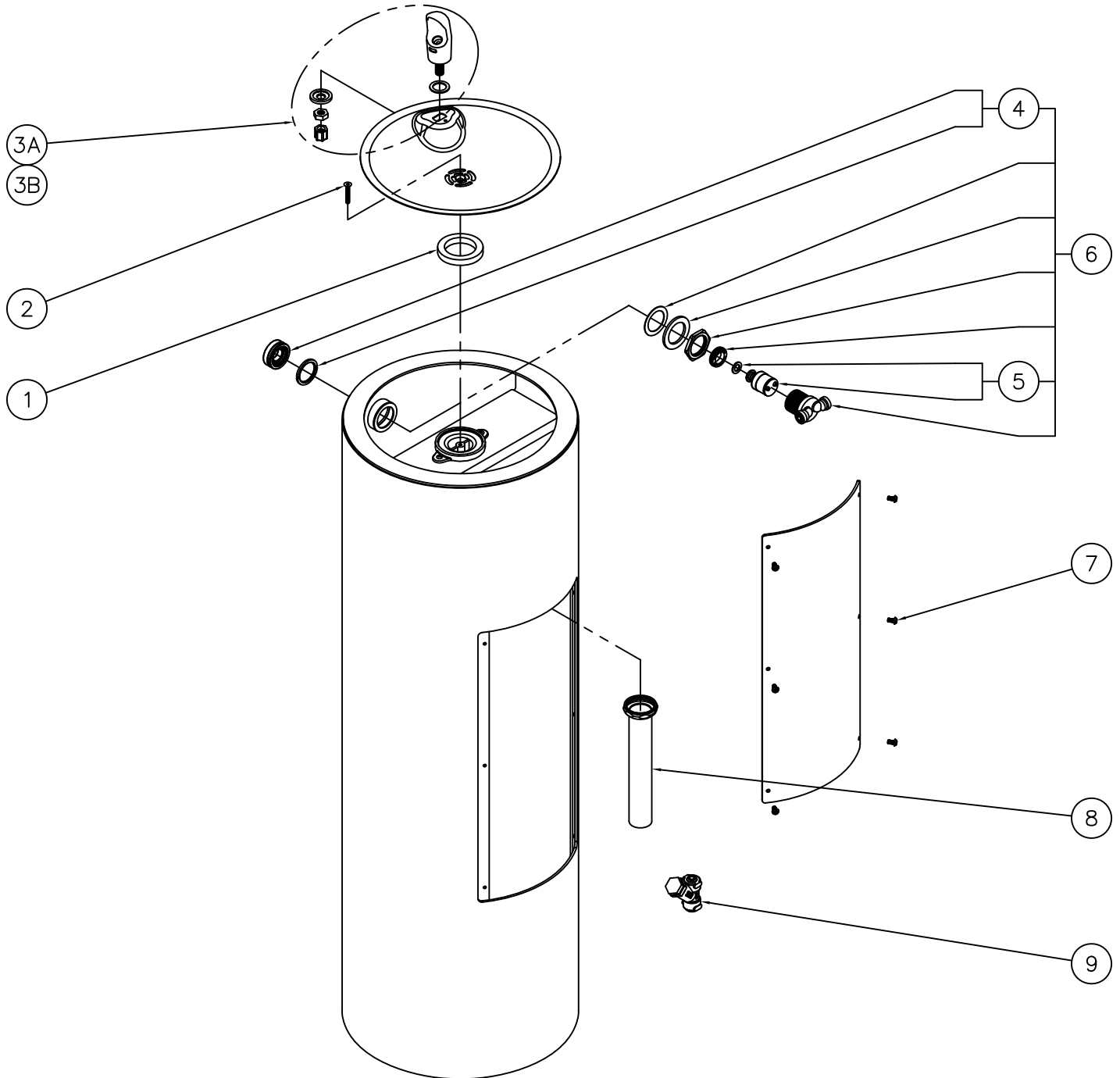
- E- SET FIXTURE IN PLACE TO 14" BURY DEPTH. ENSURE IT IS VERTICAL ALL AROUND. POUR CONCRETE. ALLOW TO CURE.
- F- REMOVE BACK ACCESS PANEL (6). ENSURE PUSHBUTTON (7) WASTE TAILPIECE (3), AND BUBBLER (8) ARE SECURE AND CHECK ALL THE TUBING CONNECTIONS TO MAKE SURE THEY DID NOT COME LOOSE IN SHIPMENT.
- G- MAKE-UP 1-1/4" O.D. WASTE CONNECTION TO TAILPIECE (3).
- H- FLUSH WATER SUPPLY (4) BY OTHERS OF ALL DEBRIS PRIOR TO CONNECTING TO FIXTURE.
- I- CONNECT WATER SUPPLY (4) BY OTHERS TO 1/4" NOMINAL COPPER TUBE INLET. STOP ON THE SUPPLY IS RECOMMENDED.
- J- TEST OPERATION OF BUBBLER BY DEPRESSING BUTTON (7). ADJUST THE FLOW RATE AS REQUIRED. SEE **DETAIL A**. CHECK ALL CONNECTIONS AND WASTE PIPING FOR LEAKS. CORRECT IF PRESENT.
- K- RE-INSTALL BACK ACCESS PANEL (6).

<p>ACORN AQUA P.O. Box 3527 City of Industry, CA 91744 Phone: (800) 591-9360 www.acornaqua.com</p>	<p>TITLE -IGM IN-GROUND MOUNTING ROUND OUTDOOR STEEL DRINKING FOUNTAIN</p>		
	<p>MANUFACTURE DATE</p> <p>JANUARY 2006</p> <p>TO PRESENT</p>	<p>DATE ISSUED</p> <p>09/27/05</p> <p>DATE REVISED</p> <p>05/03/06</p>	<p>DRAWING NUMBER</p> <p>9938-106-001</p>



INSTALLATION INSTRUCTIONS

AquaDesign



1	7000-006-000	FLAT DRAIN ADAPTER GASKET	5	7000-069-001	VALVE CARTRIDGE WITH FOAM WASHER
2	0152-010-000	CENTER REJECT ALLEN FLAT HEAD SCREW	6	7000-065-001	RECESSED PUSHBUTTON VALVE ASSEMBLY
3A	7000-002-001	STANDARD CHROME PLATED BRASS BUBBLER	7	0112-002-000	CENTER REJECT ALLEN BUTTON HEAD SCREW
3B	7000-410-002	"F" OPTION FLEXIBLE BUBBLER ASSEMBLY	8	7000-019-001	1-1/4" OUTER DIAMETER TAILPIECE
4	7000-068-001	RETAINING RING AND BUTTON ASSEMBLY	9	7000-022-000	"Y" STRAINER
ITEM	PART NUMBER	DESCRIPTION	ITEM	PART NUMBER	DESCRIPTION

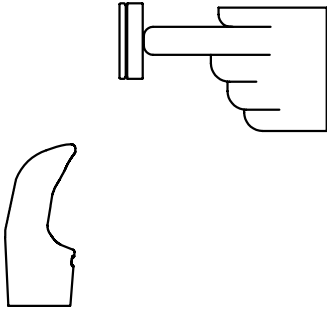
<p>ACORN AQUA P.O. Box 3527 City of Industry, CA 91744 Phone: (800) 591-9360 www.acornaqua.com</p>	TITLE ROUND OUTDOOR STEEL PEDESTAL DRINKING FOUNTAIN		
	MANUFACTURE DATE JANUARY 2006 TO PRESENT	DATE ISSUED 11/15/05	DRAWING NUMBER 9938-105-500
		DATE REVISED 04/08/10	

STANDARD PUSH PAD / PUSH BUTTON DRINKING FOUNTAIN

CONDITION:

SOLUTION:

NO WATER FLOW:



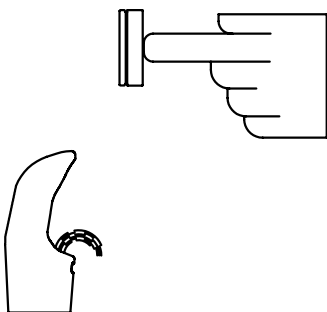
- 1.1 Check water main supply – open.
- 1.2 Inspect stop (by others) – open & no debris.
- 1.3 Inspect in–line strainer for debris – clean.
- 1.4 Replace valve cartridge.

WATER DRIPS / WILL NOT SHUT OFF:



- 2.1 For push pad activated drinking fountains only: Open fixture and move valve bracket assembly further back from push pad.
- 2.2 Replace valve cartridge.

REDUCED WATER FLOW:



- 3.1 Adjust the valve flow rate. See appropriate fixture installation instructions.
- 3.2 Check water main supply for 20 psig minimum flow pressure.
- 3.3 Inspect stop (by others) – open & no debris.
- 3.4 Inspect in–line strainer for debris – clean.
- 3.5 Inspect bubbler for debris – clean.
- 3.6 Inspect all tubing for twists or kinks.
- 3.7 Replace valve cartridge.