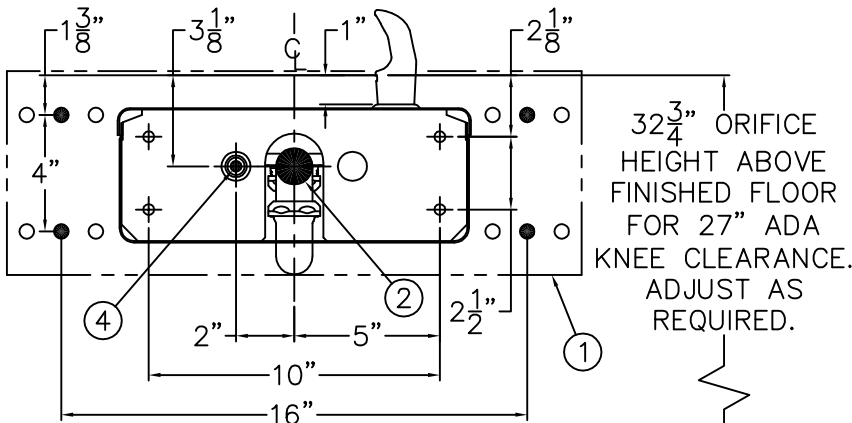
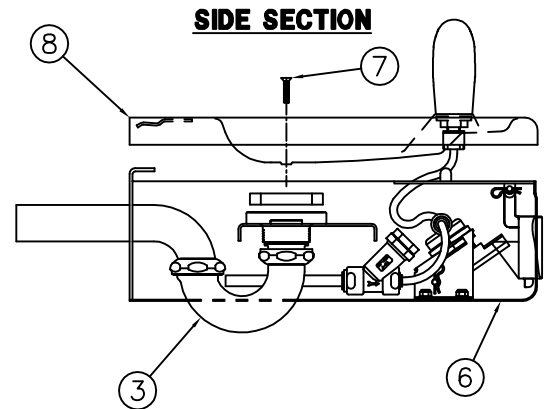


BUBBLER CONNECTION DETAIL



BACK ROUGH-IN VIEW



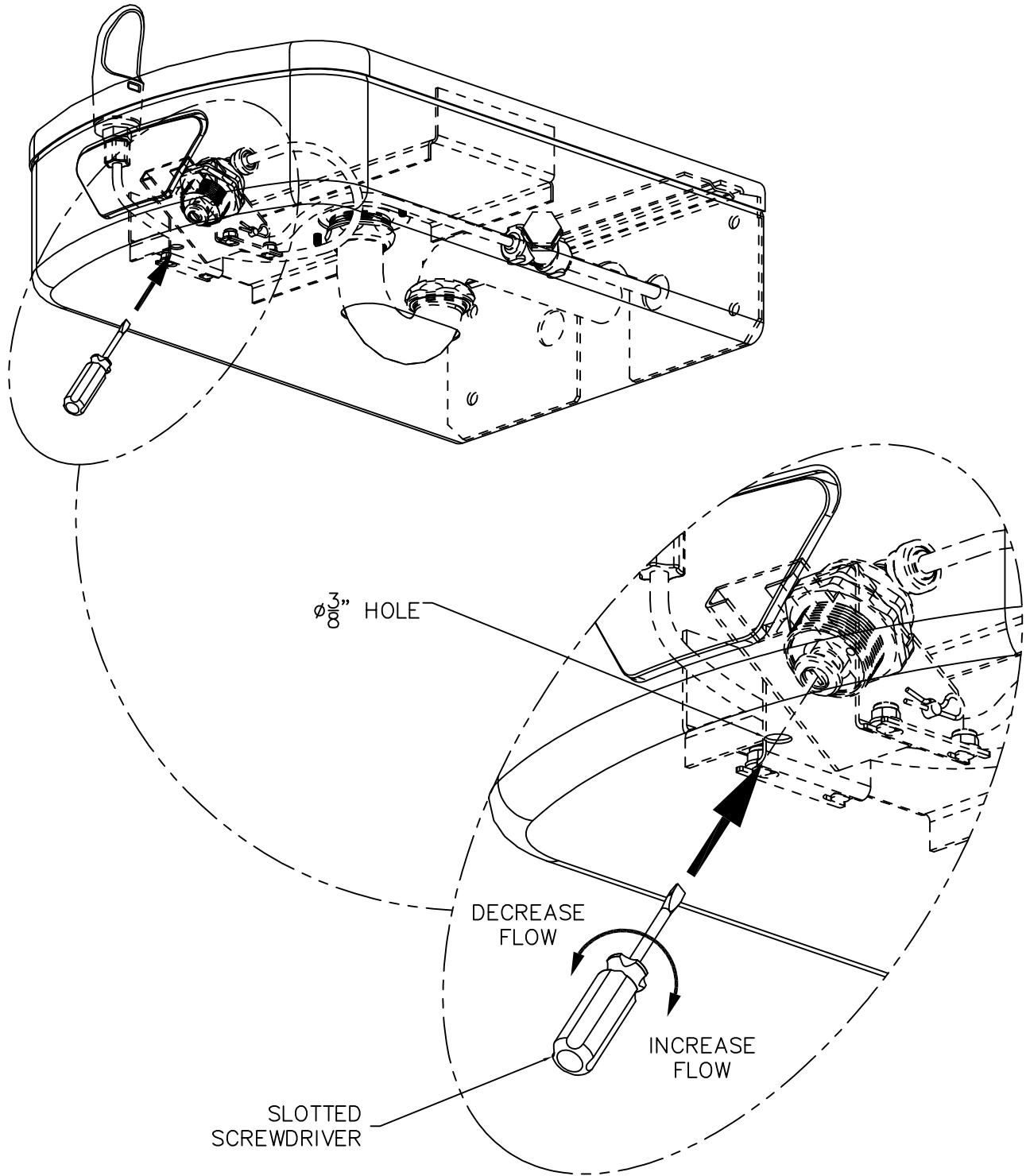
SIDE SECTION

INSTALLATION INSTRUCTIONS:

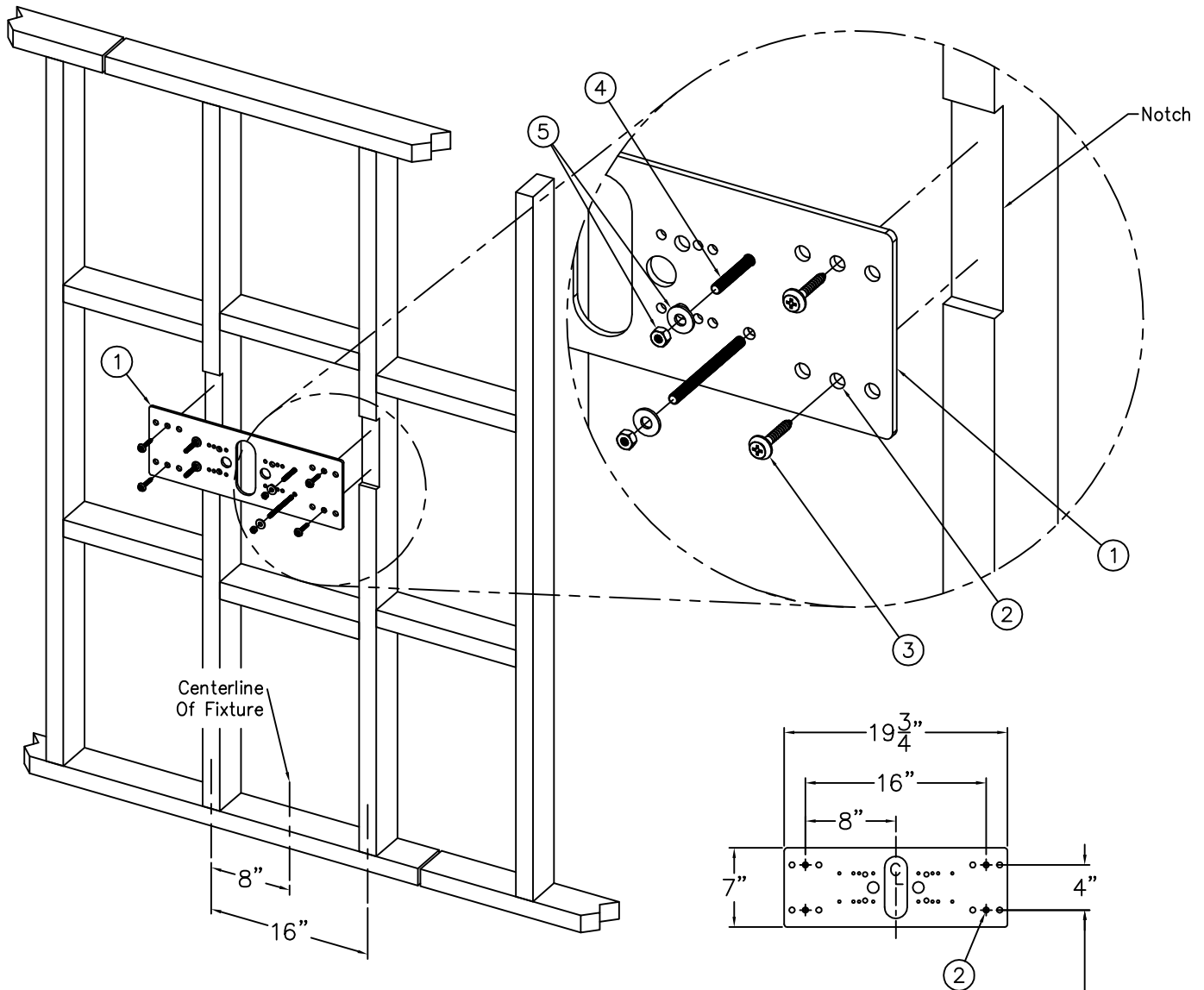
- A- REFER TO DRAWING # 9938-375-001 TO INSTALL STANDARD SUPPLIED WALL MOUNTING PLATE ①.
- B- ROUGH-IN WASTE OUTLET ② AT DIMENSION SHOWN FOR 1-1/4" OUTER DIAMETER PLAIN END P-TRAP ③.
- C- ROUGH-IN WATER SUPPLY ④ AT DIMENSION SHOWN FOR THE 1/4" NOMINAL (3/8" O.D.) x 4" LONG COPPER TUBE CONNECTED TO THE IN-LINE STRAINER ⑤ PROVIDED. STOP RECOMMENDED ON SUPPLY IS TO BE SUPPLIED BY OTHERS.
- D- CAREFULLY REMOVE FIXTURE ⑥ AND COMPONENTS FROM THE PACKAGING PREVENTING SCRATCHING AND DAMAGE.
- E- REMOVE SCREW ⑦. REMOVE FOUNTAIN TOP ⑧ BY LIFTING AT THE FRONT AND PULLING FORWARD. DISCONNECT TUBING ⑨ FROM BUBBLER BY UNSCREWING FERRULE NUT ⑩ AND SET TOP ⑧ ASIDE WHERE IT WILL NOT GET DAMAGED.
- F- SLIDE FIXTURE OVER STUDS FROM WALL MOUNTING PLATE ① AND SECURE WITH NUTS AND WASHERS ⑪.
- G- ASSEMBLE P-TRAP ③ TO DRAIN ADAPTER ⑫. ASSEMBLE TO UNIT WITH PHILLIPS SCREWS ⑬. MAKE-UP 1-1/4" O.D. WASTE CONNECTION.
- H- FLUSH WATER SUPPLY ④ BY OTHERS OF ALL DEBRIS PRIOR TO CONNECTING TO FIXTURE.
- I- CONNECT WATER SUPPLY ④ BY OTHERS TO 1/4" NOMINAL COPPER TUBE INLET. STOP ON THE SUPPLY IS RECOMMENDED.
- J- RE-ATTACH TUBING ⑨ TO BUBBLER WITH FERRULE NUT ⑩. TEST OPERATION OF BUBBLER BY DEPRESSING BUTTON ⑭. REFERENCE DRAWING # 9938-014-001 TO ADJUST THE FLOW RATE AS REQUIRED. CHECK ALL CONNECTIONS AND WASTE PIPING FOR LEAKS. CORRECT IF PRESENT.
- K- SET GASKET ⑮ ON ADAPTER ⑫ & RE-INSTALL TOP ⑧ BY ENGAGING BACK CLIP AND SECURING WITH SCREW ⑦.

ACORN AQUA
P.O. Box 3527 City of Industry, CA 91744
Phone: (800) 591-9360 www.acornaqua.com

TITLE 18 GAGE 14" LONG OVAL BOX WALL MOUNTED DRINKING FOUNTAIN		
MANUFACTURE DATE JANUARY 2006 TO PRESENT	DATE ISSUED 09/27/05	DRAWING NUMBER 9938-011-001
	DATE REVISED 12/01/05	



TITLE		
18 GAGE OVAL BOX DRINKING FOUNTAIN FLOW RATE ADJUSTMENT		
MANUFACTURE DATE	DATE ISSUED	DRAWING NUMBER
JANUARY 2006	09/27/05	9938-014-001
TO PRESENT	DATE REVISED	



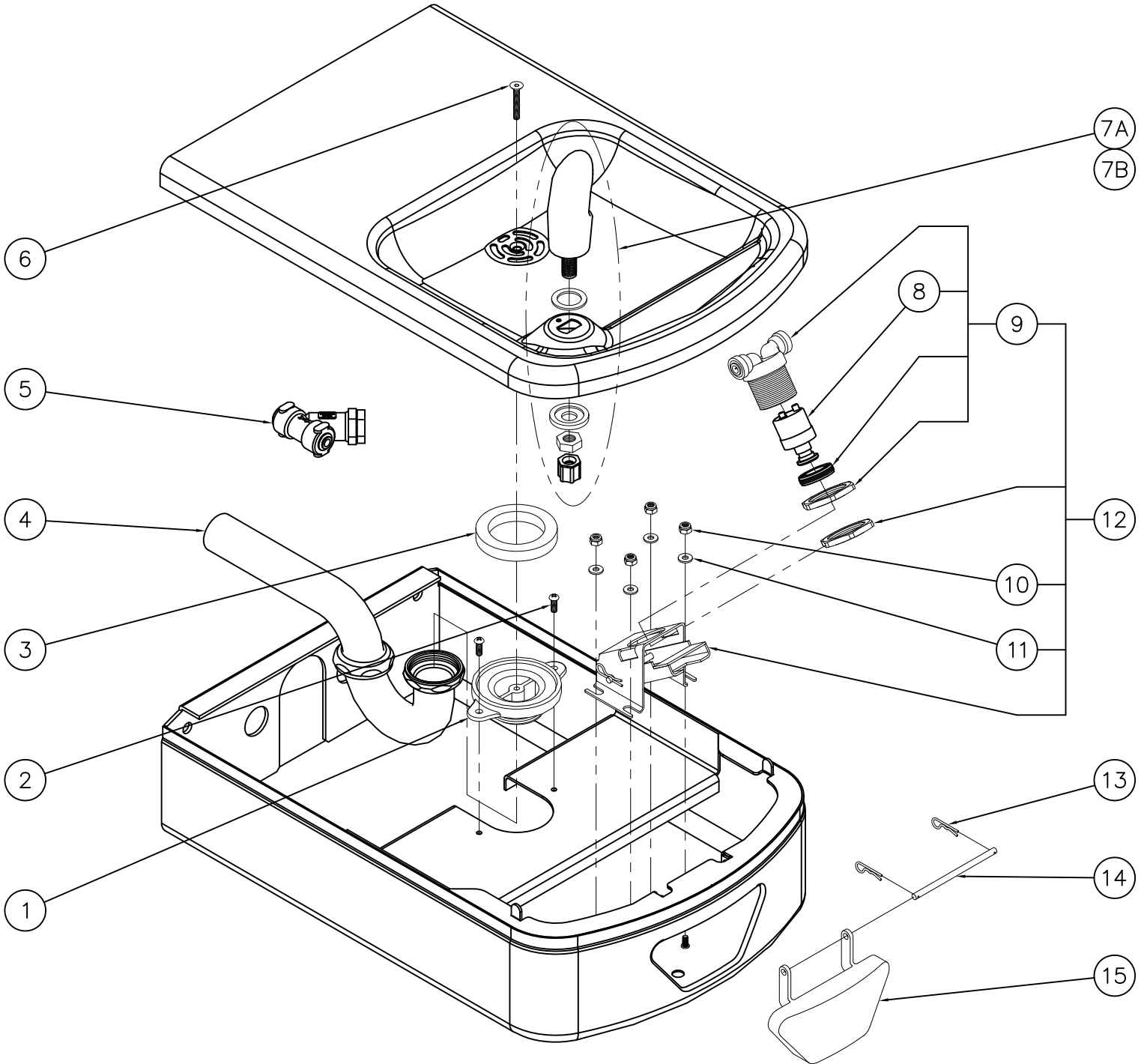
INSTALLATION INSTRUCTIONS:

- A- PROVIDE STRUCTURAL WALL SUPPORT AT THE 16" SPACING AS SHOWN FOR ANCHORING THE -MP1 MOUNTING PLATE ①.
- B- MOUNTING PLATE ① IS 1/4" THICK WITH 1/2" DIAMETER HOLES ② IN 12 PLACES FOR ANCHORING HARDWARE ③ BY OTHERS. NOTCH/PREPARE WALL SO THAT PLATE ① AND INSTALLER PROVIDED HARDWARE ③ WILL BE CONCEALED BEHIND THE WALL FINISHING MATERIAL.
- C- THREAD 5/16" ALL-THREAD STUDS ④ THRU PLATE ① SO THAT MINIMUM 1-1/4" OF STUD WILL PROTRUDE BEYOND THE FINISHED WALL FACE. REFERENCE FIXTURE ROUGH-INS FOR LOCATION.
- D- SECURELY ANCHOR PLATE ① TO WALL WITHIN NOTCHED AREA USING HARDWARE ③ BY OTHERS.
- E- MAKE APPROPRIATE SUPPLY AND WASTE ROUGH-INS THRU THE MOUNTING PLATE ①.


- F- COMPLETE INSTALLATION OF FINISHED WALL LEAVING STUDS ④ PROTRUDING AND ROUGH-INS ACCESSIBLE.
- G- SLIDE FIXTURE OVER STUDS ④ UP AGAINST FINISHED WALL AND SECURE WITH NUTS AND WASHERS ⑤. COMPLETE THE INSTALLATION REFERENCING THE FIXTURE INSTRUCTIONS.

ACORN AQUA
P.O. Box 3527 City of Industry, CA 91744
Phone: (800) 591-9360 www.acornaqua.com

TITLE STANDARD -MP1 WALL MOUNTING PLATE AND HARDWARE		
MANUFACTURE DATE JANUARY 2006 TO PRESENT	DATE ISSUED 09/28/05	DRAWING NUMBER 9938-375-001
	DATE REVISED 01/04/06	



1	7000-005-199	DRAIN ADAPTER	9	7000-050-001	VALVE ASSEMBLY
2	0116-016-000	PHILLIPS TRUSS HEAD SCREW	10	0308-009-000	NYLON INSERT LOCKNUT
3	7000-006-000	FLAT DRAIN ADAPTER GASKET	11	0331-004-000	FLAT WASHER
4	7000-015-000	1-1/4" OUTER DIAMETER P-TRAP	12	7001-008-001	VALVE ACTIVATION ASSEMBLY
5	7000-022-000	"Y" STRAINER	13	0341-100-000	WIRE CLIP
6	0152-040-000	ALLEN FLAT HEAD SCREW	14	7000-100-199	BLACK DELRIN SHAFT
7A	7000-002-001	STANDARD CHROME PLATED BRASS BUBBLER	15	7000-004-000	PUSH PAD
7B	7000-410-002	"F" OPTION FLEXIBLE BUBBLER ASSEMBLY			
8	7000-060-000	VALVE CARTRIDGE			

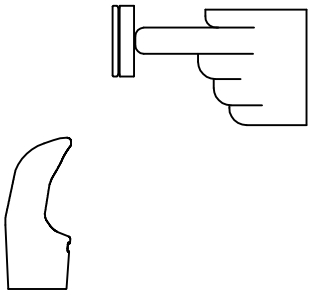

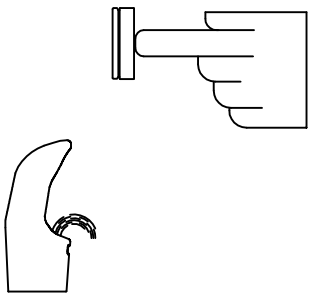
ITEM	PART NUMBER	DESCRIPTION	ITEM	PART NUMBER	DESCRIPTION
 ACORN AQUA P.O. Box 3527 City of Industry, CA 91744 Phone: (800) 591-9360 www.acornaqua.com		TITLE PUSH PAD OPERATED 18 GAGE OVAL BOX DRINKING FOUNTAIN			
MANUFACTURE DATE JANUARY 2006 TO PRESENT		DATE ISSUED 10/21/05 DATE REVISED 04/07/10		DRAWING NUMBER 9938-010-500	




STANDARD PUSH PAD / PUSH BUTTON DRINKING FOUNTAIN

CONDITION:

SOLUTION:

<p>NO WATER FLOW:</p> 	<ol style="list-style-type: none"> 1.1 Check water main supply – open. 1.2 Inspect stop (by others) – open & no debris. 1.3 Inspect in–line strainer for debris – clean. 1.4 Replace valve cartridge.
<p>WATER DRIPS / WILL NOT SHUT OFF:</p> 	<ol style="list-style-type: none"> 2.1 For push pad activated drinking fountains only: Open fixture and move valve bracket assembly further back from push pad. 2.2 Replace valve cartridge.
<p>REDUCED WATER FLOW:</p> 	<ol style="list-style-type: none"> 3.1 Adjust the valve flow rate. See appropriate fixture installation instructions. 3.2 Check water main supply for 20 psig minimum flow pressure. 3.3 Inspect stop (by others) – open & no debris. 3.4 Inspect in–line strainer for debris – clean. 3.5 Inspect bubbler for debris – clean. 3.6 Inspect all tubing for twists or kinks. 3.7 Replace valve cartridge.

 <p>ACORN AQUA P.O. Box 3527 City of Industry, CA 91744 Phone: (800) 591-9360 www.acornaqua.com</p>	<p>TITLE DRINKING FOUNTAIN VALVE MAINTENANCE INSTRUCTIONS</p>		
<p>MANUFACTURE DATE JANUARY 2006 TO PRESENT</p>	<p>DATE ISSUED 09/28/05</p>	<p>DRAWING NUMBER 9940-200-001</p>	
<p>DATE REVISED</p>			