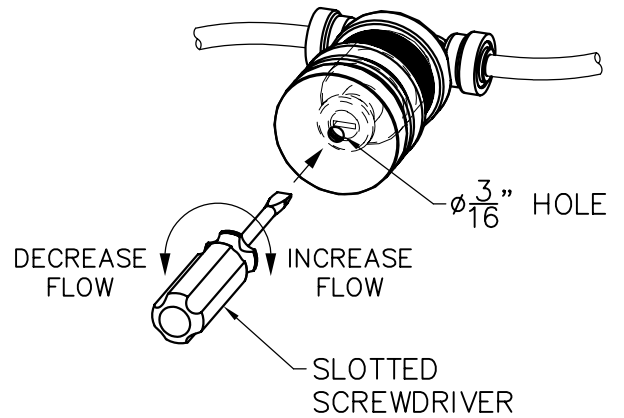
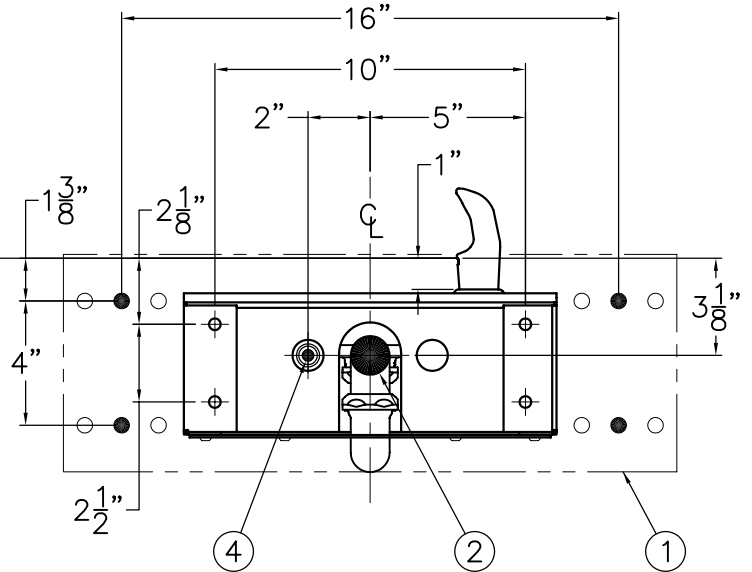


**DETAIL A
FLOW ADJUSTMENT**



BACK ROUGH-IN VIEW

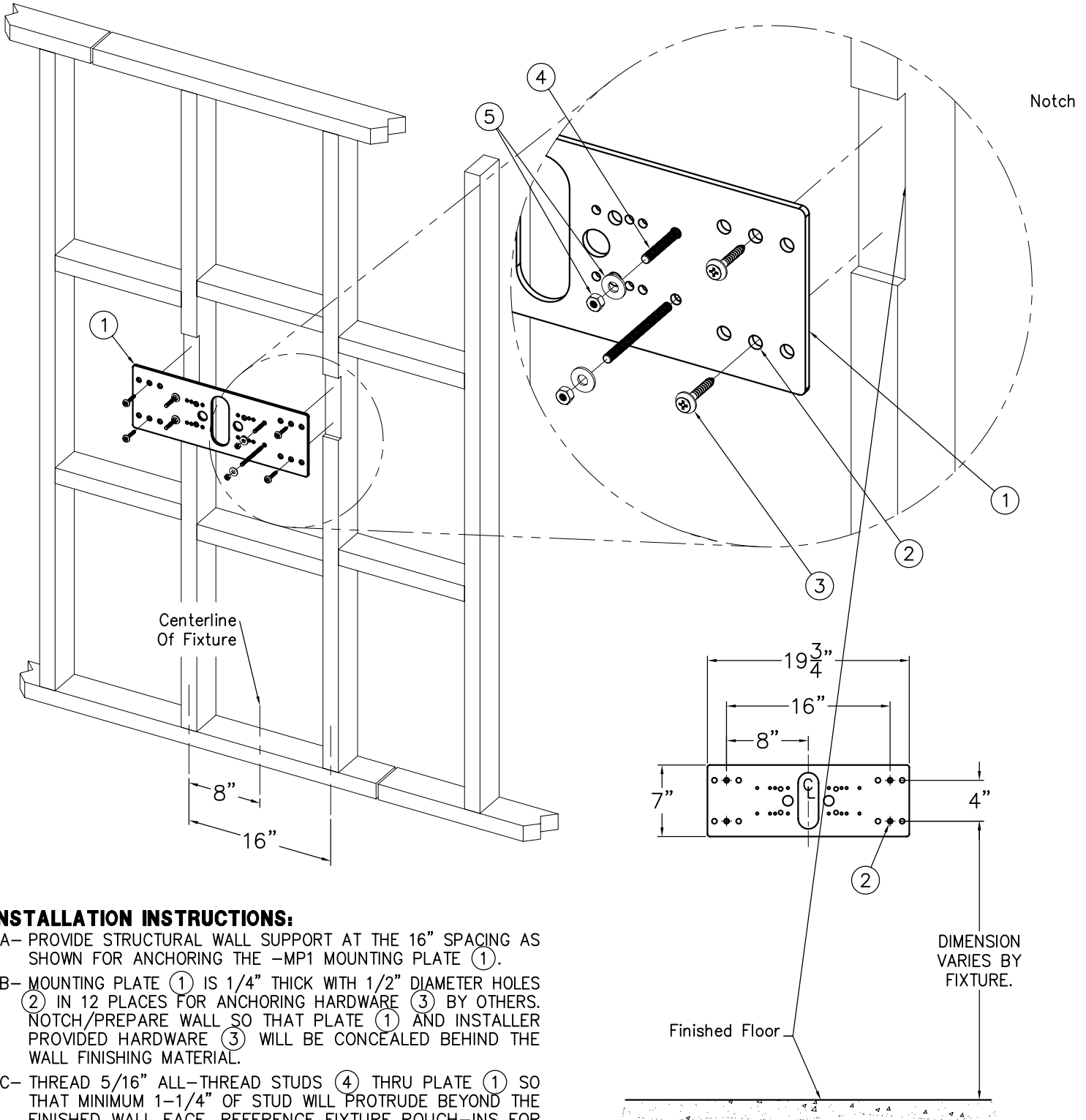


32 3/4" ORIFICE
HEIGHT ABOVE
FINISHED FLOOR
FOR 27" ADA KNEE
CLEARANCE. ADJUST
AS REQUIRED.

INSTALLATION INSTRUCTIONS:

- A- REFER TO DRAWING # 9938-375-001 TO INSTALL STANDARD SUPPLIED WALL MOUNTING PLATE (1).
- B- ROUGH-IN WASTE OUTLET (2) AT DIMENSION SHOWN FOR 1-1/4" OUTER DIAMETER PLAIN END P-TRAP (3).
- C- ROUGH-IN WATER SUPPLY (4) AT DIMENSION SHOWN FOR THE 1/4" NOMINAL (3/8" O.D.) x 4" LONG COPPER TUBE CONNECTED TO THE IN-LINE STRAINER (5) PROVIDED. STOP RECOMMENDED ON SUPPLY IS TO BE SUPPLIED BY OTHERS.
- D- CAREFULLY REMOVE FIXTURE (6) AND COMPONENTS FROM THE PACKAGING PREVENTING SCRATCHING AND DAMAGE.
- E- REMOVE BOTTOM ACCESS PANEL (7). ASSEMBLE P-TRAP (3) TO UNIT. ENSURE PUSHBUTTON (8) AND THE BUBBLER ARE SECURE AND CHECK ALL THE TUBING CONNECTIONS TO MAKE SURE THEY DID NOT COME LOOSE IN SHIPMENT.
- F- SLIDE FIXTURE OVER STUDS FROM WALL MOUNTING PLATE (1) AND SECURE WITH NUTS AND WASHERS (9).
- G- MAKE-UP 1-1/4" O.D. WASTE CONNECTION TO P-TRAP (3).
- H- FLUSH WATER SUPPLY (4) BY OTHERS OF ALL DEBRIS PRIOR TO CONNECTING TO FIXTURE.
- I- CONNECT WATER SUPPLY (4) BY OTHERS TO 1/4" NOMINAL COPPER TUBE INLET. STOP ON THE SUPPLY IS RECOMMENDED.
- J- TEST OPERATION OF BUBBLER BY DEPRESSING BUTTON (8). ADJUST THE FLOW RATE AS REQUIRED. SEE DETAIL A. CHECK ALL CONNECTIONS AND WASTE PIPING FOR LEAKS. CORRECT IF PRESENT.
- K- RE-INSTALL BOTTOM ACCESS PANEL (7).

<p>ACORN AQUA P.O. Box 3527 City of Industry, CA 91744 Phone: (800) 591-9360 www.acornaqua.com</p>	<p>TITLE 14 GAGE 18" LONG OVAL BOX WALL MOUNTED DRINKING FOUNTAIN</p>		
	<p>MANUFACTURE DATE</p> <p>JANUARY 2006</p> <p>TO PRESENT</p>	<p>DATE ISSUED</p> <p>09/27/05</p>	<p>DRAWING NUMBER</p> <p>9938-020-001</p>
		<p>DATE REVISED</p> <p>05/03/06</p>	

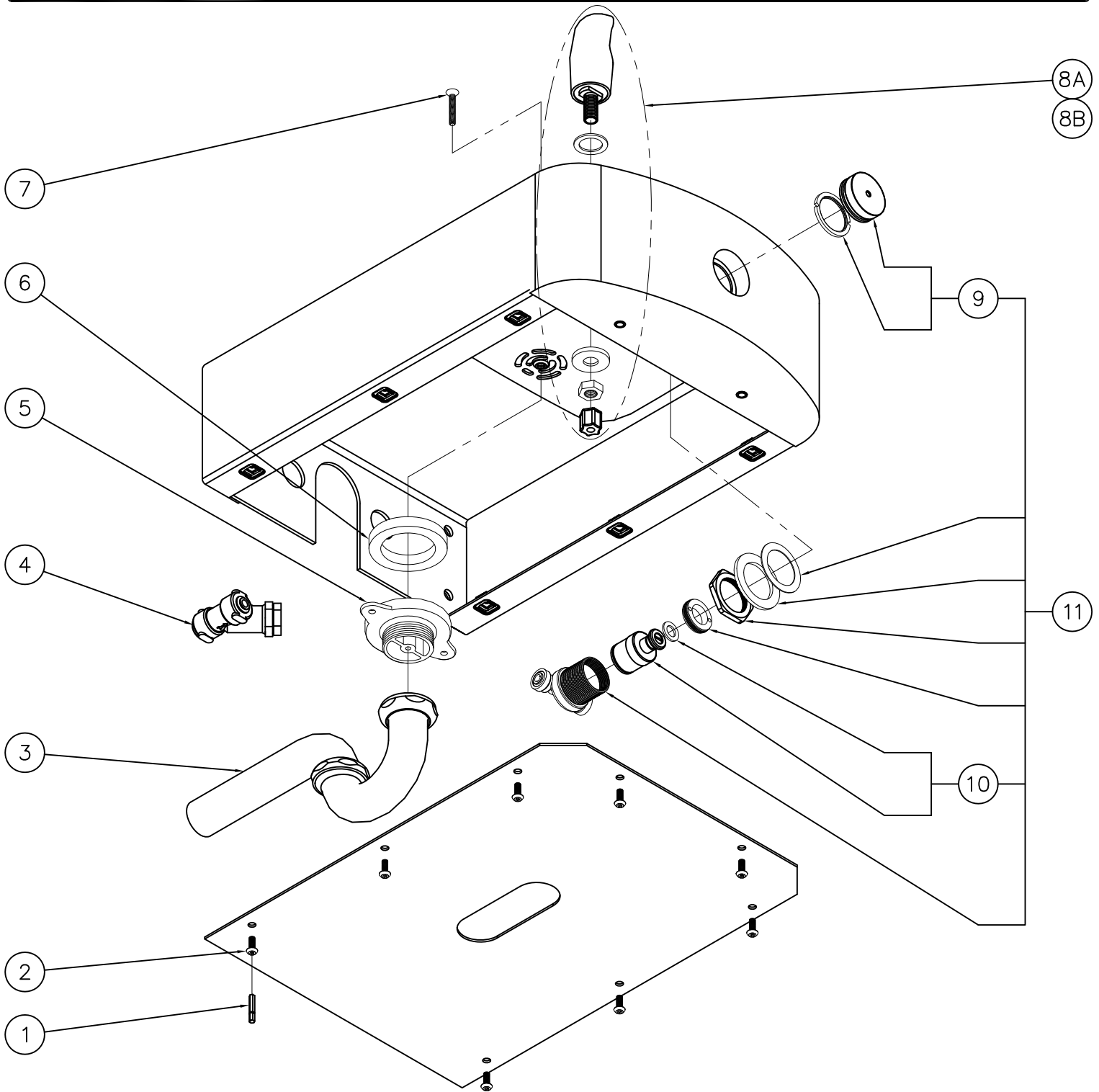


INSTALLATION INSTRUCTIONS:

- A- PROVIDE STRUCTURAL WALL SUPPORT AT THE 16" SPACING AS SHOWN FOR ANCHORING THE -MP1 MOUNTING PLATE ①.
- B- MOUNTING PLATE ① IS 1/4" THICK WITH 1/2" DIAMETER HOLES ② IN 12 PLACES FOR ANCHORING HARDWARE ③ BY OTHERS. NOTCH/PREPARE WALL SO THAT PLATE ① AND INSTALLER PROVIDED HARDWARE ③ WILL BE CONCEALED BEHIND THE WALL FINISHING MATERIAL.
- C- THREAD 5/16" ALL-THREAD STUDS ④ THRU PLATE ① SO THAT MINIMUM 1-1/4" OF STUD WILL PROTRUDE BEYOND THE FINISHED WALL FACE. REFERENCE FIXTURE ROUGH-INS FOR LOCATION.
- D- SECURELY ANCHOR PLATE ① TO WALL WITHIN NOTCHED AREA USING HARDWARE ③ BY OTHERS.
- E- MAKE APPROPRIATE SUPPLY AND WASTE ROUGH-INS THRU THE MOUNTING PLATE ①.

- F- COMPLETE INSTALLATION OF FINISHED WALL LEAVING STUDS ④ PROTRUDING AND ROUGH-INS ACCESSIBLE.
- G- SLIDE FIXTURE OVER STUDS ④ UP AGAINST FINISHED WALL AND SECURE WITH NUTS AND WASHERS ⑤. COMPLETE THE INSTALLATION REFERENCING THE FIXTURE INSTRUCTIONS.

<p>ACORN AQUA P.O. Box 3527 City of Industry, CA 91744 Phone: (800) 591-9360 www.acornaqua.com</p>	<p>TITLE STANDARD -MP1 WALL MOUNTING PLATE AND HARDWARE</p>		
	<p>MANUFACTURE DATE</p> <p>JANUARY 2006</p> <p>TO PRESENT</p>	<p>DATE ISSUED</p> <p>09/28/05</p> <p>DATE REVISED</p> <p>01/04/06</p>	<p>DRAWING NUMBER</p> <p>9938-375-001</p>



1	0296-025-199	CENTER REJECT HEX DRIVER BIT	7	0152-010-000	CENTER REJECT ALLEN FLAT HEAD SCREW
2	0112-002-000	CENTER REJECT ALLEN BUTTON HEAD SCREW	8A	7000-002-001	STANDARD CHROME PLATED BRASS BUBBLER
3	7000-015-000	1-1/4" OUTER DIAMETER P-TRAP	8B	7000-410-002	"F" OPTION FLEXIBLE BUBBLER ASSEMBLY
4	7000-022-000	"Y" STRAINER	9	7000-068-001	RETAINING RING & BUTTON ASSEMBLY
5	7000-005-199	DRAIN ADAPTER	10	7000-069-001	VALVE CARTRIDGE WITH FOAM WASHER
6	7000-006-000	FLAT DRAIN ADAPTER GASKET	11	7000-065-001	RECESSED PUSHBUTTON VALVE ASSEMBLY
ITEM	PART NUMBER	DESCRIPTION	ITEM	PART NUMBER	DESCRIPTION



ACORN AQUA
P.O. Box 3527 City of Industry, CA 91744
Phone: (800) 591-9360 www.acornaqua.com

TITLE **14 GAGE OVAL BOX DRINKING FOUNTAIN**

MANUFACTURE DATE
JANUARY 2006
TO PRESENT

DATE ISSUED
10/21/05
DATE REVISED
04/07/10

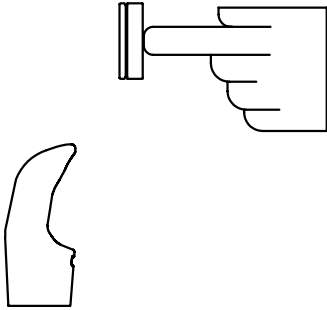
DRAWING NUMBER
9938-020-500

STANDARD PUSH PAD / PUSH BUTTON DRINKING FOUNTAIN

CONDITION:

SOLUTION:

NO WATER FLOW:



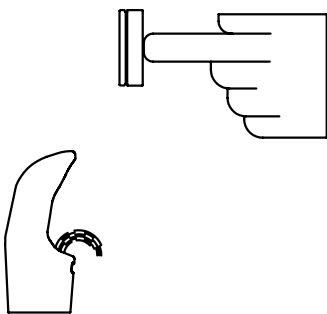
- 1.1 Check water main supply – open.
- 1.2 Inspect stop (by others) – open & no debris.
- 1.3 Inspect in–line strainer for debris – clean.
- 1.4 Replace valve cartridge.

WATER DRIPS / WILL NOT SHUT OFF:



- 2.1 For push pad activated drinking fountains only: Open fixture and move valve bracket assembly further back from push pad.
- 2.2 Replace valve cartridge.

REDUCED WATER FLOW:



- 3.1 Adjust the valve flow rate. See appropriate fixture installation instructions.
- 3.2 Check water main supply for 20 psig minimum flow pressure.
- 3.3 Inspect stop (by others) – open & no debris.
- 3.4 Inspect in–line strainer for debris – clean.
- 3.5 Inspect bubbler for debris – clean.
- 3.6 Inspect all tubing for twists or kinks.
- 3.7 Replace valve cartridge.