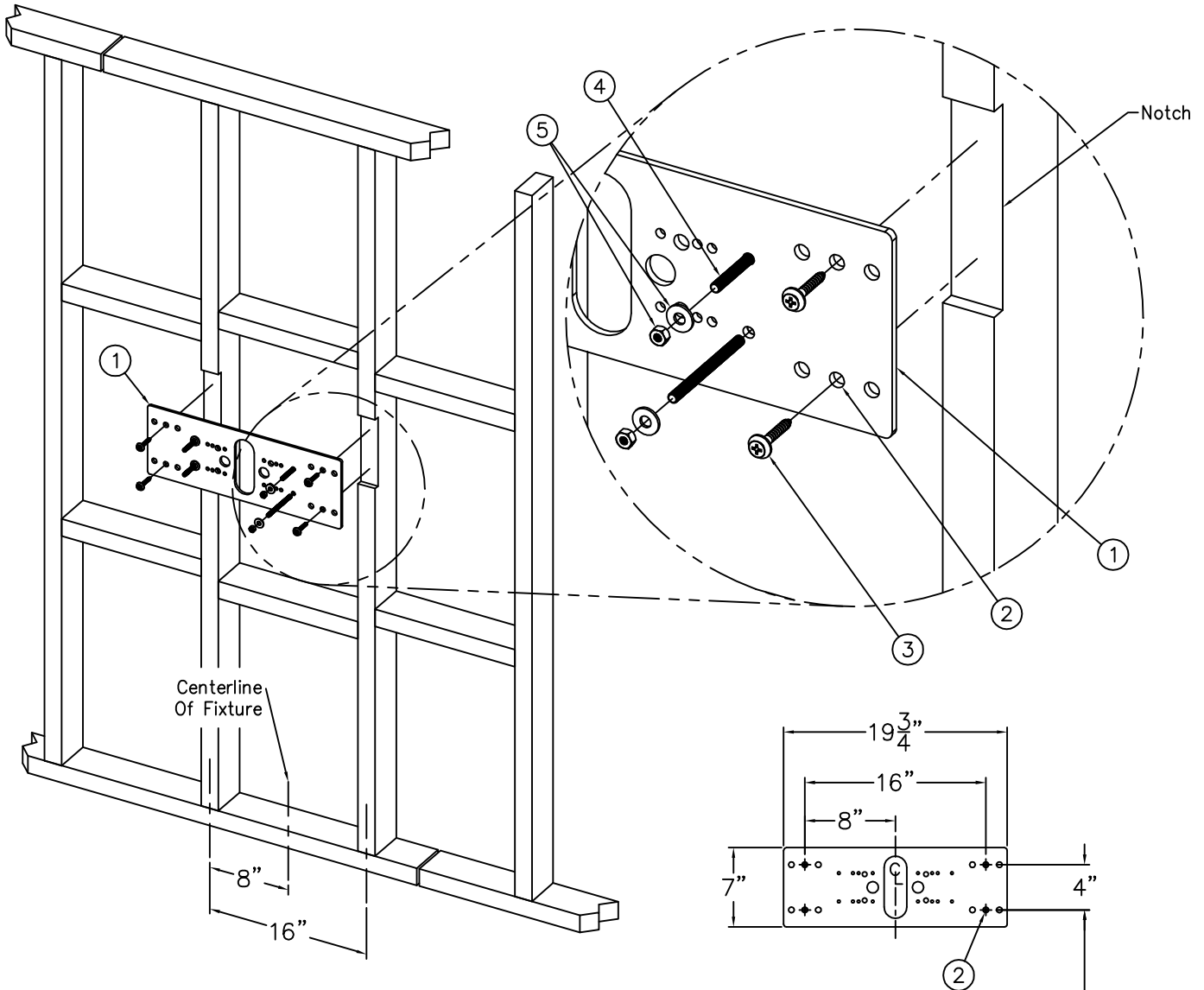


32 3/4" ORIFICE
HEIGHT ABOVE
FINISHED FLOOR
FOR 27" ADA
KNEE CLEARANCE.
ADJUST AS
REQUIRED.

INSTALLATION INSTRUCTIONS:

- A- REFER TO DRAWING # 9938-375-001 TO INSTALL STANDARD SUPPLIED WALL MOUNTING PLATE ①.
- B- ROUGH-IN WASTE OUTLET ② AT DIMENSION SHOWN FOR 1-1/4" OUTER DIAMETER PLAIN END P-TRAP ③.
- C- ROUGH-IN WATER SUPPLY ④ AT DIMENSION SHOWN FOR THE 1/4" NOMINAL (3/8" O.D.) x 4" LONG COPPER TUBE CONNECTED TO IN-LINE STRAINER ⑤ PROVIDED. STRAIGHT STOP RECOMMENDED ON SUPPLY TO BE SUPPLIED BY OTHERS.
- D- CAREFULLY REMOVE FIXTURE ⑥ AND COMPONENTS FROM THE PACKAGING PREVENTING SCRATCHING AND DAMAGE.
- E- REMOVE SCREW ⑦. REMOVE FOUNTAIN TOP ⑧ BY LIFTING AT THE FRONT AND PULLING FORWARD. DISCONNECT TUBING ⑨ FROM BUBBLER BY UNSCREWING FERRULE NUT AND SET TOP ⑧ ASIDE WHERE IT WILL NOT GET DAMAGED.
- F- SLIDE FIXTURE OVER STUDS FROM WALL MOUNTING PLATE ① AND SECURE WITH NUTS AND WASHERS ⑩.
- G- ASSEMBLE P-TRAP ③ TO DRAIN ADAPTER ⑪. ASSEMBLE TO UNIT WITH PHILLIPS SCREWS ⑫. MAKE-UP 1-1/4" O.D. WASTE CONNECTION.
- H- FLUSH WATER SUPPLY ④ BY OTHERS OF ALL DEBRIS PRIOR TO CONNECTING TO FIXTURE.
- I- CONNECT WATER SUPPLY ④ BY OTHERS TO 1/4" NOMINAL COPPER TUBE INLET. STRAIGHT SUPPLY STOP RECOMMENDED.
- J- RE-ATTACH TUBING ⑨ TO BUBBLER WITH FERRULE NUT. TEST OPERATION OF BUBBLER BY DEPRESSING BUTTON ⑬. ADJUST FLOW RATE AS REQUIRED. CHECK ALL CONNECTIONS AND WASTE PIPING FOR LEAKS. CORRECT IF PRESENT.
- K- SET GASKET ⑭ ON ADAPTER ⑪ & RE-INSTALL TOP ⑧ BY ENGAGING BACK CLIP AND SECURING WITH SCREW ⑦.

<p>ACORN AQUA P.O. Box 3527 City of Industry, CA 91744 Phone: (800) 591-9360 www.acornaqua.com</p>	<p>TITLE CONTOURED WALL MOUNTED DRINKING FOUNTAIN</p>		
	<p>MANUFACTURE DATE</p> <p>JANUARY 2006</p> <p>TO PRESENT</p>	<p>DATE ISSUED</p> <p>09/22/05</p> <p>DATE REVISED</p> <p>11/30/05</p>	<p>DRAWING NUMBER</p> <p>9938-000-001</p>



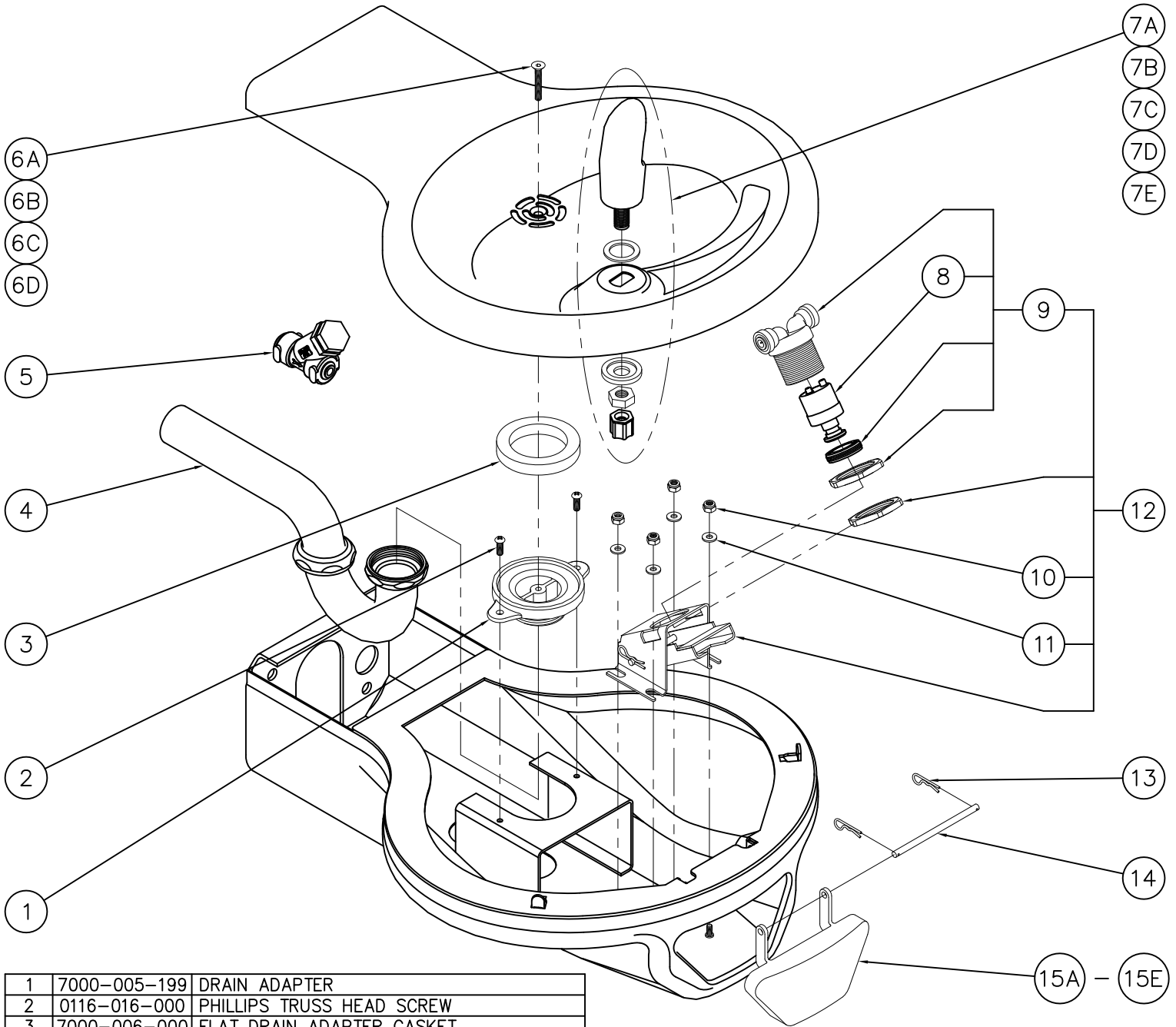
INSTALLATION INSTRUCTIONS:

- A- PROVIDE STRUCTURAL WALL SUPPORT AT THE 16" SPACING AS SHOWN FOR ANCHORING THE -MP1 MOUNTING PLATE (1).
- B- MOUNTING PLATE (1) IS 1/4" THICK WITH 1/2" DIAMETER HOLES (2) IN 12 PLACES FOR ANCHORING HARDWARE (3) BY OTHERS. NOTCH/PREPARE WALL SO THAT PLATE (1) AND INSTALLER PROVIDED HARDWARE (3) WILL BE CONCEALED BEHIND THE WALL FINISHING MATERIAL.
- C- THREAD 5/16" ALL-THREAD STUDS (4) THRU PLATE (1) SO THAT MINIMUM 1-1/4" OF STUD WILL PROTRUDE BEYOND THE FINISHED WALL FACE. REFERENCE FIXTURE ROUGH-INS FOR LOCATION.
- D- SECURELY ANCHOR PLATE (1) TO WALL WITHIN NOTCHED AREA USING HARDWARE (3) BY OTHERS.
- E- MAKE APPROPRIATE SUPPLY AND WASTE ROUGH-INS THRU THE MOUNTING PLATE (1).

- F- COMPLETE INSTALLATION OF FINISHED WALL LEAVING STUDS (4) PROTRUDING AND ROUGH-INS ACCESSIBLE.
- G- SLIDE FIXTURE OVER STUDS (4) UP AGAINST FINISHED WALL AND SECURE WITH NUTS AND WASHERS (5). COMPLETE THE INSTALLATION REFERENCING THE FIXTURE INSTRUCTIONS.

ACORN AQUA
 P.O. Box 3527 City of Industry, CA 91744
 Phone: (800) 591-9360 www.acornaqua.com

TITLE STANDARD -MP1 WALL MOUNTING PLATE AND HARDWARE		
MANUFACTURE DATE JANUARY 2006 TO PRESENT	DATE ISSUED 09/28/05 DATE REVISED 01/04/06	DRAWING NUMBER 9938-375-001



1	7000-005-199	DRAIN ADAPTER	9	7000-050-001	VALVE ASSEMBLY
2	0116-016-000	PHILLIPS TRUSS HEAD SCREW	10	0308-009-000	NYLON INSERT LOCKNUT
3	7000-006-000	FLAT DRAIN ADAPTER GASKET	11	0331-004-000	FLAT WASHER
4	7000-015-000	1-1/4" OUTER DIAMETER P-TRAP	12	7001-008-001	VALVE ACTIVATION ASSEMBLY
5	7000-022-000	"Y" STRAINER	13	0341-100-000	WIRE CLIP
6A	0152-040-000	STAINLESS STEEL ALLEN FLAT HEAD SCREW	14	7000-100-199	BLACK DELRIN SHAFT
6B	0152-040-015	ALLEN FLAT HEAD SCREW - "2" BRONZE	15A	7000-004-000	PUSH PAD
6C	0152-040-016	ALLEN FLAT HEAD SCREW - "3" GOLD	15B	7000-004-015	PUSH PAD - "2" BRONZE
6D	0152-040-018	ALLEN SCREW - "3" -HP HIGH POLISH GOLD	15C	7000-004-016	PUSH PAD - "3" GOLD
7A	7000-002-001	STANDARD CHROME PLATED BRASS BUBBLER	15D	7000-004-017	PUSH PAD - CHROME -HP HIGH POLISH
7B	7000-702-015	BRASS BUBBLER - "2" BRONZE	15E	7000-004-018	PUSH PAD - "3" -HP HIGH POLISH GOLD
7C	7000-702-016	BRASS BUBBLER - "3" GOLD			
7D	7000-702-018	BRASS BUBBLER - "3" -HP HIGH POLISH GOLD			
7E	7000-410-002	"F" OPTION FLEXIBLE BUBBLER ASSEMBLY			
8	7000-060-000	VALVE CARTRIDGE			
ITEM	PART NUMBER	DESCRIPTION	ITEM	PART NUMBER	DESCRIPTION

ACORN AQUA
 P.O. Box 3527 City of Industry, CA 91744
 Phone: (800) 591-9360 www.acornaqua.com

TITLE **PUSH PAD OPERATED CONTOURED DRINKING FOUNTAIN**

MANUFACTURE DATE
JANUARY 2006
TO PRESENT

DATE ISSUED
09/22/05
 DATE REVISED
04/07/10

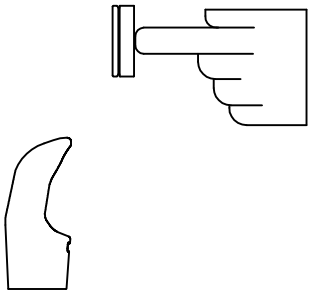

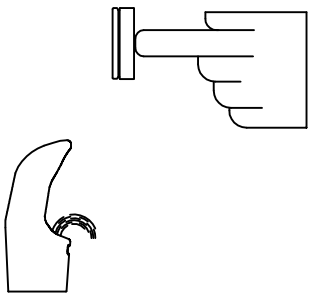
DRAWING NUMBER
9938-000-500




STANDARD PUSH PAD / PUSH BUTTON DRINKING FOUNTAIN

CONDITION:

SOLUTION:

<p>NO WATER FLOW:</p> 	<ol style="list-style-type: none"> 1.1 Check water main supply – open. 1.2 Inspect stop (by others) – open & no debris. 1.3 Inspect in–line strainer for debris – clean. 1.4 Replace valve cartridge.
<p>WATER DRIPS / WILL NOT SHUT OFF:</p> 	<ol style="list-style-type: none"> 2.1 For push pad activated drinking fountains only: Open fixture and move valve bracket assembly further back from push pad. 2.2 Replace valve cartridge.
<p>REDUCED WATER FLOW:</p> 	<ol style="list-style-type: none"> 3.1 Adjust the valve flow rate. See appropriate fixture installation instructions. 3.2 Check water main supply for 20 psig minimum flow pressure. 3.3 Inspect stop (by others) – open & no debris. 3.4 Inspect in–line strainer for debris – clean. 3.5 Inspect bubbler for debris – clean. 3.6 Inspect all tubing for twists or kinks. 3.7 Replace valve cartridge.

 <p>ACORN AQUA P.O. Box 3527 City of Industry, CA 91744 Phone: (800) 591-9360 www.acornaqua.com</p>	<p>TITLE DRINKING FOUNTAIN VALVE MAINTENANCE INSTRUCTIONS</p>		
<p>MANUFACTURE DATE JANUARY 2006 TO PRESENT</p>	<p>DATE ISSUED 09/28/05</p>	<p>DRAWING NUMBER 9940-200-001</p>	
<p>DATE REVISED</p>			