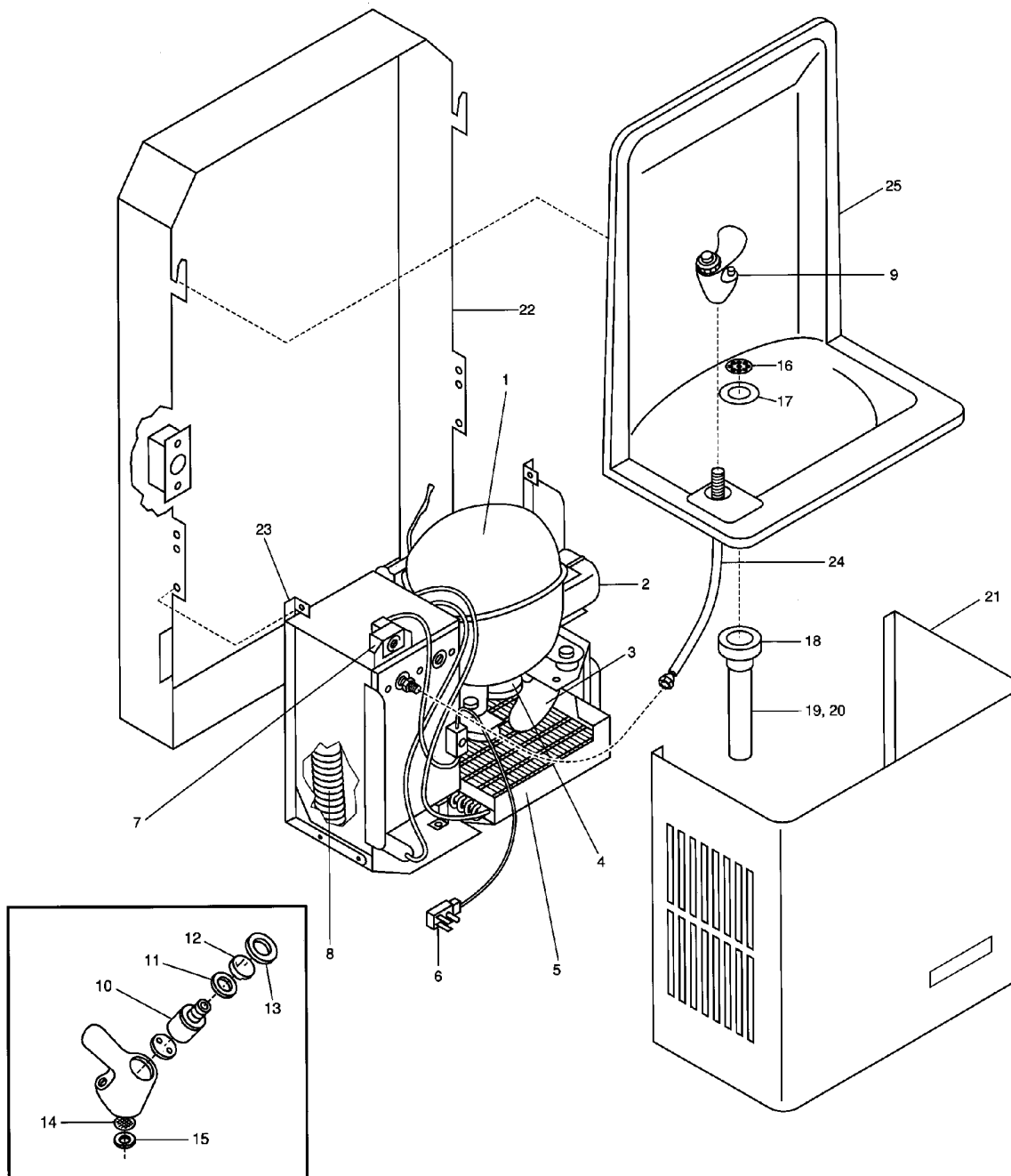


WALL MOUNTED WATER COOLER

SRC-8 & SRC-12



View A

Exploded View of Item #9

Instructions for changing the Cartridge in A020038 (Lead Free)

1. Turn off water shut-off valve
2. Unscrew hex nut
3. Remove button
4. Remove retaining nut with spanner wrench
5. Remove Cartridge and gasket
6. Insert new cartridge
7. Reassemble reversing above sequence

Parts List for Water Cooler Models: SRC-8 & SRC-12

| ITEM | PART NUMBER | DESCRIPTION |
|------|-------------|--|
| 1 | AA00005-SP | Compressor 1/5 h.p. |
| | AA00027-SP | Compressor 115V (uses Spade Connections) |
| 2 | AA00005-T1 | Overload |
| | AA00005-T2 | Relay |
| | C026403-10 | Relay MRP26ALL-69 (uses Spade Connections) |
| | C026411-06 | Overload 9660-042-166 (uses Spade Connections) |
| 3 | C026053 | Fan Blade |
| | D036186-02 | Fan Motor (uses Spade Connections) |
| 4 | B153475 | Fan Motor (eyelet) |
| 5 | C026226 | Condenser |
| 6 | C026392-01 | Wiring Harness (uses Spade Connections) |
| | C026382-04 | 16" Wire Assembly |
| | B153391 | Wiring Harness (eyelet) |
| 7 | C026376-03 | Cold Thermostat |
| | A016241 | Cold Thermostat (eyelet) |
| 8 | 323-SP | Evaporator |
| 9 | B153425-01 | Bubbler |
| 10 | B153468-01 | Cartridge |
| 11 | A020957 | Retainer Nut |
| 12 | A016649 | Chrome Cap |
| 13 | A016648 | Chrome Nut |
| 14 | A018782 | Screen |
| 15 | A021095 | Washer |
| 16 | A016876 | Drain Grid |
| 17 | A015982 | Drain Washer |
| 18 | A015891 | Drain Fitting |
| 19 | A015981 | Drain SRC-8 |
| 20 | B153754-SP | Precooler SRC-12 |
| 21 | D035711-19 | Apron Pewter |
| | D035711-31 | Apron Stainless Steel |
| 22 | 14660000 | Mounting Box |
| 23 | B153366-34 | Hanger Bracket |
| 24 | A015786-SP | Cold Water Line |
| 25 | D035526 | Basin |

NOTE: Contact service department for information on compressors not shown on this page. This sheet cancels all previous lists for this model.