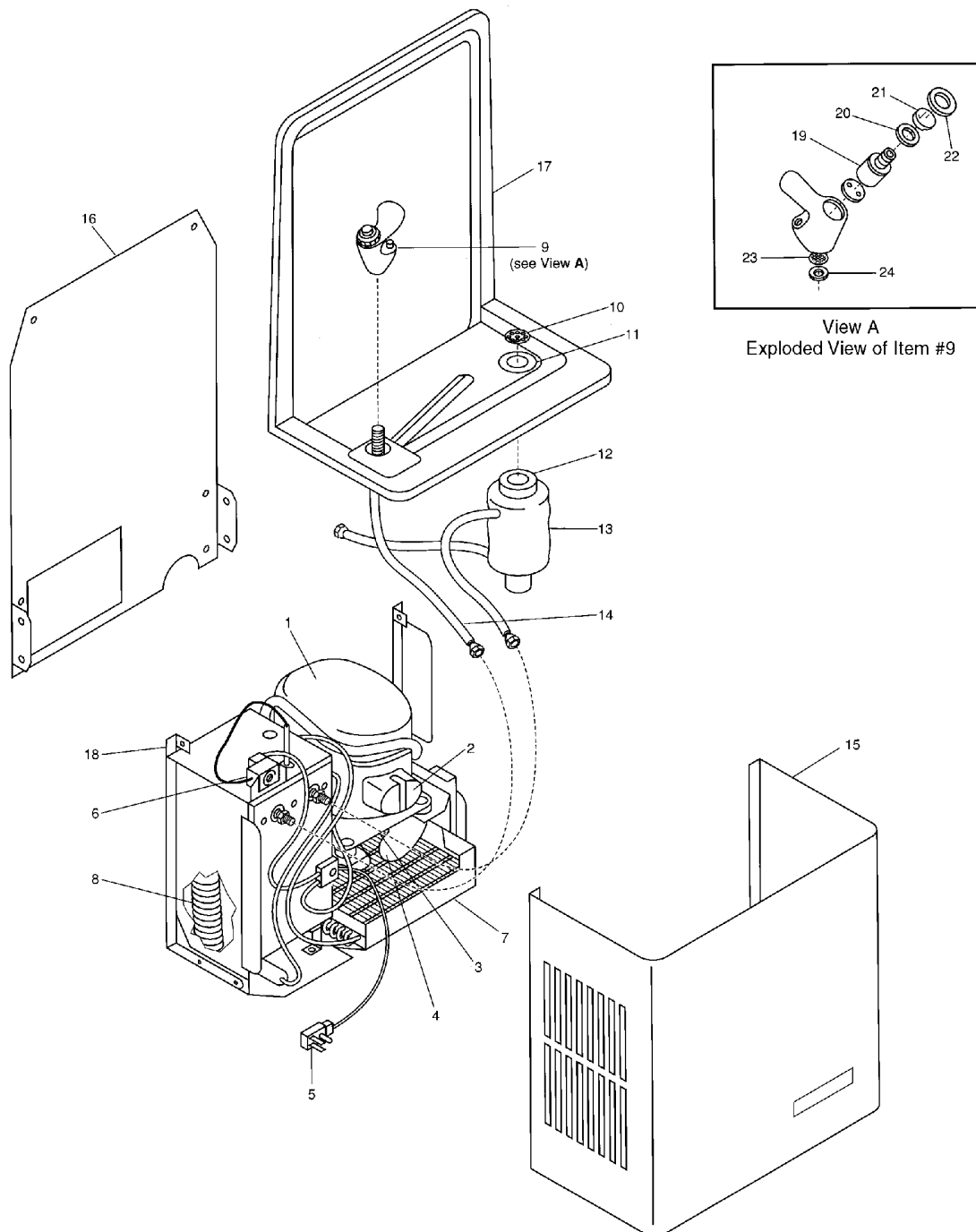


WALL MOUNTED WATER COOLER

PSR-8 & PSR-12



Instructions for changing the Cartridge in A020038 (Lead Free)

1. Turn off water shut-off valve
2. Unscrew hex nut
3. Remove button
4. Remove retaining nut with spanner wrench
5. Remove Cartridge and gasket
6. Insert new cartridge
7. Reassemble reversing above sequence

Parts List for Water Cooler Models: PSR-8 & PSR-12

ITEM	PART NUMBER	DESCRIPTION
1	AA00005-SP	Compressor 1/5 h.p.
	AA00027-SP	Compressor 115V (uses Spade Connections)
2	AA00005-T1	Overload
	AA00005-T2	Relay
	C026403-10	Relay MRP26ALL-69 (uses Spade Connections)
	C026411-06	Overload 9660-042-166 (uses Spade Connections)
3	B153475	Fan Motor (eyelet)
	D036186-02	Fan Motor (uses Spade Connections)
4	C026053	Fan Blade
5	B153391	Wiring Harness (eyelet)
	C026392-01	Wiring Harness
	C026382-04	16" Wire Assembly
6	A016241	Cold Thermostat (eyelet)
	C026376-03	Cold Thermostat
7	C026226	Condenser
8	323-SP	Evaporator
9	B153425-01	Bubbler
10	A016876	Drain Grid
11	A016880	Drain Fitting
12	A015982	Rubber Washer
13	B153755-SP	Precooler PSR-12
	A015981	Drain PSR-8
14	A015786-SP	Cold Water Line
15	D035711-19	Apron Pewter
	D035711-31	Apron Stainless Steel
16	B153461	Mounting Bracket
17	D035348	Basin
18	B153366-34	Refrigeration Unit Bracket
19	B153468-01	Cartridge
20	A020957	Retainer Nut
21	A016649	Chrome Cap
22	A016648	Hex Nut
23	A018782	Screen
24	A021095	Washer

NOTE: Contact service department for information on compressors not shown on this page. This sheet cancels all previous lists for this model.