



Illustrated Parts Breakdown

Models: **P8AM-D100,**
P8AMSL, &
PR8AMSL



SPECIFICATIONS:

Models: P8AM-D100, P8AMS-D100, & PR8AMS-D100

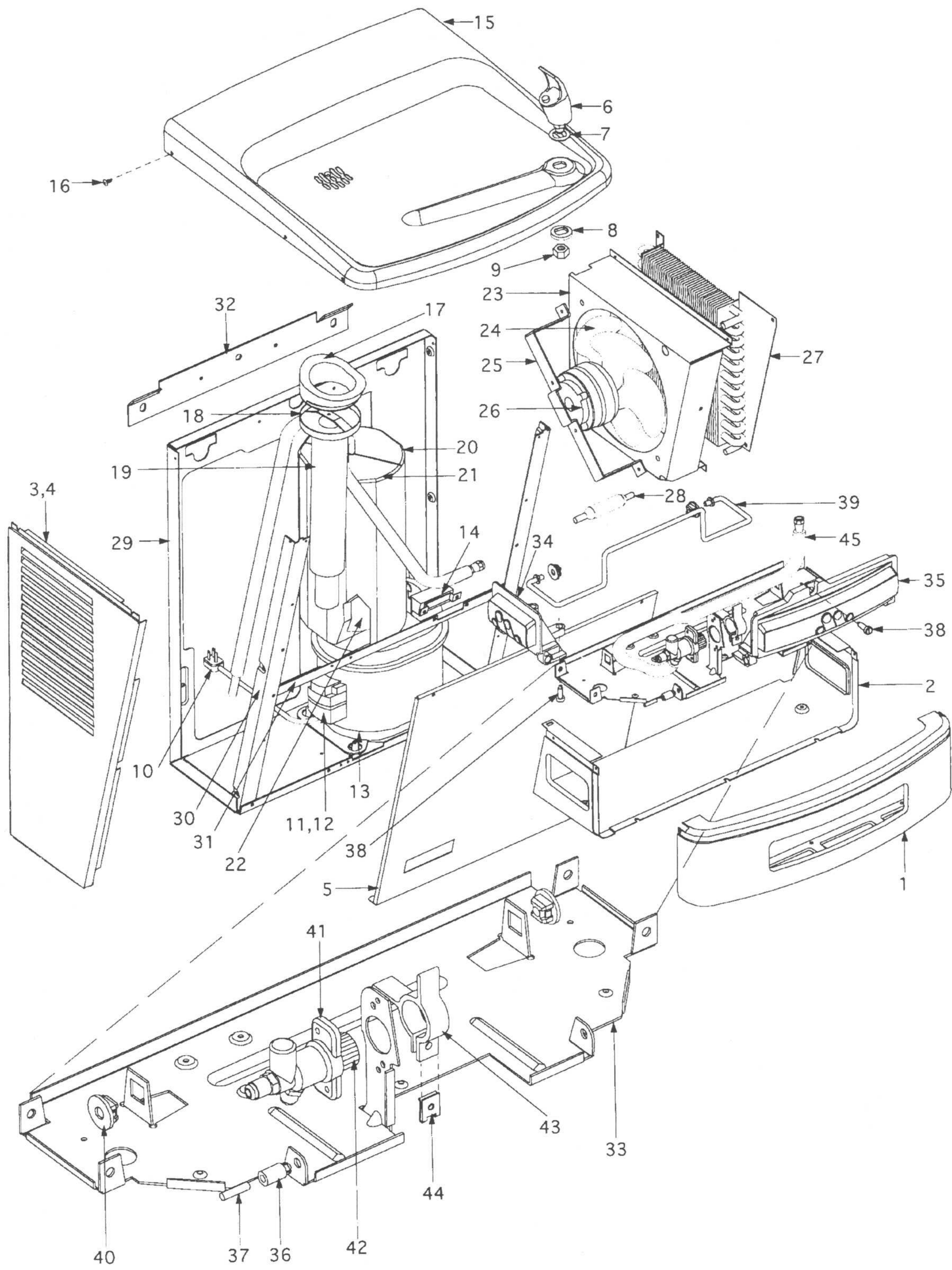
Voltage	115VAC±10%/1 PH/60 Hertz
Size	38 3/8"H, 12 1/2"W, 12 1/2"D
Shipping Weight (Approx)	68 lbs.
Cold Water Capacity*	8 GPH
Compressor	1/20 hp
Compressor (Full Load)	1.2 amps
Refrigerant	134a
Refrigerant Charge	OZ

Models: PAMS-001 & PRAMS-001

Size	38 3/8"H, 12 1/2"W, 12 1/2"D
Shipping Weight (Approx)	45 lbs.

*A.R.I. Ratings: Room Temperature 90°F; Supply Water Temperature 90°F; Drinking Water Temperature 50°F.

Specifications subject to change without notice.

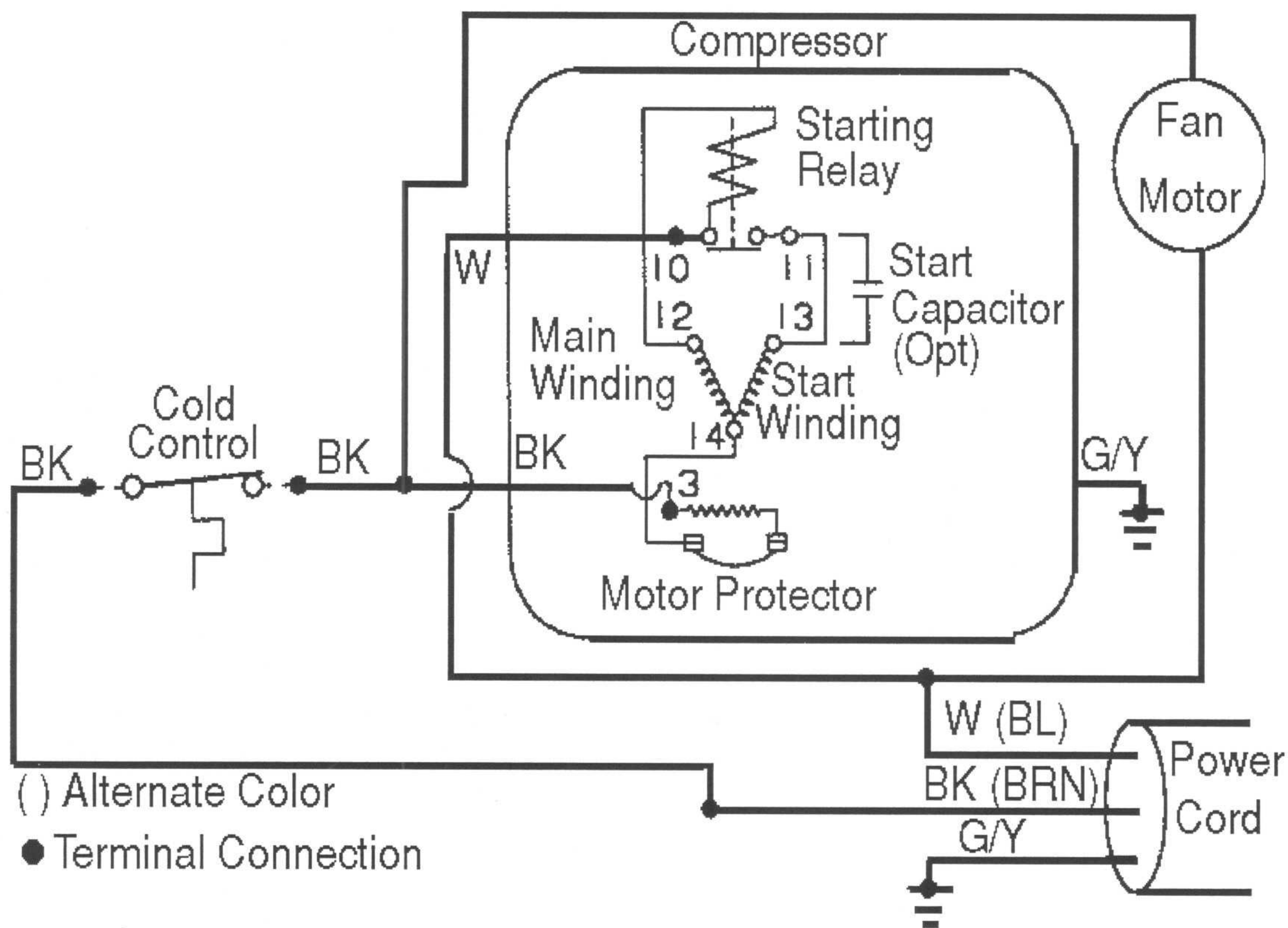


Item#	Description	P8AM-D100	P8AMS-D100	PAMS-001
1	Front Nose, Sandstone.....	031754-006	031754-006	031754-006
	Front Nose, Greystone.....	031754-005	031754-005	031754-005
	Front Nose, Stainless Steel.....	031754-007	031754-007	031754-007
2	Housing, Middle Sandstone.....	031753-002	031753-102	031753-002
	Housing, Middle Greystone.....	031753-001	031753-101	031753-001
	Housing, Middle Stainless Steel.....	031753-003	031753-103	031753-003
3	Panel, Side Left Sandstone.....	031751-002	031751-102	031751-002
	Panel, Side Left Greystone.....	031751-001	031751-101	031751-001
	Panel, Side Left Stainless Steel.....	031751-003	031751-103	031751-003
4	Panel, Side Right Sandstone.....	031750-002	031750-002	031750-002
	Panel, Side Right Greystone.....	031750-001	031750-001	031750-001
	Panel, Side Right Stainless Steel.....	031750-003	031750-003	031750-003
5	Panel, Front Sandstone.....	031752-002	031752-002	031752-002
	Panel, Front Greystone.....	031752-001	031752-001	031752-001
	Panel, Front Stainless Steel.....	031752-003	031752-003	031752-003
6	Bubble Valve FlexGuard.....	032799-005	032799-005	032799-005
	Bubbler Valve Stainless Steel.....	032799-001	032799-001	032799-001
	Nozzle Assembly.....	030029-005	030029-005	030029-005
7	Gasket.....	028706-031	028706-031	028706-031
8	Washer, Undertop.....	028706-030	028706-030	028706-030
9	Nut.....	026824-019	026824-019	026824-019
10	Cord Assy, Power Supply.....	026540-045	026540-045	N/A
11	Overload.....	031697-016	031697-016	N/A
12	Relay.....	033080-002	033080-002	N/A
13	Compressor Assy (includes 11&12).....	032834-003	032834-003	N/A
14	Cold Control.....	027040-007	027040-007	N/A
15	Top.....	031714-001	031714-001	031714-001
16	Screw, Torx Head.....	031875-003	031875-003	031875-003
17	Gasket, Waste.....	031756-001	031756-001	031756-001
18	Waste Assy.....	031892-001	031892-001	031892-001
19	Insulation, Waste Assy.....	031497-006	031497-005	031497-004
20	Insulation, Cooling Tank R/H.....	031898-001	031898-001	N/A
21	Insulation, Cooling Tank L/H.....	031899-001	031899-001	N/A
22	Cooling Tank Assy, Insulated.....	031775-003	031775-003	N/A
23	Shroud, Fan.....	031767-001	031767-001	N/A
24	Blade, Fan.....	024033	024033	N/A
25	Bracket, Fan Motor.....	026969	026969	N/A
26	Motor, Fan.....	027354-038	027354-038	N/A
27	Condenser.....	031766-001	031766-001	N/A
28	Drier, Refrigerant.....	031593-003	031593-003	N/A
29	Frame, Back/Bottom.....	031747-001	031747-001	031747-001
30	Strut, Support.....	031748-001	031748-001	031748-001
31	Angle, Cross Brace.....	031772-001	031772-001	031772-001
32	Hanger Bracket.....	031363-002	031363-002	031363-002
33	Shelf, Activation.....	031853-001	031583-001	031853-001
34	Push Button Assy, R/H.....	031951-001	N/A	N/A
	Push Button Assy, L/H.....	031951-002	N/A	N/A
35	Push Button, Front.....	031763-001	031763-001	031763-001
36	Body, Push Rivet.....	031856-001	031856-001	031856-001
37	Rivet, Push.....	031859-001	031859-001	031859-001
38	Screw, Adjust.....	031858-001	031858-001	031858-001
39	Rod, Activation.....	031854-002	031854-002	031854-002
40	Bushing, Rod.....	031857-002	031857-002	031857-002
41	Valve Body.....	032045-002	032045-002	032045-002
42	Stem Assy.....	031759-002	031759-002	031759-002
43	Wheel Arm, Valve.....	031765-001	031765-001	031765-001
44	Clip, U Type.....	030409-002	030409-002	030409-002
45	Tube Assy, Valve to Bubbler.....	031739-002	031739-002	031739-002
Not Shown	Heat Exchanger Assy.....	031869-002	031869-002	N/A

Models PR8AM, PRAM, & PR8AMSL ONLY - These units are used in the Reversed or Alternate Mounting Only - Only the parts below are affected. For all other parts see above.

		PR8AMS-D100	PRAMS-001
3	Panel, Side Left Sandstone.....	031751-202	031751-002
	Panel, Side Left Greystone.....	031751-201	031751-001
	Panel, Side Left Stainless Steel.....	031751-203	031751-003
4	Panel, Side Right Sandstone.....	031750-002	031750-202
	Panel, Side Right Greystone.....	031750-001	031750-201
	Panel, Side Right Stainless Steel.....	031750-003	031750-203
Not Shown	Water Supply Line.....	N/A	031506-007
	Waste Arm Assy.....	N/A	029611-003
	Brace Panel.....	N/A	032102-002
	Tube Assy, Inlet.....	N/A	032041-002
	Waste Tee.....	N/A	019733
	Waste Extension Tube.....	N/A	018066-008
	Supply Tube Extension.....	N/A	032312-001

**Wiring Diagram:
P8AM-D100, P8AMS-D100, PR8AMS-D100**



OASIS Corporation

265 N Hamilton Rd • PO Box 13150 • Columbus OH 43213
614/861-1350 • 614/861-0231 Fax
www.oasiswatercoolers.com