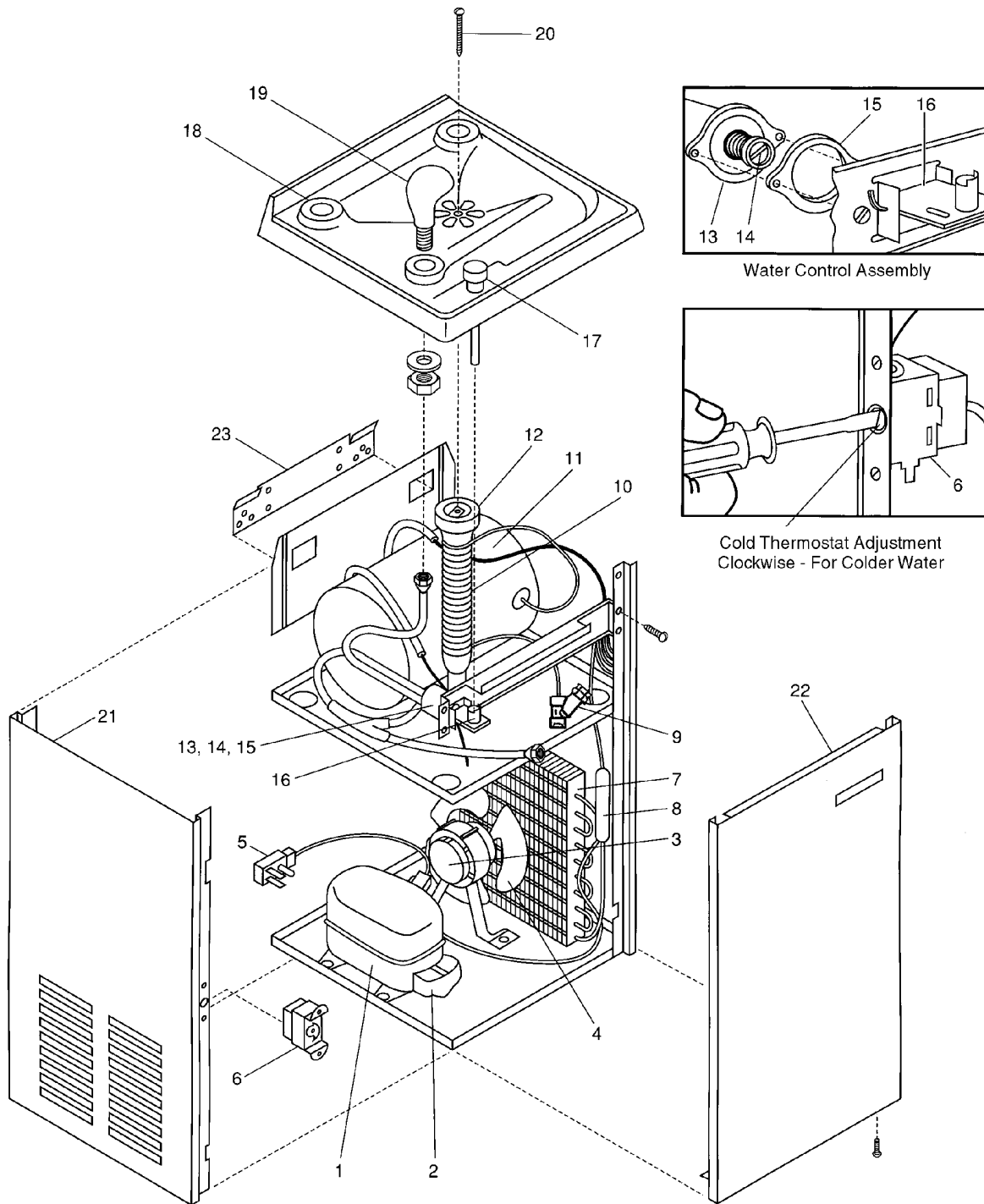


WALL MOUNTED WATER COOLER

NSW-8



Parts List for Water Cooler Model: NSW-8

ITEM	PART NUMBER	DESCRIPTION
1	AA00007-SP	Compressor A203704 R134a
2	AA00007-T1	Overload MRP57ALK-34
	AA00007-T2	Relay 9660-040-152
3	B153475	Fan Motor (eyelet)
	D036186-02	Fan Motor (uses Spade Connections)
4	C025756	Fan Blade
5	C026081	Wiring Harness (eyelet)
	C026392-01	Wiring Harness (uses Spade Connections)
	C026382-04	16" Wire Assembly (uses Spade Connections)
6	A016241	Cold Thermostat (eyelet)
	C026376-03	Cold Thermostat (uses Spade Connections)
7	C026102	Condenser
8	AA00004	Drier
9	A020938-01	"Y" Strainer
10	B153983	Precooler
11	C026072-SP	Evaporator
12	A015671	Drain Washer
13	10947-003-SP	Water Control Assembly
14	B153468-01	Cartridge
15	A015240	Fiber Washer
16	A015950-02	Toggle Lever
17	A017272-01	Push Button
18	A016519	Hole Cover
19	C026293-SP	Cobra Spout (metal)
	11432	Safety-Gard™ Spout Assy (Optional)
20	A016762	Drain Screw
21	D035802-19	Side Panel - Pewter
	D035802-31	Side Panel - Stainless Steel
22	D035806-19	Front Panel - Pewter
	D035806-31	Front Panel - Stainless Steel
23	B154077	Hanger Bracket

NOTE: Contact service department for information on compressors not shown on this page. This sheet cancels all previous lists for this model.