

MODELS HT1015 and HT1530 (OBSOLETE)

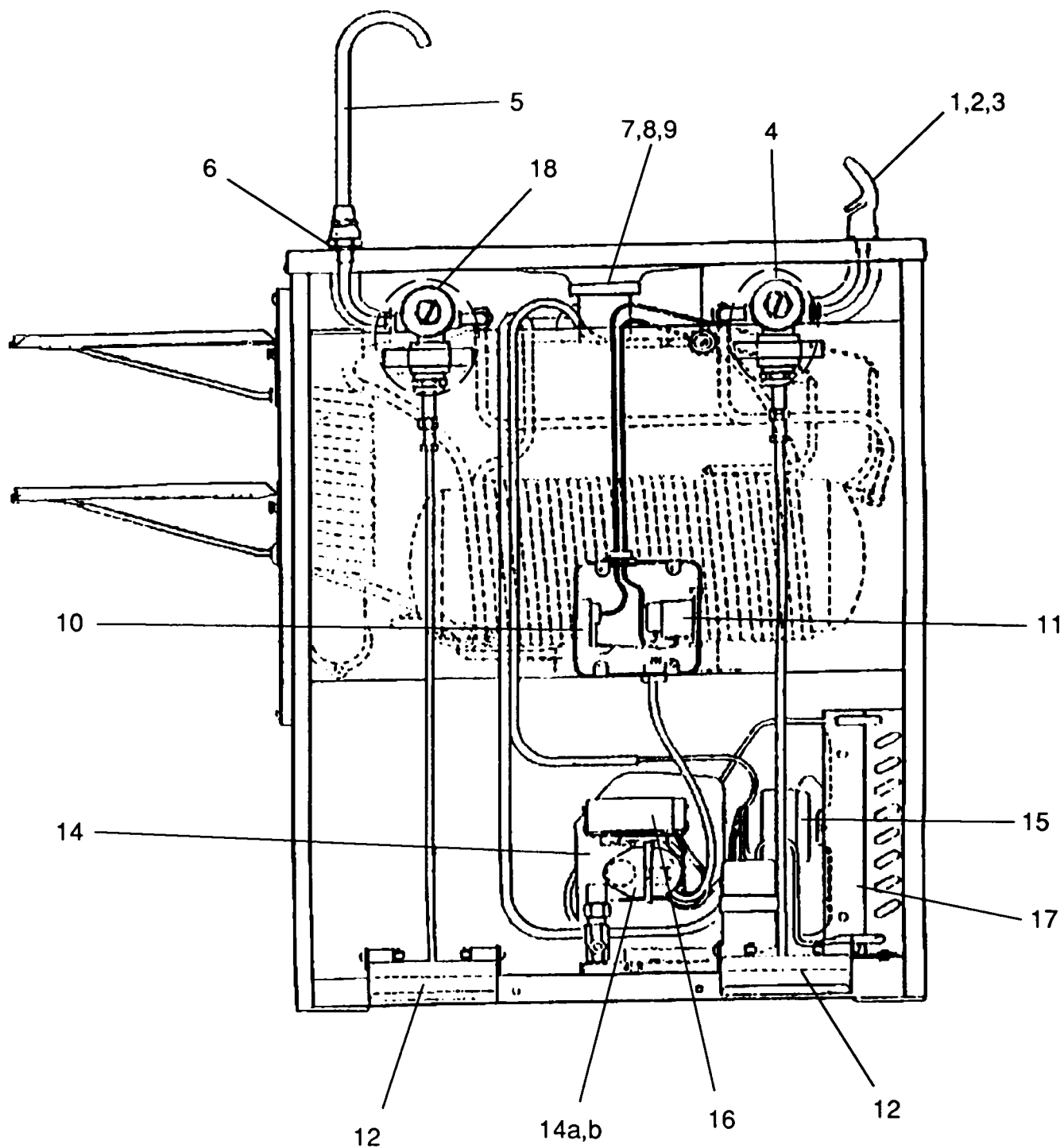
HT1015 and HT1530 PART LIST

REF NO.	PART NUMBER	DESCRIPTION	HT1015	HT1530
1	16-03165-08-640	Projector	X	X
2	10-03227-40-560	Projector Gasket (4 each)	X	X
3	16-06092-08-550	Projector Nipple (2 each)	X	X
4	60-14800-51-550	Regulator (2 each)*	X	X
4a	60-08050-51-550	Diaphragm Repair Kit (for item 4a)*	X	X
4b	60-14202-51-550	Stem Assembly (included in item 4)*	X	X
5	16-03310-08-640	Gooseneck	X	X
6	16-06310-08-640	Adapter	X	X
7	16-16373-08-640	Drain Plug	X	X
8	16-02705-08-640	Strainer Plate	X	X
9	10-01471-40-560	Waste Gasket	X	X
10	19-42339-51-550	Primary Temperature Control	X	X
11	19-15342-51-550	Secondary Temperature Control	X	X
12	10-06312-42-700	Foot Pedal (2 each)	X	X
13	16-01453-31-550	Tank Plug (not shown)	X	X
14	60-07907-51-550	Compressor Assembly	X	
14	NO LONGER AVAILABLE	Compressor Assembly		X
14a	19-07960-51-550	Relay (included in item 14)	X	
14a	NO LONGER AVAILABLE	Relay		X
14b	19-07924-51-550	Overload (included in item 14)	X	
14b	NO LONGER AVAILABLE	Overload		X
15	19-10019-51-550	Fan Motor Assembly	X	
15	NO LONGER AVAILABLE	Fan Motor Assembly		X
16	19-10864-82-550	Capacitor	X	
16	NO LONGER AVAILABLE	Capacitor		X
17	19-07945-51-550	Condenser	X	
17	19-06460-51-550	Condenser		X
18	60-14801-51-550	Regulator (2 each)*	X	X
18a	60-08050-51-550	Diaphragm Repair Kit (for item 18)*	X	X
18b	60-14202-51-550	Stem Assembly (included in item 18)*	X	X
19	10-06476-51-550	Expansion Valve		X
20	60-06321-51-550	Wasteline Assembly	X	X
ALL OTHER PARTS NO LONGER AVAILABLE				

XXX Please specify color when ordering. See Color Chart on page I-A for colors available.

*See Detailed Parts Section for further breakdown.

MODELS HT1015 and HT1530 (OBSOLETE)



To order parts, contact your nearest Halsey Taylor wholesaler or representative.

Continued product improvement makes specifications subject to change without notice.

Halsey Taylor.