

# WHEELCHAIR LEVEL • WALL MOUNTED • 8 GPH WATER COOLER WITH PUSH BAR CONTROLS

## MODEL NUMBERS

EHF-8-1      EWCF-8-1      TWCF-8-1  
EHFS-8-1    EWCFs-8-1    TWCFs-8-1

### INSTALLATION

1. Insure proper ventilation by maintaining 6" clearance from cabinet louvers to wall on each side of cooler.
2. Water inlet 3/8" IPS. Waste 1-1/4" O.D. tailpiece for slip trap. Contractor to supply waste trap in accordance with local codes. NOTE: Plumbing access panel to be installed to cover base opening after plumbing connections are completed.
3. Connecting lines to be of copper or brass, thoroughly flushed to remove all foreign matter before being connected to cooler. If flushing does not remove all particles, a water strainer should be installed in supply line.
4. Connect cooler to building supply line with a shut-off valve and install a union connection between the valve and cooler.
5. Electrical: insure power supply is identical in voltage, cycle and phase to that specified on cooler serial plate. Never wire compressor directly to the power supply.
6. These products are designed to operate on 20 psig to 105 psig supply line pressure. If inlet pressure is above 105 psig, a pressure regulator must be installed in the supply line. Any damage caused by reason of connecting this product to supply line pressures lower than 20 psig or higher than 105 psig is not covered by warranty.

### START-UP

1. Release air from tank by holding push bar open. Steady stream flow assures all air removed.
2. Stream height is factory set at 35 PSI. If supply pressure varies greatly from this, adjust screw on item 36 (Fig. 3) CW adjustment will raise stream and CCW adjustment will lower stream. For best adjustment, stream should hit basin approximately 6 1/2" from bubbler.
3. Rotate fan to insure proper clearance and free fan action.
4. Connect to electrical power.

### TROUBLE SHOOTING & MAINTENANCE

**Orifice Ass'y.:** Mineral deposits on orifice can cause water flow to spurt or not regulate. Mineral deposits may be removed from the orifice with a small round file not over 1/8" dia. or small diameter wire. Caution: **DO NOT** file or cut orifice material.

**Stream Regulator:** If orifice is free of mineral deposits, regulate flow as in "START UP" instructions above. If the stream is low when one side "PUSH BAR" is depressed and normal when the other side is depressed, adjust by bending the linkage (Item 44, Fig. 4). Increase the length of the linkage of the side bar that does not give the correct stream height. If the stream height is low when both side "Push Bars" are depressed, adjust position of cartridge holder (Item 37, Fig. 3) forward. (Remove front "Push Bar" to make this adjustment.)

**Front Push Bar Adjustment:** To adjust movement of push bar on Front Push Bar Models only, loosen the bottom hex nut on push bar stop (Item 54, Fig. 5) and turn upper hex nut up or down to reach desired adjustment. Retighten bottom hex nut to maintain adjustment. If water flow is not correct, see "Stream Regulator" (above).

**Side Push Bar Alignment:** If side "Push Bars" are not in alignment with the side panels, adjustment can be made by removing the front panels, and loosening the two push bar mounting screws (Item 50, Fig. 4). Make required adjustment and tighten the screws.

**Temperature Control:** Factory set for 50° F water (± 5°) under normal conditions. For colder water, adjust screw on item 21 CW.

**Ventilation:** Cabinet louvers and condenser fins should be periodically cleaned with brush, air hose or vacuum cleaner. Excess dirt or poor ventilation can cause no cold water and compressor cycling on the compressor overload protector.

**Lubrication:** Motors are lifetime lubricated.

**Storage or Return Shipment:** If the cooler is removed from service, the water should be drained from the system. To drain, remove the drain plug from the bottom of the evaporator tank (Item 26, Fig. 1) and depress the front push bar (regulator valve), until water stops flowing.

Item No.	Part No.	Description
1	21222-C	Basin
	21223-C	Basin—Bronzonte
2	50186-C	Shroud—Fan
3	60199-C	Condenser
4	30271-C	Motor—Fan
	30074-C	Blade—Fan
	20617-C	Bracket—Motor Mtg.
	70018-C	Nut—Fan Blade
	70261-C	Silencer—Fan Blade
	70287-C	Screw—Motor Mtg.
5	50222-C	Bubbler Assy. Complete
	50374-C	Bubbler Assy. Complete—Bronzonte
6	40322-C	Orifice Assy.
	40066-C	Orifice Assy.—Bronzonte
7	40177-C	Adapter
	40358-C	Adapter—Bronzonte
8	50187-C	"O" Ring
9	50221-C	Guard
10	50183-C	Bubbler "O" Ring
11	50188-C	Pedestal
	50373-C	Pedestal—Bronzonte
12	40131-C	Forging
13	70012-C	Lock Nut
14	60194-C	Drier
15-20	SEE TABLE	SEE TABLE
21	50144-C	Grommet—Compressor
22	70154-C	Mtg. Washer—Compressor
23	70184-C	Mtg. Pin—Compressor
24	30504-C	Control—Cold
25	30232-C	Cord—Power
26	40129-C	Waste Line
27	50074-C	Waste Line Gasket
28	40384-C	Strainer Assy.—Basin
	40385-C	Strainer Assy.—Basin—Bronzonte
29	60784-C	Evaporator Tank
30	61231-C	Heat Exchanger
31	60291-C	Inlet Screen (Not Shown)
		FOR 220/240V, 50 Hz USE
4	30282-C	Motor—Fan
15*	40331000	Compressor (Tecumseh)
	30652-C	Compressor (Aspera)
16	40354009	Relay (Tecumseh Compr.)
	30261-C	Relay (Aspera Compr.)
17	40405012	Overload (Tecumseh Compr.)
	30809-C	Overload (Aspera Compr.)
18	30180-C	Overload Spring (Tecumseh Compr.)
	30233-C	Overload Spring (Aspera Compr.)
19	30181-C	Terminal Cover (Tecumseh Compr.)
	30235-C	Terminal Cover (Aspera Compr.)
20	30182-C	Bale Strap (Tecumseh Compr.)
	30234-C	Bale Strap (Aspera Compr.)
25	30594-C	Cord—Power

\* INCLUDES RELAY & OVERLOAD. IF UNDER WARRANTY, REPLACE WITH SAME COMPRESSOR USED IN ORIGINAL ASSEMBLY.

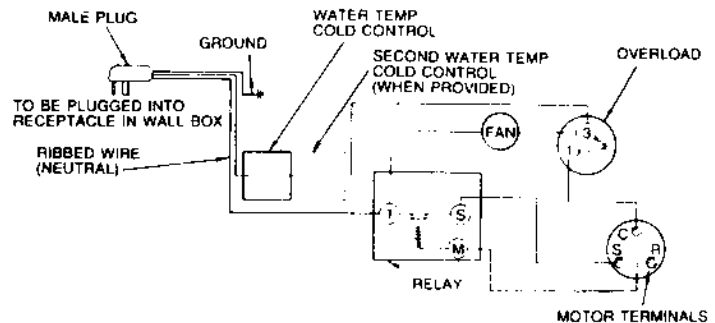
NOTE: All correspondence pertaining to any of the above water coolers orders for repair parts **MUST** include model number and serial number of cooler, name and part number or replacement part.

PRODUCT MAY BE MANUFACTURED UNDER U.S. PATENT NO. 4,481,971

When Equipped With Aspera Compressor Model #A5160C B/M#144NG30		
15*	30666-C	Compressor (Service Pack)
16	30419-C	Relay 9660-042-171
17	30120-C	Overload MRT26ALK-69
18	30233-C	Overload Spring
19	30235-C	Terminal Cover
20	30234-C	Bale Strap

When Equipped With Tecumseh Compressor Model #AE3425D B/M#AE170BT-171-A		
15*	30914-C	Compressor (Service Pack)
16	30143-C	Relay 9660-042-172
17	30250-C	Overload MRP36ALK-69
18	30180-C	Overload Spring
19	30181-C	Terminal Cover
20	30182-C	Bale Strap

When Equipped With Tecumseh Compressor Model #AE3425D B/M#AE170BS-718-A2		
15*	30915-C	Compressor (Service Pack)
16	30143-C	Relay 9660-042-172
17	30907-C	Overload MRP36ALZ-69
18	30180-C	Overload Spring
19	30181-C	Terminal Cover
20	30182-C	Bale Strap



(CONT'D)  
**WHEELCHAIR LEVEL • WALL MOUNTED • 8 GPH WATER COOLER  
 WITH PUSH BAR CONTROLS**

**MODEL NUMBERS**

**EHF-8-1    EWCF-8-1    TWCF-8-1**  
**EHFS-8-1    EWCF-8-1    TWCF-8-1**

Item No.	Part No.	Description
32	70283-C	Retaining Clip
33	50036-C	Push Bar Bumpers
34	21397-C	Front Push Bar Assy.—Vinyl Units
	21517-C	Front Push Bar Assy.—Stainless Steel Units
	21398-C	Front Push Bar Assy.—Bronzetone Units
35	50198-C	Bushing
36	90674-C	Handicap Emblem Insert
37	50079-C	Panel Bumpers
38	40045-C	Hex Nut
39	10031-C	Retaining Nut
40	60001-C	Regulator—Alt.
	61314-C	Regulator—Prim.
41	40298-C	Cartridge Housing Assy.
42	21299-C	Base Assy
43	70278-C	Pivot Rod—Front
44	89099000	Sound Dampening Material
45	70281-C	Pivot Rod—Side
46	70282-C	Mtg. Clip

Item No.	Part No.	Description
47	70279-C	Linkage—Right
	70280-C	Linkage—Left
48	70208-C	Basin Screw
	70209-C	Basin Screw—Bronzetone
49	70055-C	Basin Clip
50	50123-C	Panel Bumper
51	21399-C	Side Push Bar Assy.—Right—Vinyl Units
	21400-C	Side Push Bar Assy.—Left—Vinyl Units
	21518-C	Side Push Bar Assy.—Right—Stainless Steel Units
	21519-C	Side Push Bar Assy.—Left—Stainless Steel Units
	21401-C	Side Push Bar Assy.—Right—Bronzetone Units
	21402-C	Side Push Bar Assy.—Left—Bronzetone Units
52	21298-C	Side Push Lever
53	70002-C	Mtg. Screw
54	70142-C	Mtg. Clip
55	20430-C	Bracket—Lower (Wall Mtg.)
56	20774-C	Bracket—Upper (Wall Mtg.)
57	21815-C	Push Bar Stop Assy. (Fig. 5)

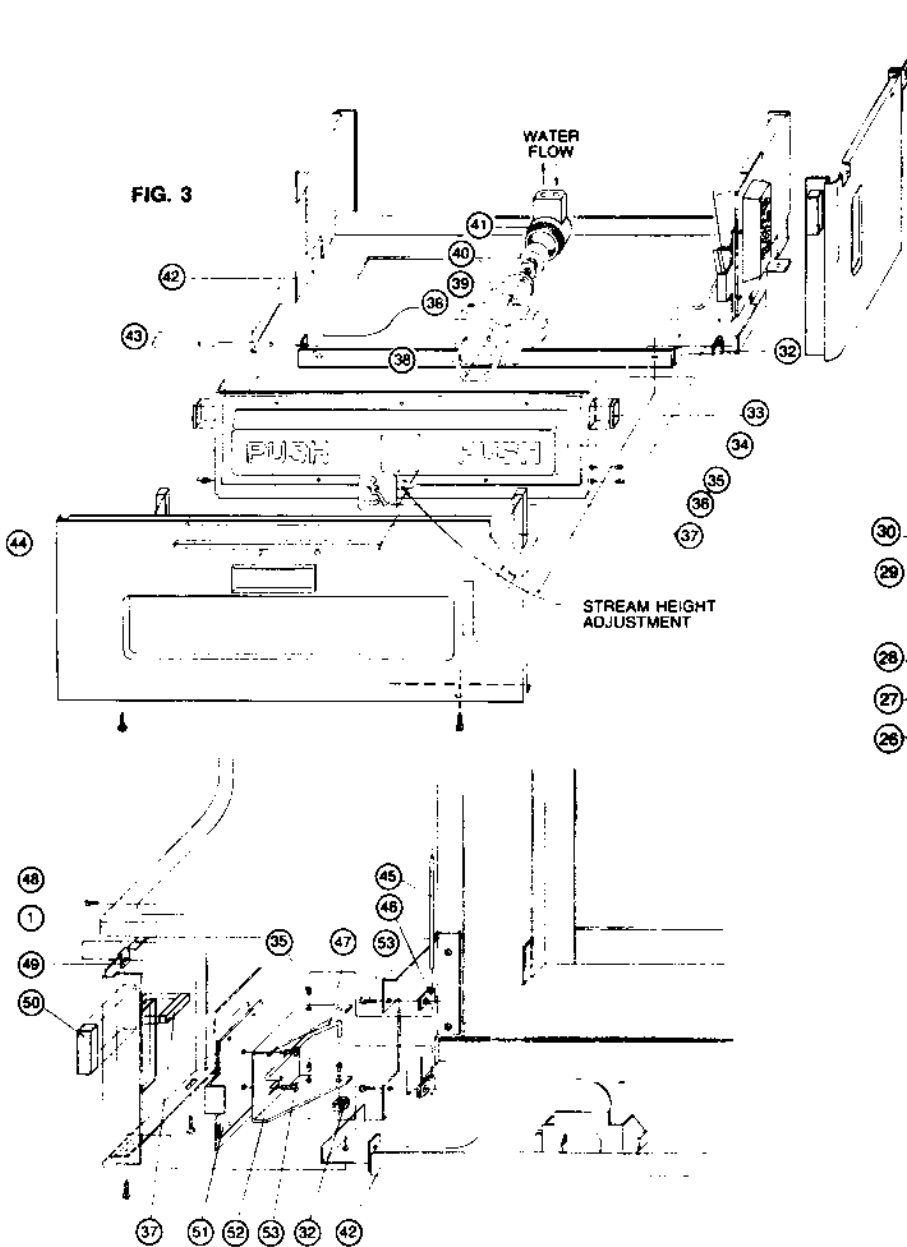


FIG. 3

FIG. 4

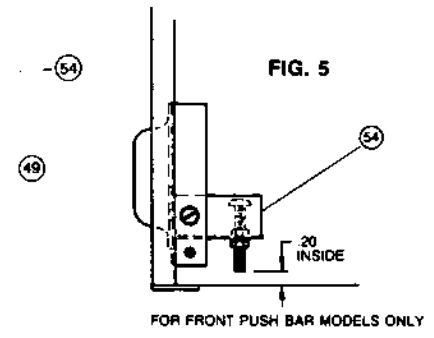


FIG. 5

FOR FRONT PUSH BAR MODELS ONLY

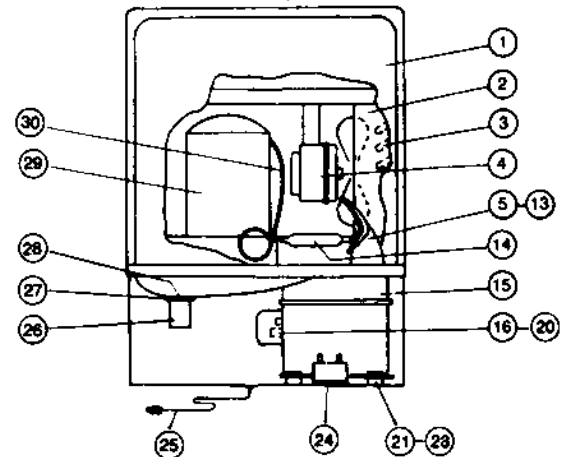


FIG. 1

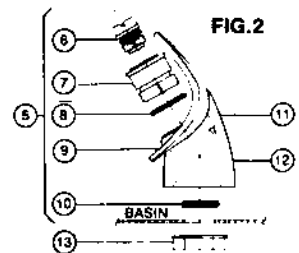


FIG. 2

NOTE  
 WHEN INSTALLING REPLACEMENT GUARD  
 AND PEDESTAL . . . TIGHTEN ADAPTER (#40177-C)  
 ONLY TO HOLD PARTS SNUG IN POSITION.  
 DO NOT OVERTIGHTEN.