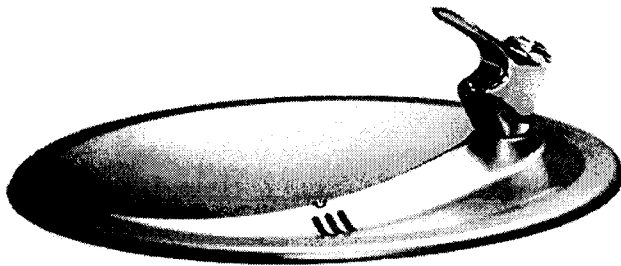




Illustrated Parts Breakdown

Models: **FLF300R**



SPECIFICATIONS

Model: FLF300R

Size: 14"W x 14"D x 3 1/4"H

Shipping Weight: 9 lbs.

Specifications subject to change without notice.

OASIS Corporation

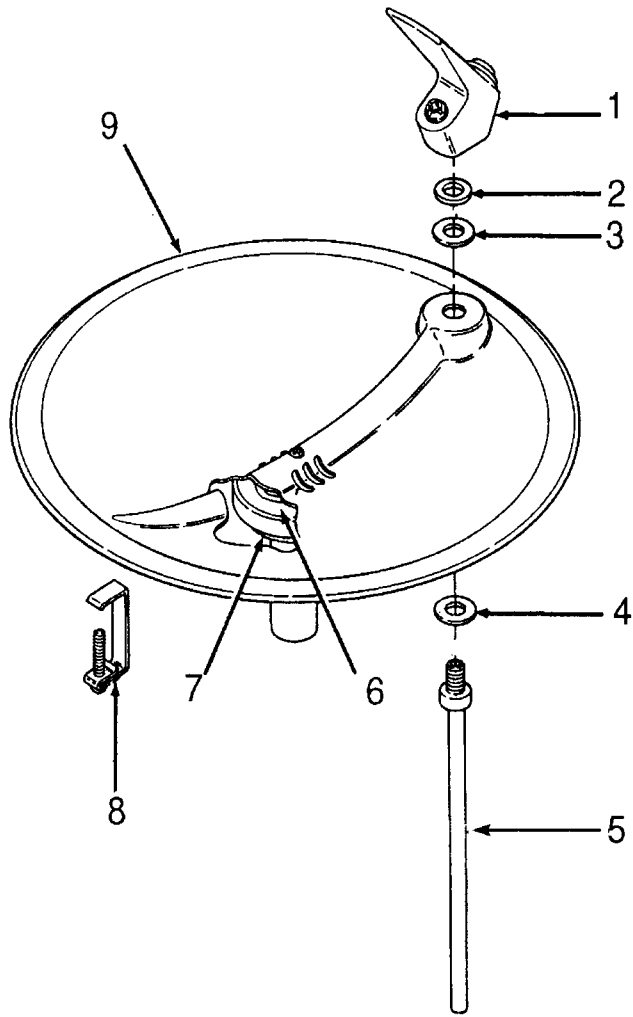
265 N Hamilton Rd • PO Box 13150

Columbus OH 43213

614/861-1350 • 614/861-0231 Fax

OASIS® is a registered trademark of OASIS Corporation
The three palm trees are a trademark of OASIS Corporation

©1999 OASIS Corporation



Item#	Description	Part#
1	Bubblr Valve.....	024572-001
2	Gasket.....	028706-024
3	Gasket.....	028706-006
4	Gasket, Under Top.....	028706-001
5	Spud & Tube Assy.....	027806-002
6	Waste Gasket.....	027614-001
7	Waste Assy.....	018226
8	Mounting Clip.....	027798-001 (4)
9	Bowl, Fountain.....	030084-001