



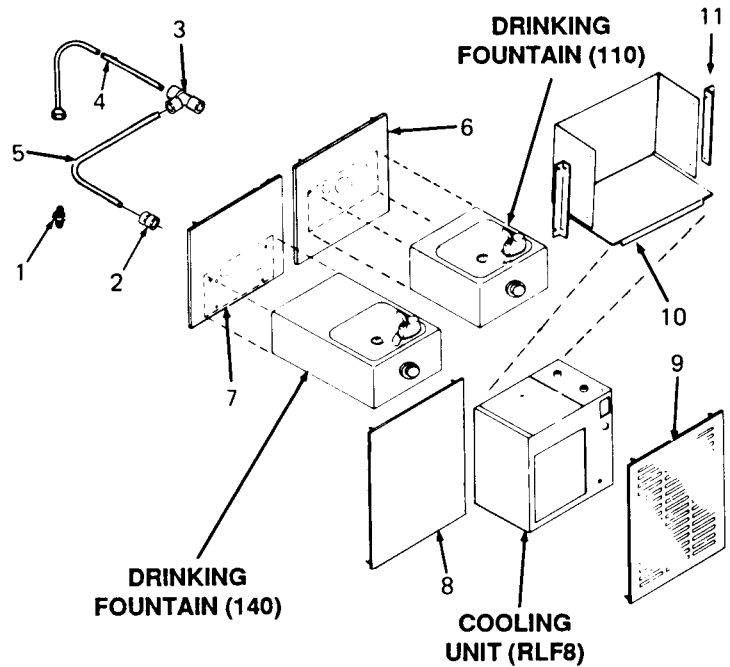
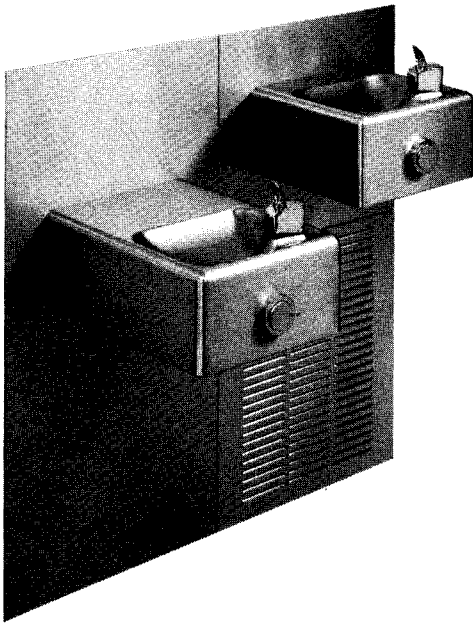
AQUARIUS

Kelvinator

White-Westinghouse®

ILLUSTRATED PARTS BREAKDOWN

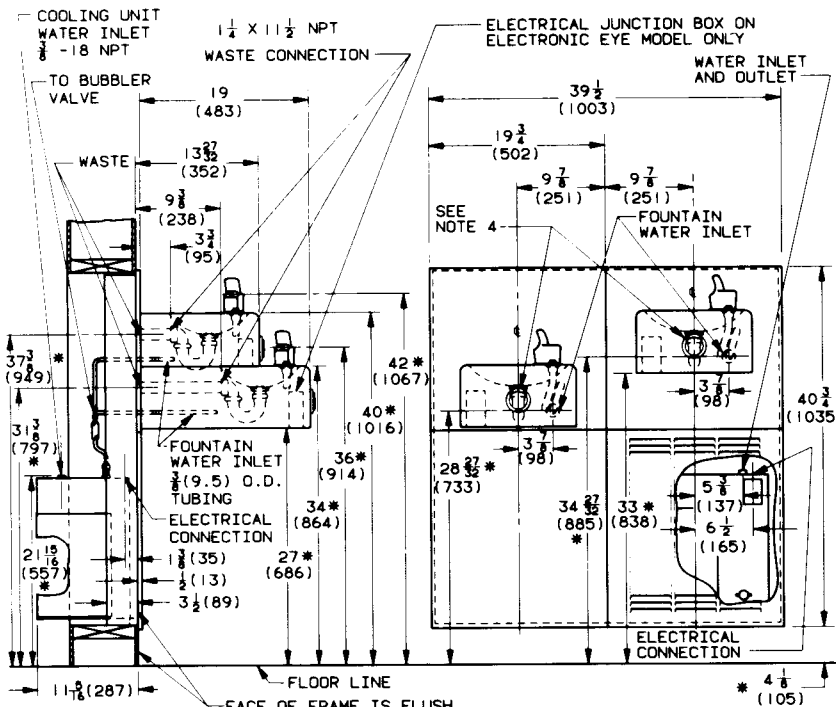
**MODULAR BI-LEVEL WATER COOLER MODELS:
M8SCPM M8SCEE**



PARTS LIST

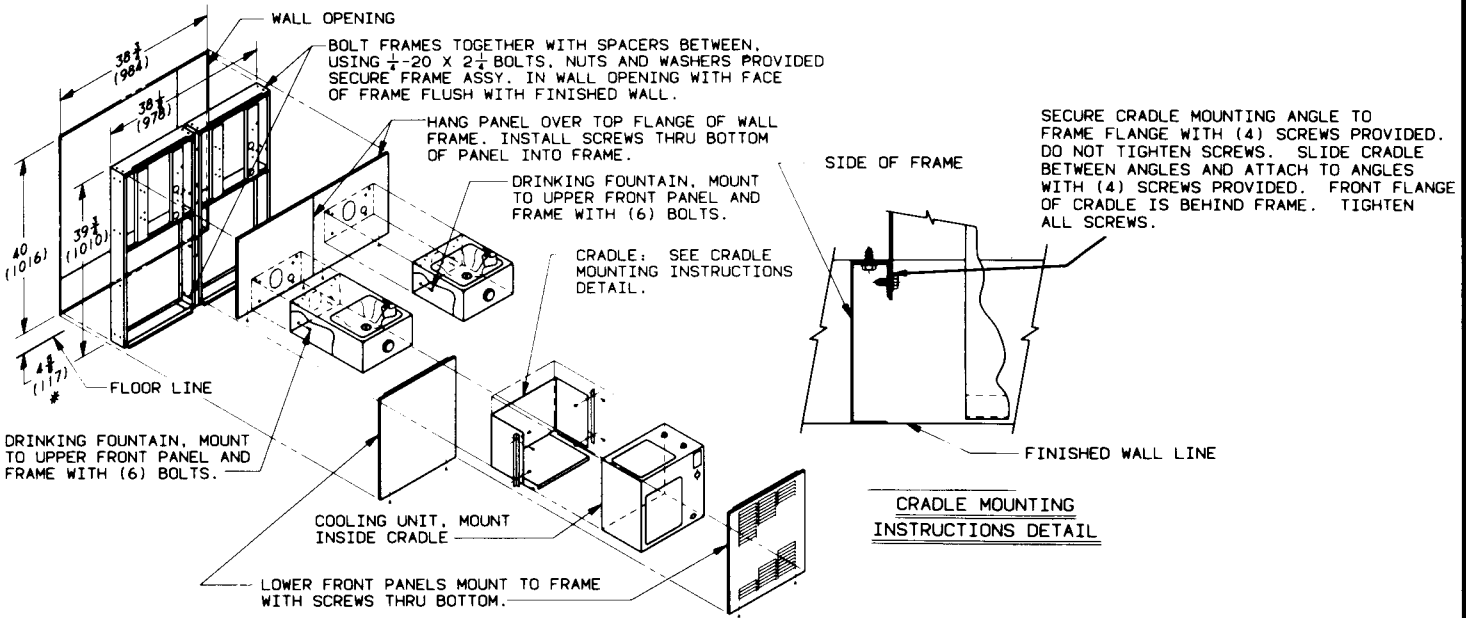
ITEM NO.	DESCRIPTION	
1	Connector Male Flare Fitting, **3/8 OD x 3/8 NPT	021558
2	Coupling, 3/8 X 3/8	029170-001
3	Tee Solder Fitting, 3/8	007569
4	Unit to Tee Tube Assembly	029266-001
5	Fountain to Fountain Tube Assembly	029265-001
6	Upper Panel Assembly (110)	027624-006
7	Upper Panel Assembly (140)	027624-005
8	Lower Panel Assembly	027696-001
9	Louvered Lower Panel	027697-001
10	Cradle Assembly	025733
11	Cradle Mounting Angle	026210
	Cooling Unit (RLF8)	Form No. 2314
	Drinking Fountain (110 & 140)	Form No. 6033

ROUGHING-IN & DIMENSIONAL DRAWING



- NOTES:
1. ALL DIMENSIONS ARE IN INCHES.
 2. DIMENSIONS IN PARENTHESIS () ARE IN MILLIMETERS.
 3. STOP VALVE NOT PROVIDED WITH UNIT.
 4. 2" (51) DIA. PUSHBUTTON OR TWO 3/8" (14) DIA. ELECTRONIC EYES. PUSHBUTTON SHOWN.
 - * 5. RECOMMENDED ADULT HEIGHT INSTALLATION SHOWN. ADJUST VERTICAL DIMENSIONS AS REQUIRED TO COMPLY WITH FEDERAL, STATE, AND LOCAL CODES.

WALL OPENING & ASSEMBLY



OASIS® & AQUARIUS® are registered trademarks of EBCO Manufacturing Company
 The trademarks Kelvinator® and White-Westinghouse® are used under license from White Consolidated Industries, Inc.

EBCO® MANUFACTURING COMPANY

265 N. Hamilton Rd. • P.O. Box 13150 • Columbus, OH 43213-0150 • 614/861-1350 • Fax: 614/861-5017

Printed in U.S.A.
 Copyright 1994 EBCO Manufacturing Co.