



AQUARIUS
AQUARIUS

Kelvinator

White-Westinghouse®

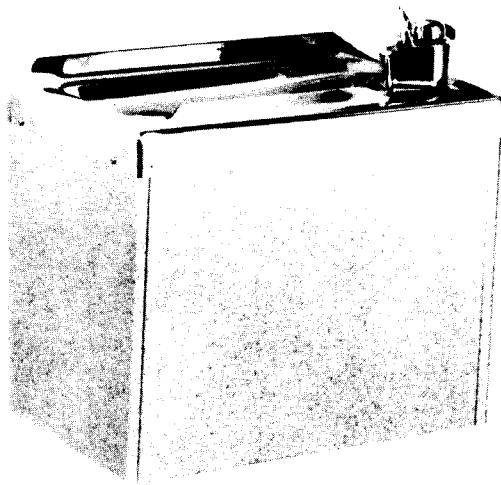
ILLUSTRATED PARTS BREAKDOWN

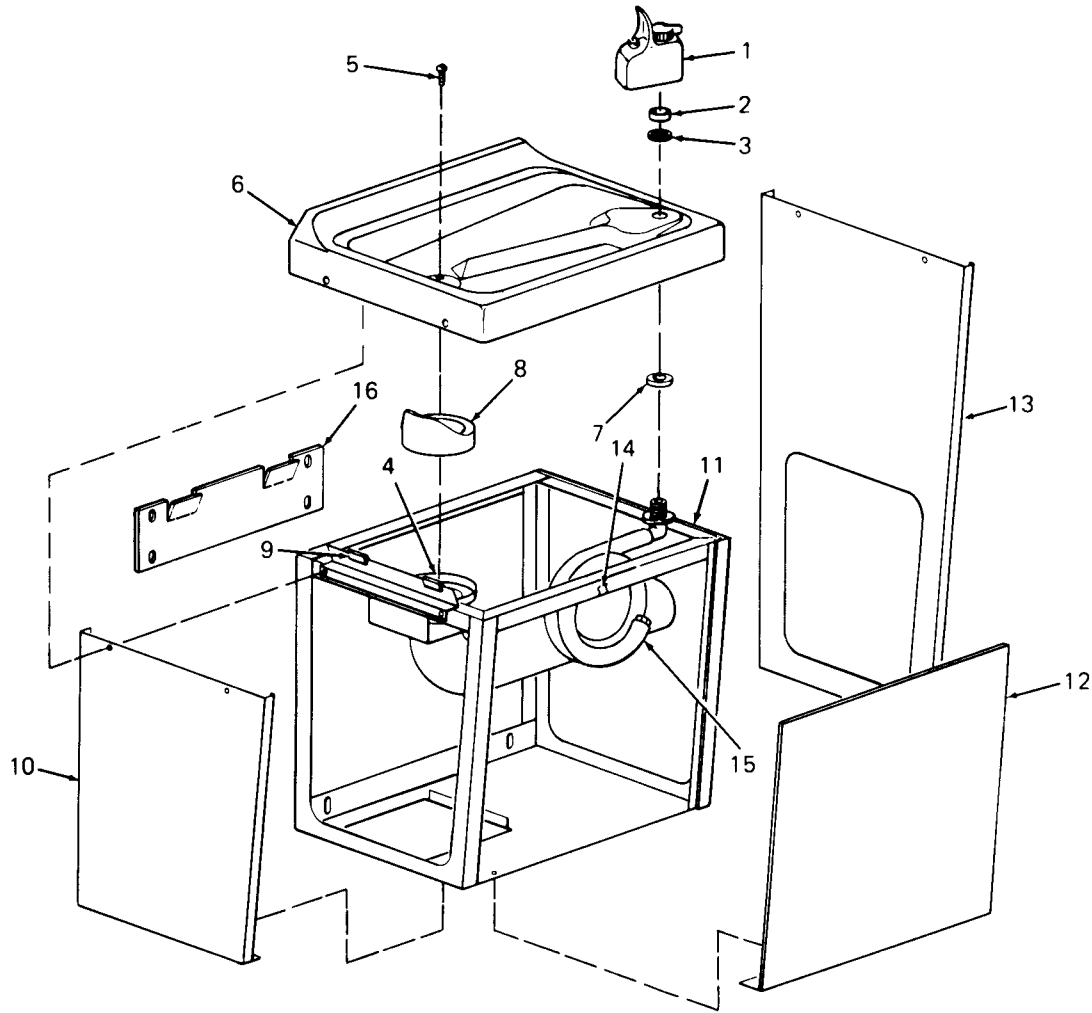
**DRINKING FOUNTAIN MODELS:
DFM-001 PLFCMSL PLFCMSL-001**

SPECIFICATIONS

Size	16" H., 17" W., 13" D.
Shipping Weight (Approx)	35 LBS.

Specifications subject to change without notice.





ITEM NO.	DESCRIPTION	ITEM NO.	DESCRIPTION
1	12000 Valve Assembly	026551-002	
	12000A Valve Assembly (PLF-001 Series)	030774-002	
2	Valve Body Gasket	008983	
3	Friction Washer	009281	
4	Waste Assembly	019708	
5	Screw	026655-002	
6	Top	028846-003	
7	Bubbler Spud Gasket	028706-001	
8	Waste Gasket	018050	
9	Spacer Angle	018072	
10	Left Side Panel - Sand	026935-029	
	Left Side Panel - Stainless Steel	026935-025	
	Left Side Panel - Tan	026935-001	
11	Right Side Panel - Sand	019722-002	
	Right Side Panel - Stainless Steel	019725	
	Right Side Panel - Tan	021868	
12	Front Panel - Sand	026925-016	
	Front Panel - Stainless Steel	026925-014	
	Front Panel - Tan	026925-001	
13	Companion Side Panel - Sand	020206-002	
	Companion Side Panel - Stainless Steel	020208	
	Companion Side Panel - Tan	021865	
14	Cable Clip	018156-001	
15	Water Supply Tube Assembly	029623-001	
16	Hanger	016698-002	

NOT SHOWN

Plumbing Kit 022006

OASIS® & AQUARIUS® are registered trademarks of EBCO Manufacturing Company
 The trademarks Kelvinator® and White-Westinghouse® are used under license from White Consolidated Industries, Inc.

EBCO® MANUFACTURING COMPANY

265 N. Hamilton Rd. • P.O. Box 13150 • Columbus, OH 43213-0150 • 614/861-1350 • Fax 614/861-5017

Copyright 1993 EBCO Manufacturing Co.