



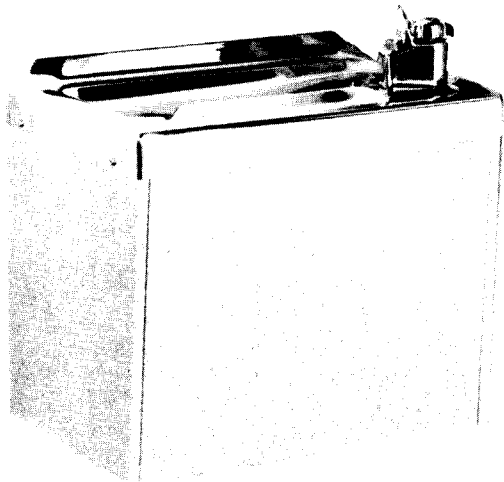
**AQUARIUS**

*Kelvinator*

White-Westinghouse®

# ILLUSTRATED PARTS BREAKDOWN

**ON-A-WALL DRINKING  
FOUNTAIN MODELS:  
CFM-001 PLFCM PLFCM-001**

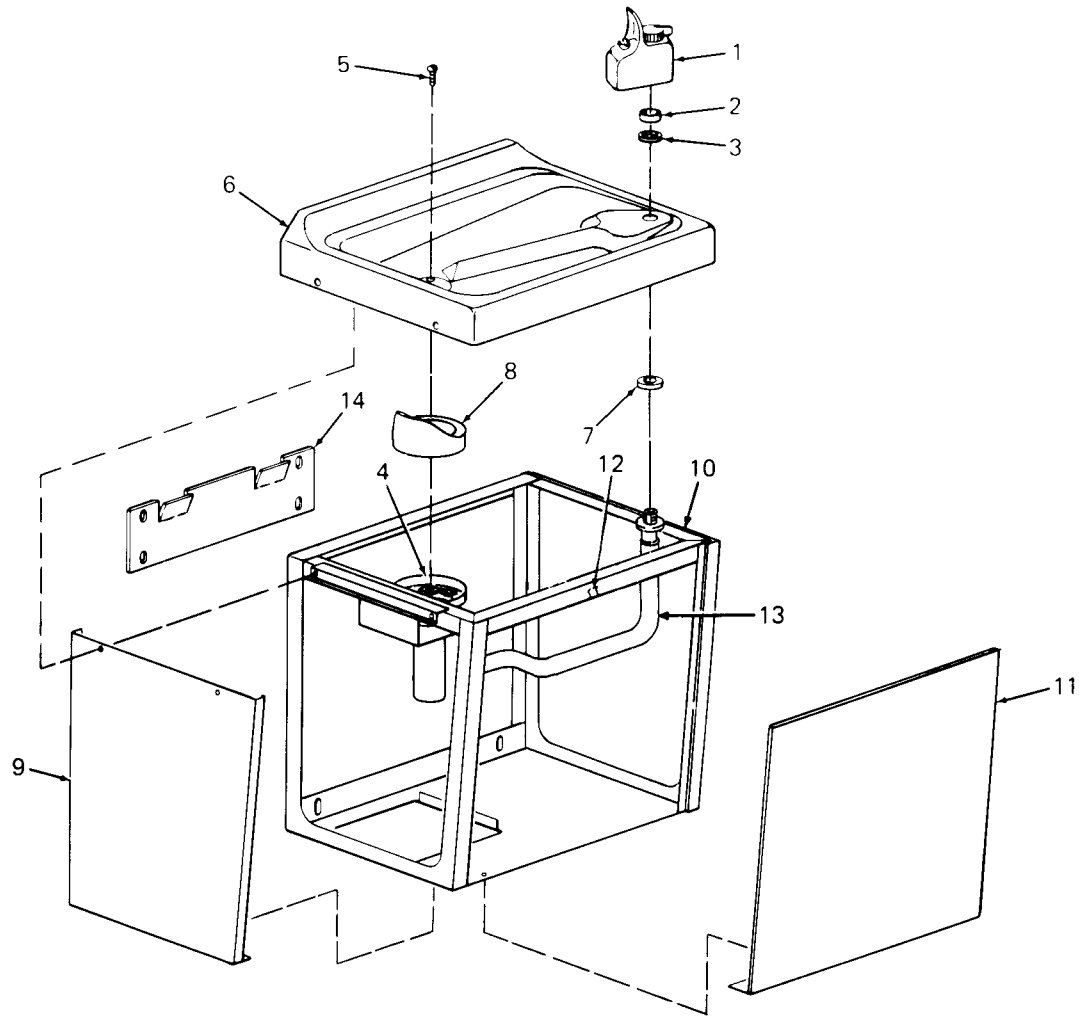


## SPECIFICATIONS

Size  
Shipping Weight (Approx)

16" H., 17" W., 13" D.  
24 LBS.

Specifications subject to change without notice.



ITEM NO.	DESCRIPTION	CFM PLFCM	ITEM NO.	DESCRIPTION	CFM PLFCM
1	12000 Valve Assembly .....	026551-002	10	Right Side Panel - Sand .....	026935-030
	12000A Valve Assembly (PLF-001 Series) .....	030774-002		Right Side Panel - Charcoal .....	026935-018
2	Valve Body Gasket .....	008983		Right Side Panel - Walnut .....	026935-022
3	Friction Washer .....	009281		Right Side Panel - Stainless Steel .....	026935-026
4	Waste Assembly .....	018226		Right Side Panel - Tan .....	026935-002
5	Screw, #8-32 x 1-1/4" - Brass .....	026655-002	11	Front Panel - Sand .....	026925-016
6	Top .....	028846-003		Front Panel - Charcoal .....	026925-010
7	Bubbler Spud Gasket .....	028706-001		Front Panel - Walnut .....	026925-012
8	Waste Gasket .....	018050		Front Panel - Stainless Steel .....	026925-014
9	Left Side Panel - Sand .....	026935-029		Front Panel - Tan .....	026925-001
	Left Side Panel - Charcoal .....	026935-017	12	Cable Clip .....	018156-001
	Left Side Panel - Walnut .....	026935-021	13	Water Supply Assembly .....	029622-001
	Left Side Panel - Stainless Steel .....	026935-025	14	Hanger .....	016698-002
	Left Side Panel - Tan .....	026935-001			

OASIS® & AQUARIUS® are registered trademarks of EBCO Manufacturing Company  
 The trademarks Kelvinator® and White-Westinghouse® are used under license from White Consolidated Industries, Inc.

**EBCO**® MANUFACTURING COMPANY

265 N. Hamilton Rd. • P.O. Box 13150 • Columbus, OH 43213-0150 • 614/861-1350 • Fax: 614/861-5017

Copyright 1993 EBCO Manufacturing Co.